

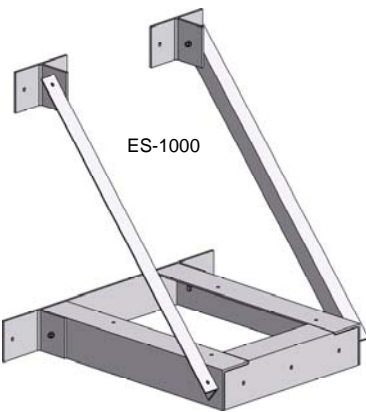
BBU and Equipment Support for Roof Installations

Below are stock items designed for the common concrete and brick wall. Dimensions are close estimates. Please call for the exact measurements.

In addition to the standard line, new products will be fabricated based on project engineer's design, with a quick turn around time.

Material

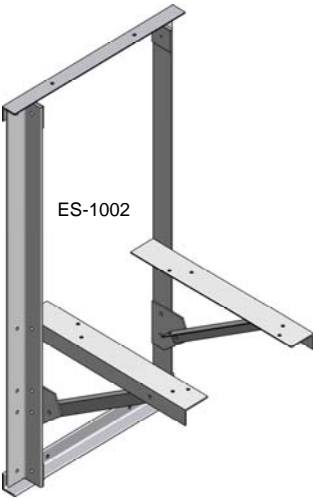
- Steel: CSA G40.21
- Hardware: Gr. 5
- Pipes: HDG Sch40
- Material is hot dip Galvanized after fabrication



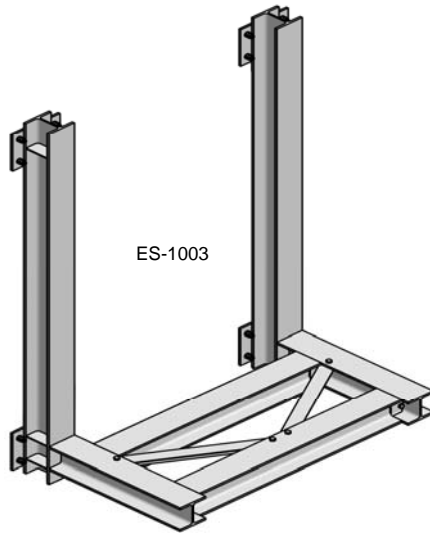
ES-1000



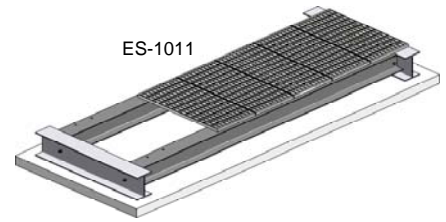
ES-1001



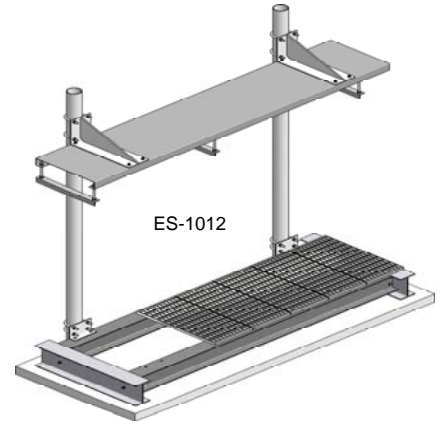
ES-1002



ES-1003



ES-1011



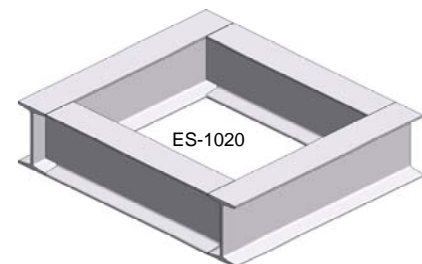
ES-1012



ES-1013



ES-2013



ES-1020

P/N	DESCRIPTION	PRICE (*)
ES-1000	Wall Chair, Basic (840 x 1090mm)	\$600
ES-1001	Wall Chair, Basic with Grating (735 x 900mm)	\$700
ES-1002	Wall Chair, Medium for Brick Walls (700 x 900mm)	\$750
ES-1003	Wall Chair, W15 I-Beam	\$850
ES-1011	H-Frame, with Grating (1200 x 2400mm)	\$1400
ES-1012	H-Frame, with Ice Bridge (1200 x 2400mm)	\$1800
ES-1013	H-Frame, with optional GPS Pipe (1600 x 1800mm)	\$1200
ES-2013	H-Frame, with optional two GPS Pipes (1600 x 1800mm)	\$1300
ES-1020	Equipment Support, Floor Frame (790 x 900mm)	\$500

* Bolts and U-Bolt assembly included

REV11-1