

Modular Roof Mount - Triple Pole, , Non-penetrating

The non-penetrating modular design is ideal for cell and microwave installations. Modular base allows for endless configurations supporting various antenna loads; the formations shown below are just a few

Single base 32 x 35"

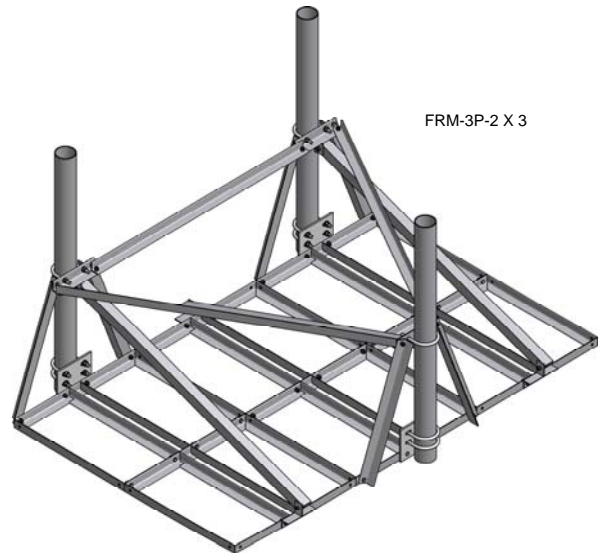
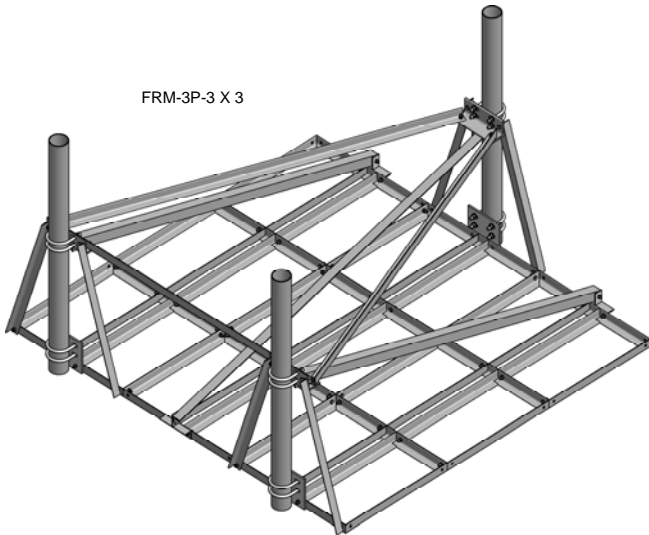
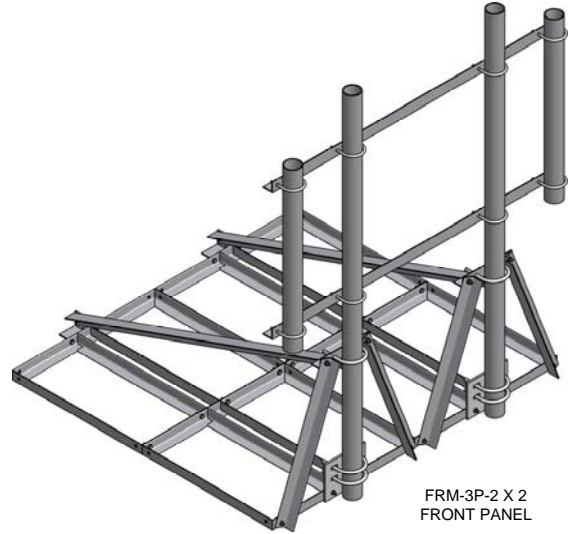
Each base accommodates max no. of 8 concrete blocks of single stack

Roof mount supports nominal pipe sizes ranging from 2.5" to 4"

This product is a stock item, available same or next day

MATERIAL

- Steel: CSA G40.21
- Hardware: Gr. 5
- Pipes: HDG Sch40
- Material is hot dip Galvanized after fabrication



P/N	DESCRIPTION	P/N	DESCRIPTION
FRM-3P 2 X 2	Modular Roof Mount: 3P 2 X 2 Front Panel	9112-40-HDG	4.5" OD Pipe Sch. 40 HDG
FRM-3P 2 X 3	Modular Roof Mount: 3P 2 X 3	9006-40-HDG	4" OD Pipe Sch. 40 HDG
FRM-3P 3 X 3	Modular Roof Mount: 3P 3 X 3	9008-40-HDG	3.5" OD Pipe Sch. 40 HDG
		9001-40-HDG	2-7/8" OD Pipe Sch. 40 HDG
		9116-40-HDG	2-3/8" OD Pipe Sch. 40 HDG
		-	U-Bolt Assembly for 4.5" OD Pipe
		-	U-Bolt Assembly for 4" OD Pipe
		-	U-Bolt Assembly for 3.5" OD Pipe
		-	U-Bolt Assembly for 2-7/8" OD Pipe