

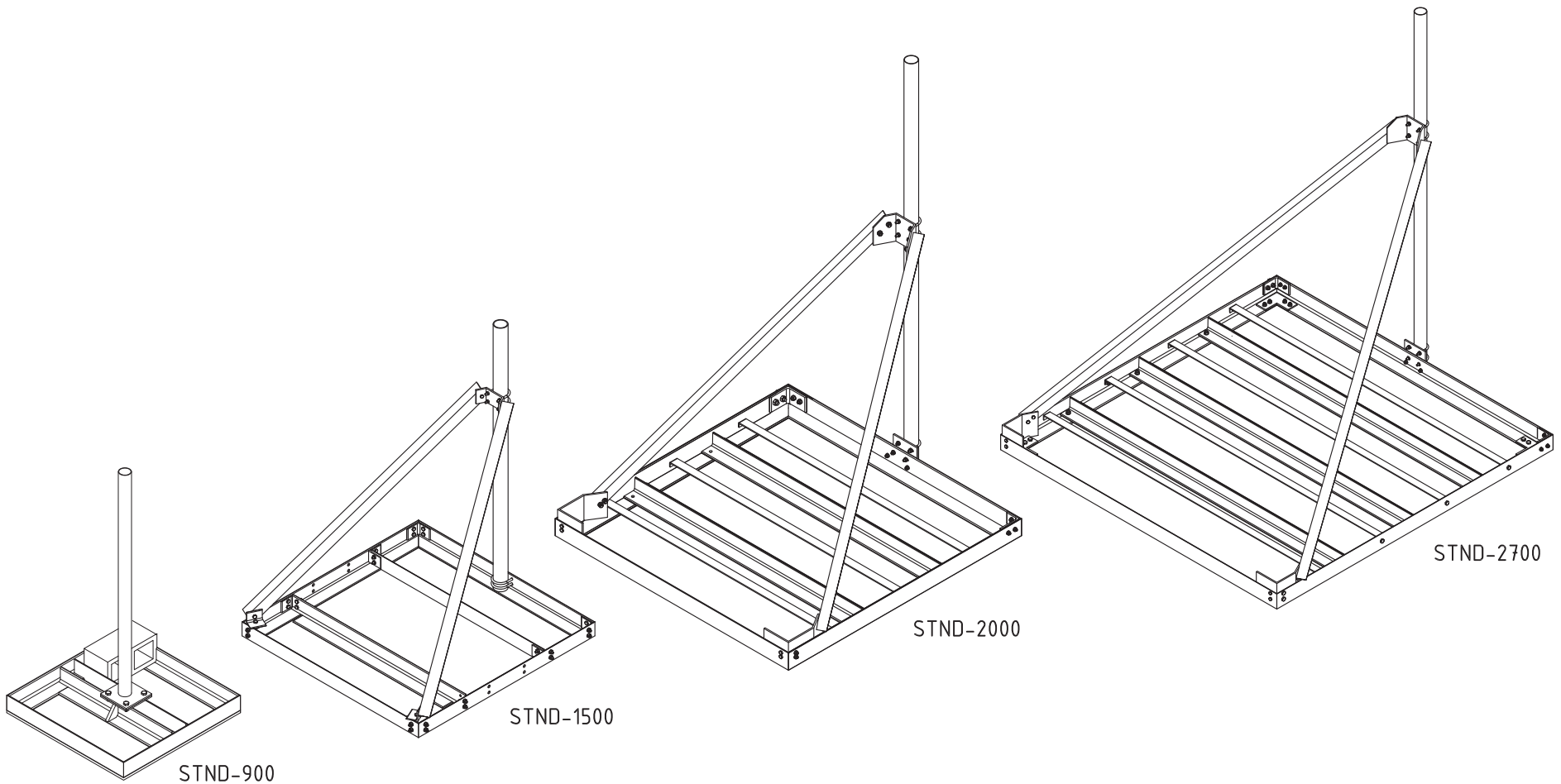


Tower & Roof Mount Accessories  
Canada Edition



1 ...	<b>Ballast Roof Mount (STND Model)</b>	45 ...	Welded Pipe Stand-Off Mount (WPSO) - Heavy	79 ...	<b>Site Infrastructure</b>	115 ...	<b>Information</b>
2 ...	STND-900	46 ...	<b>Ice-Shields</b>	80 ...	Cable Tray	116 ...	A325 Bolt Information
3 ...	STND-1500	47 ...	Mini Ice-Shield (IS-MIN)	81 ...	Cable Tray Accessories	117 ...	1/2" A325 Bolt Chart
4 ...	STND-1500-SC & STND-1500-DC	48 ...	Ice-Shield (IS)	82 ...	Flashing	118 ...	5/8" A325 Bolt Chart
5 ...	STND-1500-DS	49 ...	Ice-Shield Corner (ISC)	83 ...	Handrails (CHF)	119 ...	3/4" A325 Bolt Chart
6 ...	STND-2100	50 ...	Ice-Shield Tie-Back (IS-TB)	84 ...	Walkway (MHR)	120 ...	1/2" A325 Bolt Chart - Double Nut
7 ...	STND-2700	51 ...	<b>Antenna Mount - Monopole</b>	85 ...	Platform Step (PLAT-STEP)	121 ...	5/8" A325 Bolt Chart - Double Nut
8 ...	STND-3000	52 ...	Antenna Mount Pole - 3 Sector (AMP-13)	86 ...	Step Over	122 ...	3/4" A325 Bolt Chart - Double Nut
9 ...	<b>Ballast Roof Mount (FRM Model)</b>	53 ...	Antenna Mount Pole - 3 Sector (AMP-13T) Triple	87 ...	Step Over Platform	123 ...	1/2" A325 Bolt Chart - No LW
10 ...	Modular Roof Mount - Single Pole (FRM)	54 ...	Antenna Mount Pole - 4 Sector (AMP-13-4)	88 ...	Shelter	124 ...	5/8" A325 Bolt Chart - No LW
11 ...	Modular Roof Mount - Triple Pole (FRM)	55 ...	Antenna Mount Pole 26 (AMP-26)	89 ...	TX Double (TX16-TX24)	125 ...	3/4" A325 Bolt Chart - No LW
12 ...	TRP Mounts (TRP)	56 ...	Antenna Mount Pole 26 Triple (AMP-26T)	90 ...	<b>BBU &amp; Equipment Supports</b>	126 ...	5/8" U-Bolt Information
13 ...	<b>Penetrating Roof Mounts</b>	57 ...	Antenna Mount Pole - Heavy Duty (AMP-UN)	91 ...	RRU Brackets	127 ...	1/2" U-Bolt Information
14 ...	Penetrating Roof Mount - Single (PNRM-S)	58 ...	<b>Antenna Mount - Self Support Tower</b>	92 ...	Adjustable Platforms (PLTFRM)	128 ...	3/8" U-Bolt Information
15 ...	Penetrating Roof Mount - Double (PNRM-D)	59 ...	Antenna Mount Self Support (AMS-12)	93 ...	<b>Wall Mounting (Individual Brackets &amp; Extras)</b>	129 ...	1/2" Square U-Bolt Information
16 ...	Penetrating Roof Mount - Triple (PNRM-T)	60 ...	Antenna Mount Self Support (AMS-12) Assemblies	94 ...	L102x102 (4") Pipe Brackets (PB)		
17 ...	Penetrating Roof Mount - Heavy (PNRM-H)	61 ...	Strut Support (STRUT121 & STRUT122)	95 ...	L102x102 (4") Pipe Brackets with Gusset (PBG)		
18 ...	<b>Wall Mounting - LIGHT (Combinations)</b>	62 ...	<b>Pipe to Pipe Assemblies</b>	96 ...	L127x127 (5") Pipe Brackets (PB)		
19 ...	L76x76 (3") Assembly - LIGHT	63 ...	Saddle Bracket Assembly (SBA)	97 ...	L127x127 (5") Pipe Brackets with Gusset (PBG)		
20 ...	L76x76 (3") Assembly - LIGHT - KIT 1	64 ...	Saddle Bracket Assembly (SBA) Pipe Comb.	98 ...	L152x152 (6") Pipe Brackets (PB)		
21 ...	L76x76 (3") Assembly - LIGHT - KIT 2	65 ...	Welded Saddle Bracket Assembly (WSA)	99 ...	L152x152 (6") Pipe Brackets with Gusset (PBG)		
22 ...	<b>Wall Mounting - MEDIUM (Combinations)</b>	66 ...	Transverse Saddle Assembly (TSA)	100 ...	L102x102 (4") Wall Brackets (PB)		
23 ...	L102x102 (4") Assembly - MEDIUM	67 ...	Universal Clamp (UC)	101 ...	L102x102 (4") Wall Brackets with Gusset (PBG)		
24 ...	<b>Wall Mounting - HEAVY (Combinations)</b>	68 ...	Universal Clamp - Double (UCD)	102 ...	L127x127 (5") Wall Brackets (PB)		
25 ...	L102x102 (4") Assembly - HEAVY	69 ...	<b>Cross-Over Plate Assemblies</b>	103 ...	L127x127 (5") Wall Brackets with Gusset (PBG)		
26 ...	L127x127 (5") Assembly - HEAVY	70 ...	Fixed Cross-Over Plate (F-COP)	104 ...	L152x152 (6") Wall Brackets (PB)		
27 ...	L152x152 (6") Assembly - HEAVY	71 ...	Fixed Cross-Over Plate (F-COP) 60mm Pipe	105 ...	L152x152 (6") Wall Brackets with Gusset (PBG)		
28 ...	<b>Stand-Off Mounts</b>	72 ...	Fixed Cross-Over Plate (F-COP) 73mm Pipe	106 ...	Back Plate (BP)		
29 ...	XT-Wall (XT-Wall) Light Duty Wall Mount	73 ...	Fixed Cross-Over Plate (F-COP) 89mm Pipe	107 ...	Extension Plate or Channel		
30 ...	Antenna Tilting Mount (ATM-DownTilt)	74 ...	Fixed Cross-Over Plate (F-COP) 102mm Pipe	108 ...	<b>Hardware</b>		
31 ...	Pipe Stand-Off Mount (PSO) Standard	75 ...	Fixed Cross-Over Plate (F-COP) 114mm Pipe	109 ...	Galvanized Steel Pipe		
32 ...	Pipe Stand-Off Mount (PSO) 300mm	76 ...	Cross-Over Plate Assemblies (COP)	110 ...	Flanged Steel Pipe		
33 ...	Pipe Stand-Off Mount (PSO) 400mm	77 ...	Adjustable Cross-Over Plate (A-COP)	111 ...	U-Bolt Assembly		
34 ...	Pipe Stand-Off Mount (PSO) 500mm	78 ...	Universal Cross-Over Plate (U-COP)	112 ...	Square U-Bolt Assembly		
35 ...	Pipe Stand-Off Mount (PSO) 600mm			113 ...	A325 Bolt Assembly		
36 ...	Pipe Stand-Off Mount (PSO) 300mm Assemblies			114 ...	Threaded Rod (Anchor Rods)		
37 ...	Pipe Stand-Off Mount (PSO) 400mm Assemblies						
38 ...	Pipe Stand-Off Mount (PSO) 500mm Assemblies						
39 ...	Pipe Stand-Off Mount (PSO) 600mm Assemblies						
40 ...	Wall Stand-Off Mount (WSO)						
41 ...	Wall Stand-Off Mount (WSO) Mounting Hardware						
42 ...	Welded Pipe Stand-Off Mount (WPSO) - 1'						
43 ...	Welded Pipe Stand-Off Mount (WPSO) - 2'						
44 ...	Welded Pipe Stand-Off Mount (WPSO) - 3'						

# Ballast Roof Mount STND Model

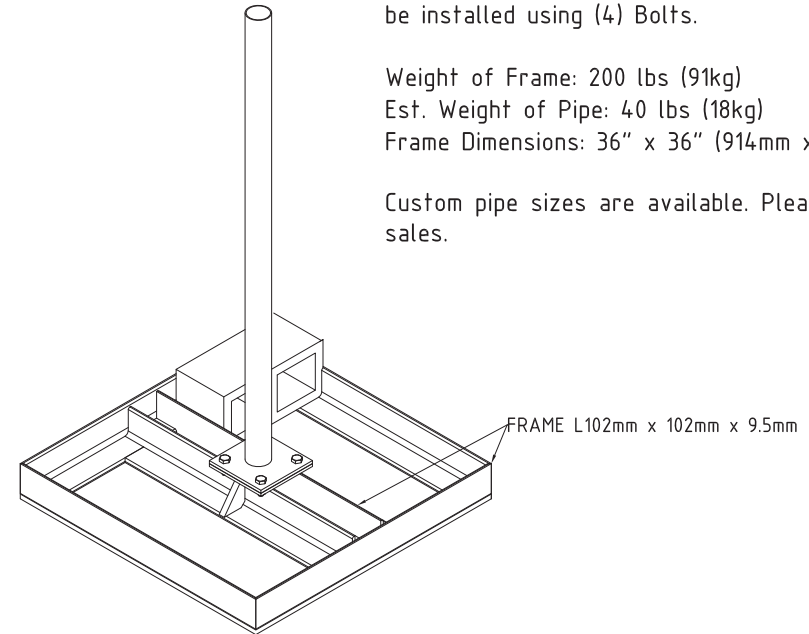
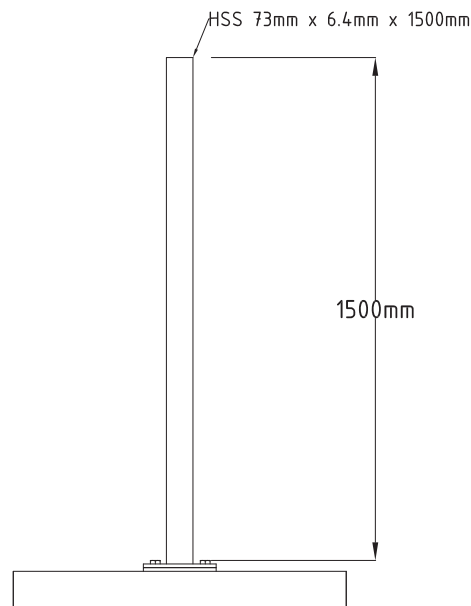
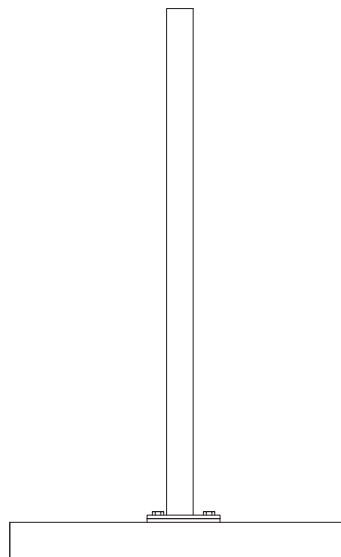
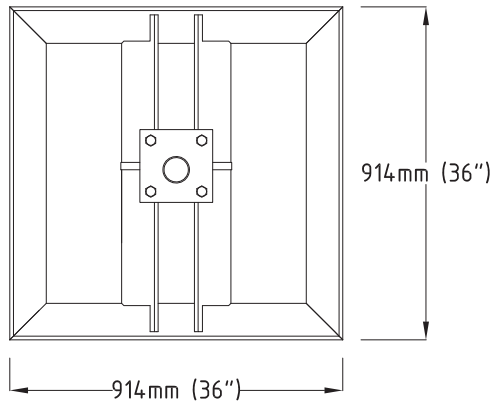


### STND-900 Roof Mount (STND-900)

The STND-900 is the smallest roofmount available. The STND-900 is a cost-effective mount for RRU's, Antennas or small MW's. The frame can be loaded with concrete blocks to achieve the required ballast weight to prevent overturning. We recommend using perforated rubber mats on the base to resist any sliding forces and to protect the roof surface. The mount requires minimal installation work as the frame is welded and only the flanged pipe is to be installed using (4) Bolts.


Weight of Frame: 200 lbs (91kg)  
 Est. Weight of Pipe: 40 lbs (18kg)  
 Frame Dimensions: 36" x 36" (914mm x 914mm)

Custom pipe sizes are available. Please contact sales.



- NOTES:
- 1- MATERIAL: MIN. 300 MPa PER CAN/CSA-G4.01-92.
  - 2- ALL MEMBERS ARE HOT DIP GALVANIZED AFTER FABRICATION PER CAN/CSA G164-92.
  - 3- BOLTS ARE A-325 OR Gr5 AS SPECIFIED.
  - 4- U-BOLTS ARE C-1018, MIN. 66KSI TENSILE STRENGTH, Gr5 IS AVAILABLE.
  - 5- H.D. GALVANIZED THREADED RODS ARE B7, MIN. 120 KSI.
  - 6- STAINLESS BOLT/THREADED ROD PER ASTM-A193, TENSILE STR. MIN75 KSI.

PART NUMBER	DESCRIPTION
STND-900	STND-900 FRAME
STND-900-73641000	STND-900 with HSS 73x6.4x3' (914mm) FLANGED PIPE
STND-900-73641500	STND-900 with HSS 73x6.4x5' (1525mm) FLANGED PIPE
PRM-1	PERFORATED RUBBER MAT - ONE RECOMMENDED

 <b>GORD Telecom Towers</b> 129 Delta Park Blvd., Brampton Ontario L6T 5M8, Canada Tel. 905-791-5800, Fax. 905-791-3325 <a href="http://www.gordtelecom.com">www.gordtelecom.com</a>			
TITLE :			
STND-900			
DRAWN BY S.S.	SCALE:	REV DATE: 2014	
CHK'D BY S.S.	DWG. No.		REV.
MANUF, APR S.S.	S.S.	STND-900-Generic & Cost	00
SALES, APR J.S.	J.S.		

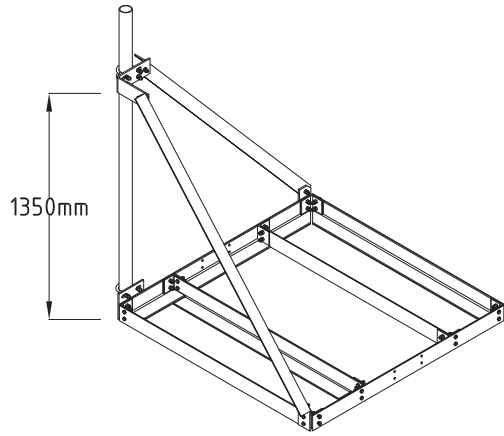


**STND-1500-Corner Roof Mount (STND-1500-SC & STND-1500-DC)**

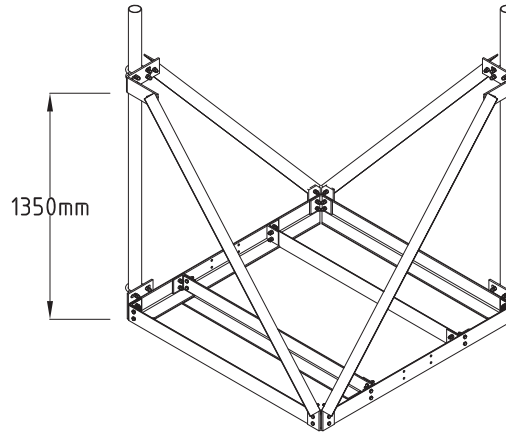
The Corner version of the STND-1500 is a medium size non-penetrating roofmount with multiple applications. The mount is great for Antennas and small MW's. The frame is complimented with perforated rubber mats for extra grip and to prevent any damage to the roof surface. The mount is very simple to install and can be modified to fit concrete block or patio stones by the installer. The mount can fit any pipe from 2 7/8" (73mm) to 4" (102mm).

Weight of Frame: 300 lbs (136kg)  
 Frame Dimensions: 60" x 60" (1500mm x 1500mm)

Please order all other pipes, rubber mats, and pipe caps separately.



STND-1500-SC



STND-1500-DC

PART NUMBER	DESCRIPTION
STND-1500-SC	STND-1500-Corner FRAME
STND-1500-SC-73483	STND-1500-Corner w/ HSS 73x5x10' (3050mm) PIPE
STND-1500-SC-89483	STND-1500-Corner w/ HSS 89x5x10' (3050mm) PIPE
STND-1500-SC-102483	STND-1500-Corner w/ HSS 102x5x10' (3050mm) PIPE
STND-1500-DC	STND-1500-Corner FRAME
STND-1500-DC-73483	STND-1500-Corner w/ (2) HSS 73x5x10' (3050mm) PIPE
STND-1500-DC-89483	STND-1500-Corner w/ (2) HSS 89x5x10' (3050mm) PIPE
STND-1500-DC-102483	STND-1500-Corner w/ (2) HSS 102x5x10' (3050mm) PIPE
PRM-4	PERFORATED RUBBER MAT - FOUR RECOMMENDED

- NOTES:
- 1- MATERIAL: MIN. 300 MPa PER CAN/CSA-G40.21-92.
  - 2- ALL MEMBERS ARE HOT DIP GALVANIZED AFTER FABRICATION PER CAN/CSA G164-92.
  - 3- BOLTS ARE A-325 OR Gr.5 AS SPECIFIED.
  - 4- U-BOLTS ARE C-1018, MIN. 66KSI TENSILE STRENGTH, Gr.5 IS AVAILABLE.
  - 5- H.D. GALVANIZED THREADED RODS ARE B7, MIN. 120 KSI.
  - 6- STAINLESS BOLT/THREADED ROD PER ASTM-A193,TENSILE STR. MIN75 KSI.

**gord** Telecom  
 GORD Telecom Towers  
 129 Delta Park Blvd., Brampton  
 Ontario L6T 5M8, Canada  
 Tel. 905-791-5800, Fax. 905-791-3325  
[www.gordtelecom.com](http://www.gordtelecom.com)

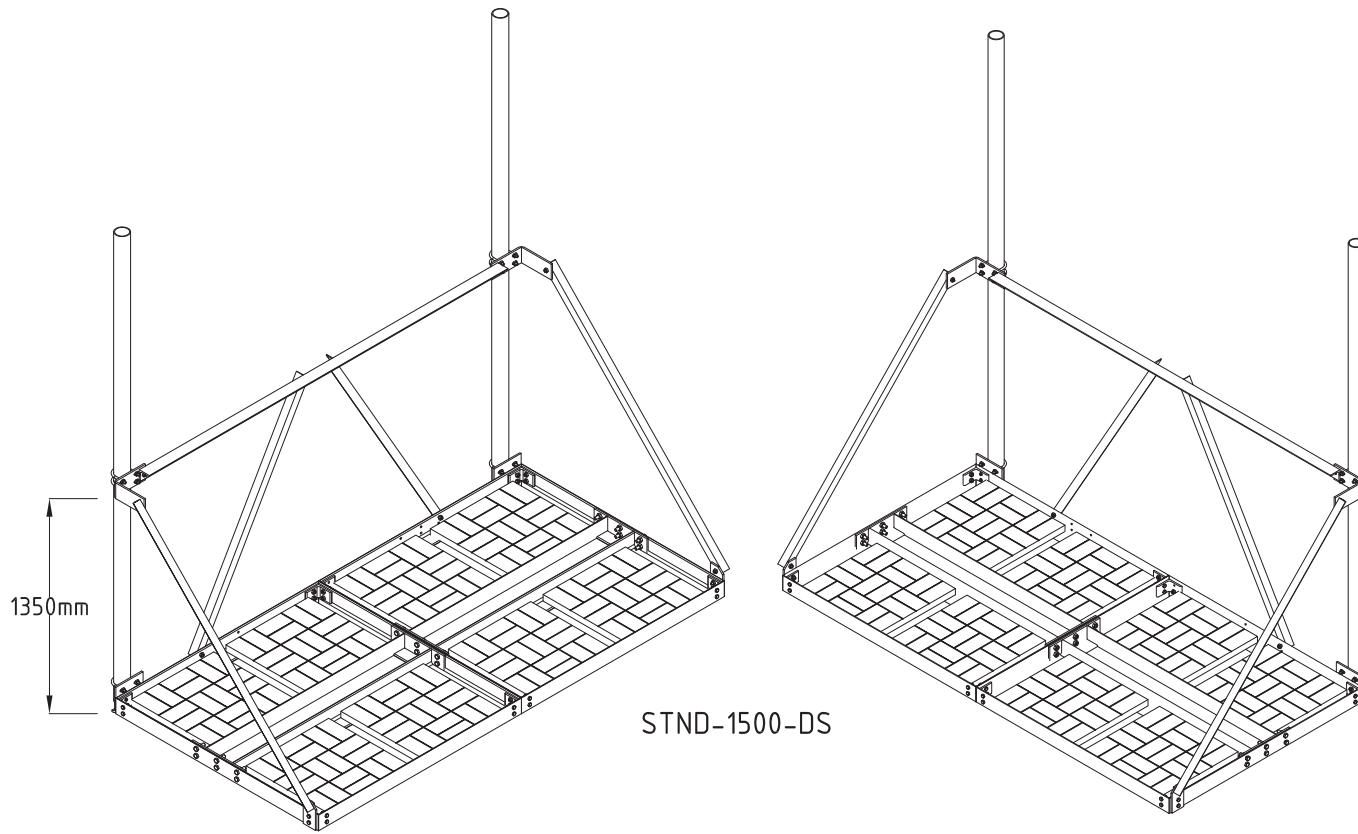
TITLE :			
STND-1500-Corner			
DRAWN BY	S.S.	SCALE:	REV DATE: 2014
CHK'D BY	S.S.	DWG. No.	REV
MANUF,APR	S.S.	STND-1500-Corner-Generic & Cost	00
SALES,APR	J.S.		

**STND-1500-DS Roof Mount**

The double version of the STND-1500 is a medium size non-penetrating roofmount with multiple applications. The mount is great for Antennas and small MW's. The frame is complimented with perforated rubber mats for extra grip and to prevent any damage to the roof surface. The mount is very simple to install and can be modified to fit concrete block or patio stones by the installer. The mount can fit any pipe from 2 7/8" (73mm) to 4" (102mm).

Weight of Frame: 660 lbs (300kg)  
 Frame Dimension: 120" x 60" (3000mm x 1500mm)

Please order all other pipes, rubber mats, and pipe caps separately.



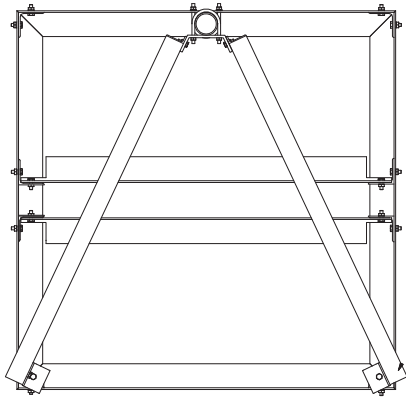
STND-1500-DS

PART NUMBER	DESCRIPTION
STND-1500-DS	STND-1500-DS FRAME
STND-1500-DS-734824	STND-1500-DS w/ HSS 73x5x8' (2440mm) PIPE
STND-1500-DS-734830	STND-1500-DS w/ HSS 73x5x10' (3050mm) PIPE
STND-1500-DS-894824	STND-1500-DS w/ HSS 89x5x8' (2440mm) PIPE
STND-1500-DS-894830	STND-1500-DS w/ HSS 89x5x10' (3050mm) PIPE
STND-1500-DS-1024824	STND-1500-DS w/ HSS 102x5x8' (2440mm) PIPE
STND-1500-DS-1024830	STND-1500-DS w/ HSS 102x5x10' (3050mm) PIPE
PRM-8	PERFORATED RUBBER MAT - EIGHT RECOMMENDED

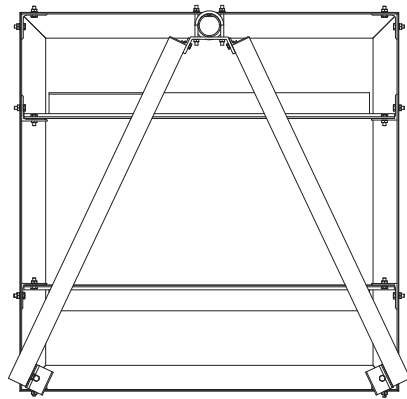
- NOTES:
- 1- MATERIAL: MIN. 300 MPa PER CAN/CSA-G40.21-92.
  - 2- ALL MEMBERS ARE HOT DIP GALVANIZED AFTER FABRICATION PER CAN/CSA G164-92.
  - 3- BOLTS ARE A-325 OR Gr.5 AS SPECIFIED.
  - 4- U-BOLTS ARE C-1018, MIN. 66KSI TENSILE STRENGTH, Gr.5 IS AVAILABLE.
  - 5- H.D. GALVANIZED THREADED RODS ARE B7, MIN. 120 KSI.
  - 6- STAINLESS BOLT/THREADED ROD PER ASTM-A193,TENSILE STR. MIN75 KSI.

**gord Telecom** **GORD Telecom Towers**  
 129 Delta Park Blvd., Brampton  
 Ontario L6T 5M8, Canada  
 Tel. 905-791-5800, Fax. 905-791-3325  
[www.gordtelecom.com](http://www.gordtelecom.com)

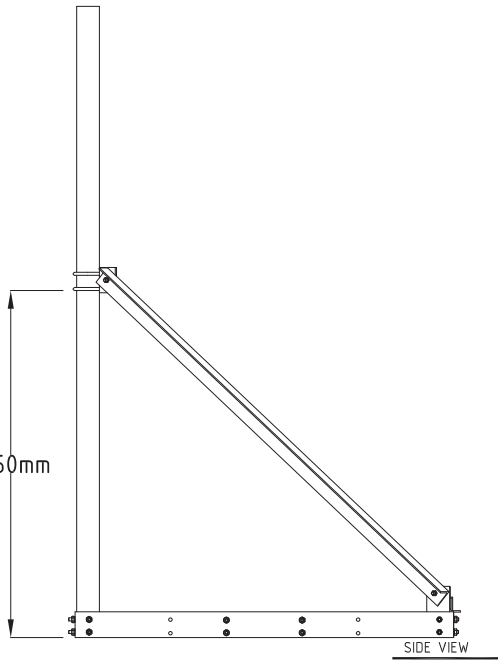
TITLE :			
STND-1500-Double Set			
DRAWN BY	S.S.	SCALE:	REV DATE: 2017
CHK'D BY	S.S.	DWG. No.	REV.
MANUF,APR	S.S.	STND-1500-DS-Generic & Cost	00
SALES,APR	J.S.		



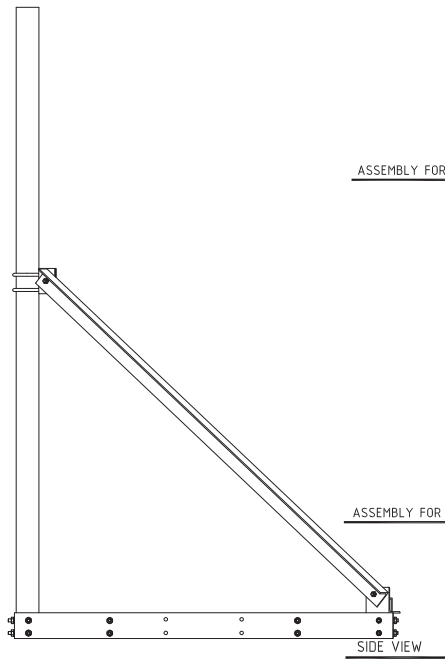
ASSEMBLY FOR PATIO STONES  
TOP VIEW



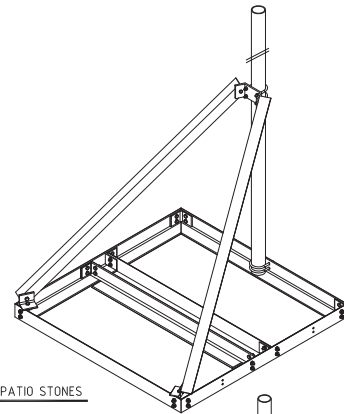
ASSEMBLY FOR CONCRETE BLOCKS  
TOP VIEW



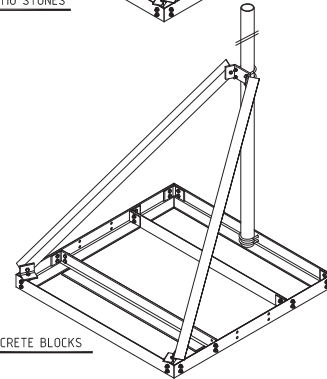
SIDE VIEW



SIDE VIEW



ASSEMBLY FOR PATIO STONES



ASSEMBLY FOR CONCRETE BLOCKS

### STND-1500 Roof Mount (STND-1500)


The STND-1500 is a medium size non-penetrating roofmount with multiple applications. The mount is great for Antennas and small MW's. The frame is complimented with perforated rubber mats for extra grip and to prevent any damage to the roof surface. The mount is very simple to install and can be modified to fit concrete block or patio stones by the installer. The mount can fit any pipe from 2 7/8" (73mm) to 4 1/2" (114mm).

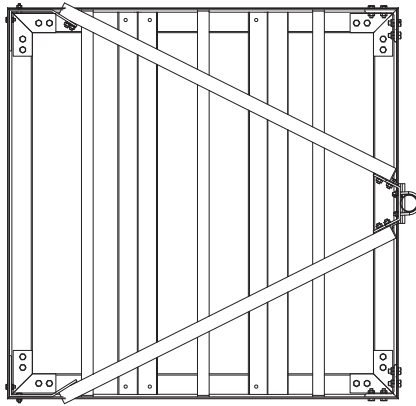
Weight of Frame: 300 lbs (136kg)  
Frame Dimensions: 60" x 60" (1500mm x 1500mm)

Please order all other pipes, rubber mats, and pipe caps separately.

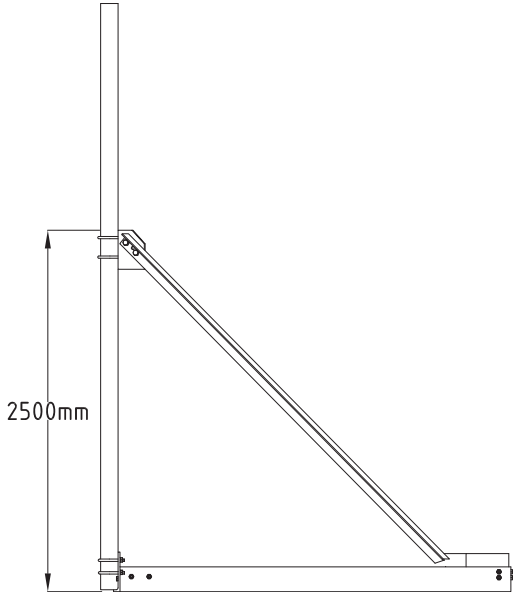
- NOTES:
- 1- MATERIAL: MIN. 300 MPa PER CAN/CSA-G40.21-92.
  - 2- ALL MEMBERS ARE HOT DIP GALVANIZED AFTER FABRICATION PER CAN/CSA G164-92.
  - 3- BOLTS ARE A-325 OR Gr.5 AS SPECIFIED.
  - 4- U-BOLTS ARE C-1018, MIN. 66KSI TENSILE STRENGTH, Gr.5 IS AVAILABLE.
  - 5- H.D. GALVANIZED THREADED RODS ARE B7, MIN. 120 KSI.
  - 6- STAINLESS BOLT/THREADED ROD PER ASTM-A193, TENSILE STR. MIN75 KSI.

PART NUMBER	DESCRIPTION
STND-1500	STND-1500 FRAME
STND-1500-73483	STND-1500 w/ HSS 73x5x10' (3050mm) PIPE
STND-1500-89483	STND-1500 w/ HSS 89x5x10' (3050mm) PIPE
STND-1500-102483	STND-1500 w/ HSS 102x5x10' (3050mm) PIPE
STND-1500-114483	STND-1500 w/ HSS 114x5x10' (3000mm) PIPE
PRM-4	PERFORATED RUBBER MAT - FOUR RECOMMENDED

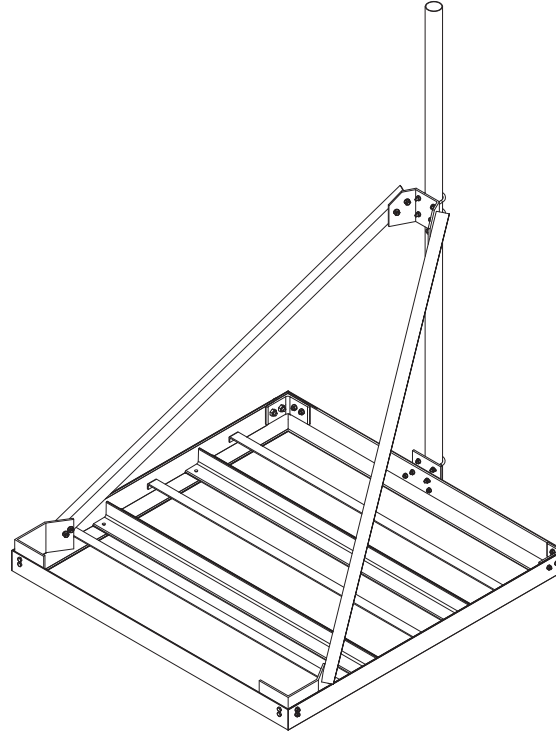
 <b>GORD Telecom Towers</b> 129 Delta Park Blvd., Brampton Ontario L6T 5M8, Canada Tel. 905-791-5800, Fax. 905-791-3325 <a href="http://www.gordtelecom.com">www.gordtelecom.com</a>			
TITLE :			
STND-1500			
DRAWN BY	S.S.	SCALE:	REV DATE: 2017
CHK'D BY	S.S.	DWG. No.	REV.
MANUF, APR	S.S.	STND-1500-Generic & Cost	
SALES, APR	J.S.		00



TOP VIEW



SIDE VIEW



### STND-2100 Roof Mount (STND-2100)


The STND-2100 is a large size non-penetrating roofmount with multiple applications. The mount is great for Antennas and MW's. The frame is complimented with perforated rubber mats for extra grip and to prevent any damage to the roof surface. The mount is very simple to install and can be modified to fit concrete block or patio stones by the installer. The mount can fit any pipe from 2 7/8" (73mm) to 4 1/2" (114mm).

Weight of Frame: 625 lbs (285kg)  
 Frame Dimensions: 83" x 83" (2100mm x 2100mm)

Please order all other pipes, rubber mats, and pipe caps separately.

- NOTES:
- 1- MATERIAL: MIN. 300 MPa PER CAN/CSA-G40.21-92.
  - 2- ALL MEMBERS ARE HOT DIP GALVANIZED AFTER FABRICATION PER CAN/CSA G164-92.
  - 3- BOLTS ARE A-325 OR Gr.5 AS SPECIFIED.
  - 4- U-BOLTS ARE C-1018, MIN. 66KSI TENSILE STRENGTH, Gr.5 IS AVAILABLE.
  - 5- H.D. GALVANIZED THREADED RODS ARE B7, MIN. 120 KSI.
  - 6- STAINLESS BOLT/THREADED ROD PER ASTM-A193,TENSILE STR. MIN75 KSI.

PART NUMBER	DESCRIPTION
STND-2100	STND-2100 FRAME
STND-2100-73483	STND-2100 w/ HSS 73x5x10' (3000mm) PIPE
STND-2100-89483	STND-2100 w/ HSS 89x5x10' (3000mm) PIPE
STND-2100-102483	STND-2100 w/ HSS 102x5x10' (3000mm) PIPE
STND-2100-114483	STND-2100 w/ HSS 114x5x10' (3000mm) PIPE
PRM-9	PERFORATED RUBBER MAT - NINE RECOMMENDED

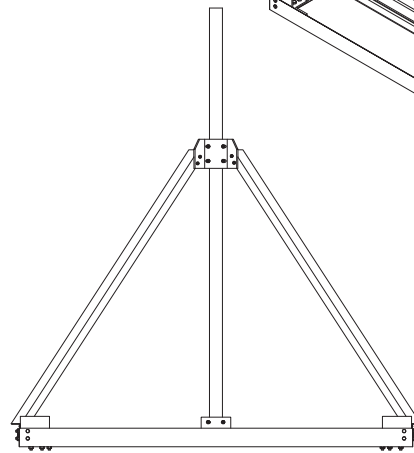
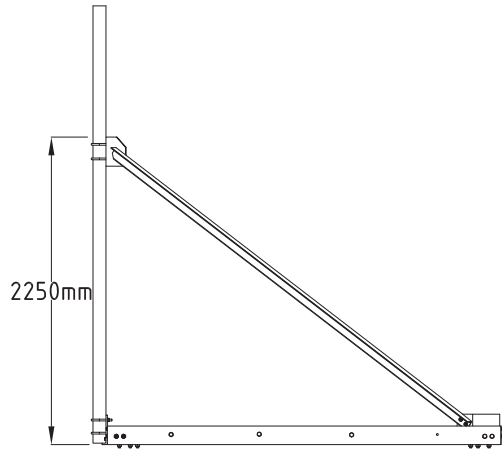
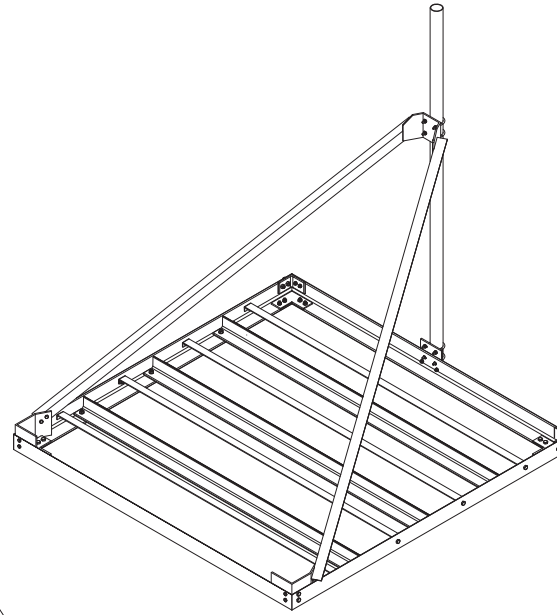
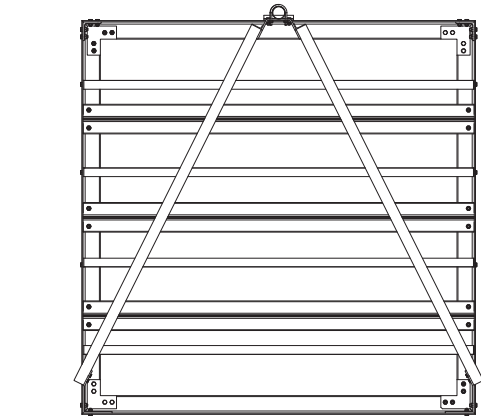
 <b>GORD Telecom Towers</b> 129 Delta Park Blvd., Brampton Ontario L6T 5M8, Canada Tel. 905-791-5800, Fax. 905-791-3325 <a href="http://www.gordtelecom.com">www.gordtelecom.com</a>		
TITLE :		
STND-2100		
DRAWN BY S.S.	SCALE:	REV DATE: 2015
CHK'D BY S.S.	DWG. No.	REV.
MANUF,APR S.S.	STND-2100-Generic & Cost	00
SALES,APR J.S.		

### STND-2700 Roof Mount (STND-2700)

The STND-2700 is our largest and sturdiest non-penetrating roofmount. The mount is great for Antennas and MW's. The frame is complimented with perforated rubber mats for extra grip and to prevent any damage to the roof surface. The mount is very simple to install. It is designed to hold concrete blocks and comes with tie-downs for security. The mount can fit any pipe from 2 7/8" (73mm) to 4 1/2" (114mm).


Weight of Frame: 800 lbs (365kg)  
 Frame Dimensions: 106" x 106" (2700mm x 2700mm)

Please order all other pipes, rubber mats, and pipe caps separately.



- NOTES:
- 1- MATERIAL: MIN. 300 MPa PER CAN/CSA-G40.21-92.
  - 2- ALL MEMBERS ARE HOT DIP GALVANIZED AFTER FABRICATION PER CAN/CSA G164-92.
  - 3- BOLTS ARE A-325 OR Gr.5 AS SPECIFIED.
  - 4- U-BOLTS ARE C-1018, MIN. 66KSI TENSILE STRENGTH, Gr.5 IS AVAILABLE.
  - 5- H.D. GALVANIZED THREADED RODS ARE B7, MIN. 120 KSI.
  - 6- STAINLESS BOLT/THREADED ROD PER ASTM-A193,TENSILE STR. MIN75 KSI.

PART NUMBER	DESCRIPTION
STND-2700	STND-2700 FRAME
STND-2700-73483	STND-2700 w/ HSS 73x5x10' (3000mm) PIPE
STND-2700-89483	STND-2700 w/ HSS 89x5x10' (3000mm) PIPE
STND-2700-102483	STND-2700 w/ HSS 102x5x10' (3000mm) PIPE
STND-2700-114483	STND-2700 w/ HSS 114x5x10' (3000mm) PIPE
PRM-9	PERFORATED RUBBER MAT - NINE RECOMMENDED

 <b>GORD Telecom Towers</b> 129 Delta Park Blvd., Brampton Ontario L6T 5M8, Canada Tel. 905-791-5800, Fax. 905-791-3325 <a href="http://www.gordtelecom.com">www.gordtelecom.com</a>			
TITLE :			
STND-2700			
DRAWN BY	S.S.	SCALE:	REV DATE: 2014
CHK'D BY	S.S.	DWG. No.	REV.
MANUF,APR	S.S.	STND-2700-Generic & Cost	00
SALES,APR	J.S.		



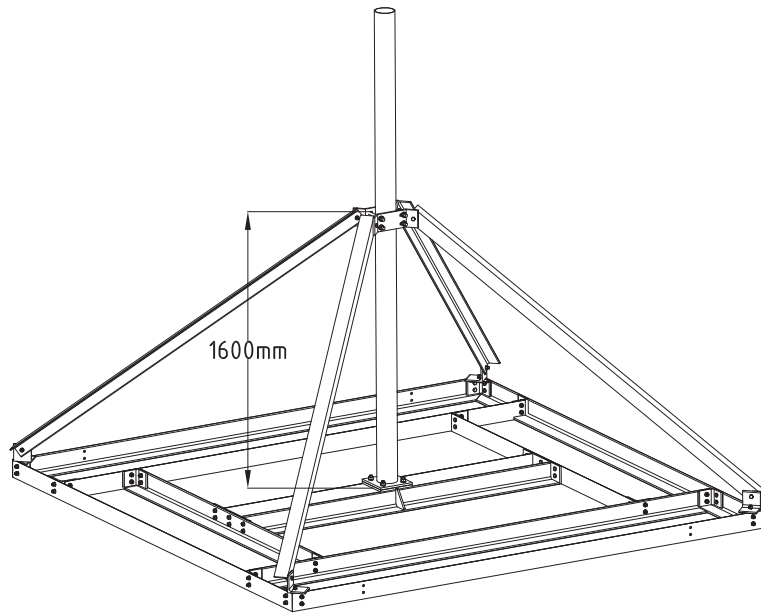
### STND-3000 Roof Mount (STND-3000)

The STND-3000 is a 3m x 3m centre pole roof ballast mount. The main pipe is HSS 114 and fits well for large antennas or MW's. The pipe comes in 3m sections, and can be expanded to 6m.

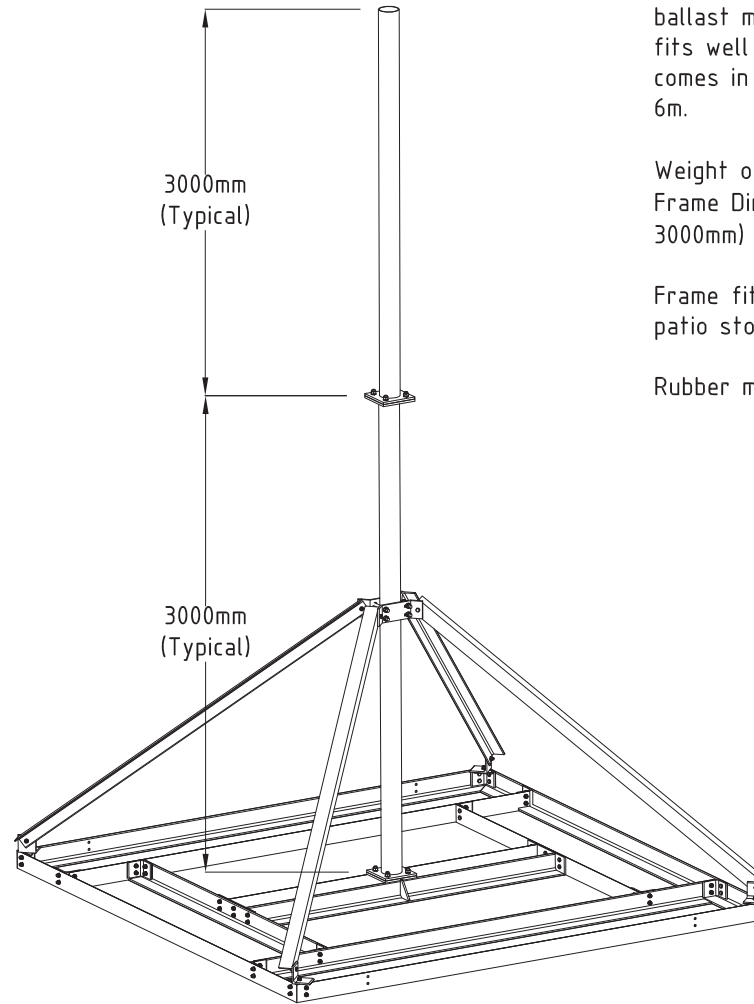
Weight of Frame: 870 lbs (395kg)  
 Frame Dimensions: 120" x 120" (3000mm x 3000mm)

Frame fits concrete blocks only. Unsuitable for patio stones.

Rubber mats sold separately.



STND-3000



STND-3000-6

- NOTES:
- 1- MATERIAL: MIN. 300 MPa PER CAN/CSA-G4.0.21-92.
  - 2- ALL MEMBERS ARE HOT DIP GALVANIZED AFTER FABRICATION PER CAN/CSA G164-92.
  - 3- BOLTS ARE A-325 OR Gr.5 AS SPECIFIED.
  - 4- U-BOLTS ARE C-1018, MIN. 66KSI TENSILE STRENGTH, Gr.5 IS AVAILABLE.
  - 5- H.D. GALVANIZED THREADED RODS ARE B7, MIN. 120 KSI.
  - 6- STAINLESS BOLT/THREADED ROD PER ASTM-A193, TENSILE STR. MIN75 KSI.

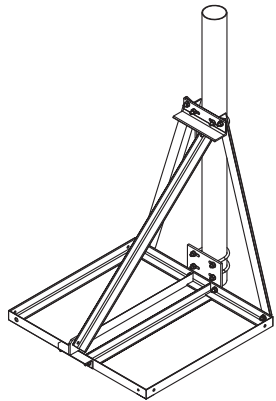
**gord Telecom** GORD Telecom Towers  
 129 Delta Park Blvd., Brampton  
 Ontario L6T 5M8, Canada  
 Tel. 905-791-5800, Fax. 905-791-3325  
[www.gordtelecom.com](http://www.gordtelecom.com)

TITLE :			
STND-3000			
DRAWN BY S.S.	SCALE:	REV DATE: 2020	
CHK'D BY S.S.	DWG. No.		REV.
MANUF, APR S.S.	STND-3000-Generic & Cost		00
SALES, APR J.S.			

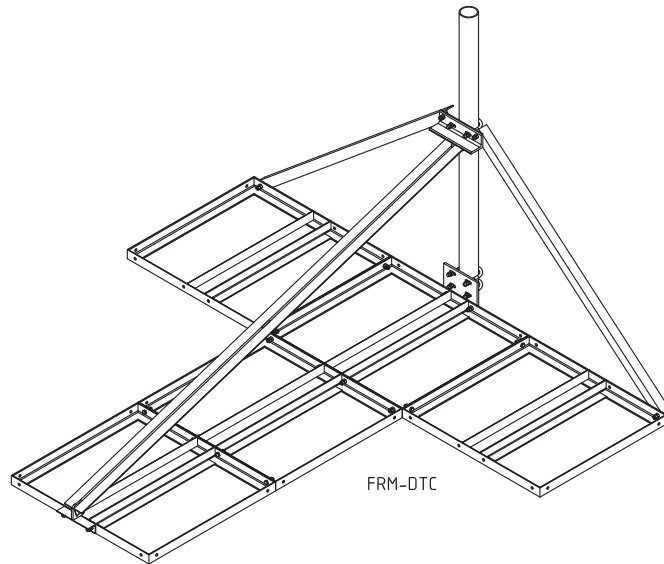
PART NUMBER	DESCRIPTION
STND-3000	STND-3000 FRAME with 3m (10') Pipe
STND-3000-6	STND-3000 FRAME with 6m (20') Flanged Pipe
PRM-16	PERFORATED RUBBER MAT - 16 RECOMMENDED

# Ballast Roof Mount

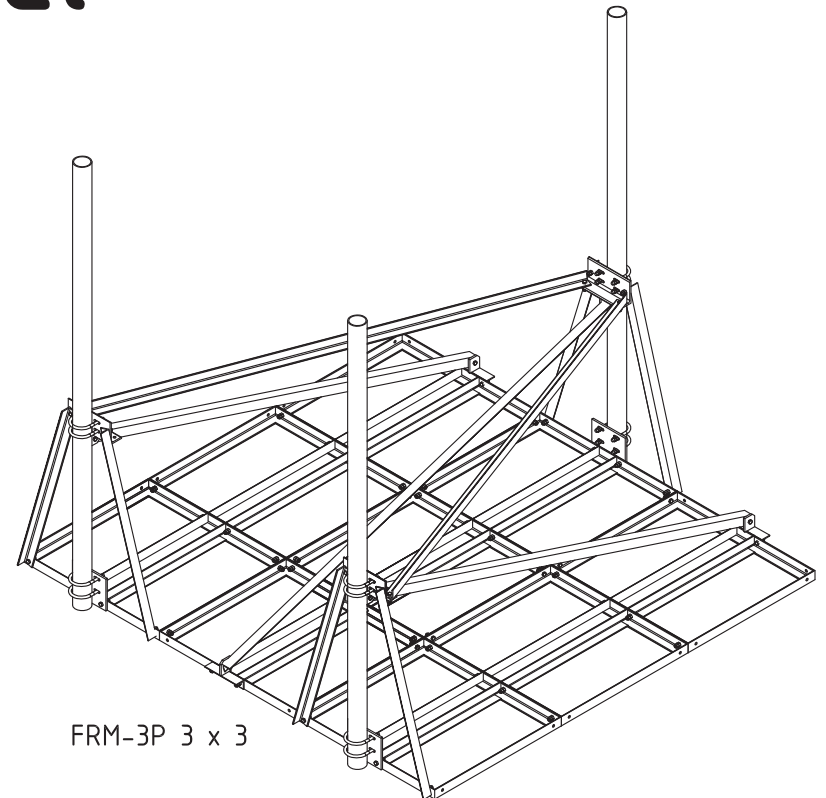
## FRM Model



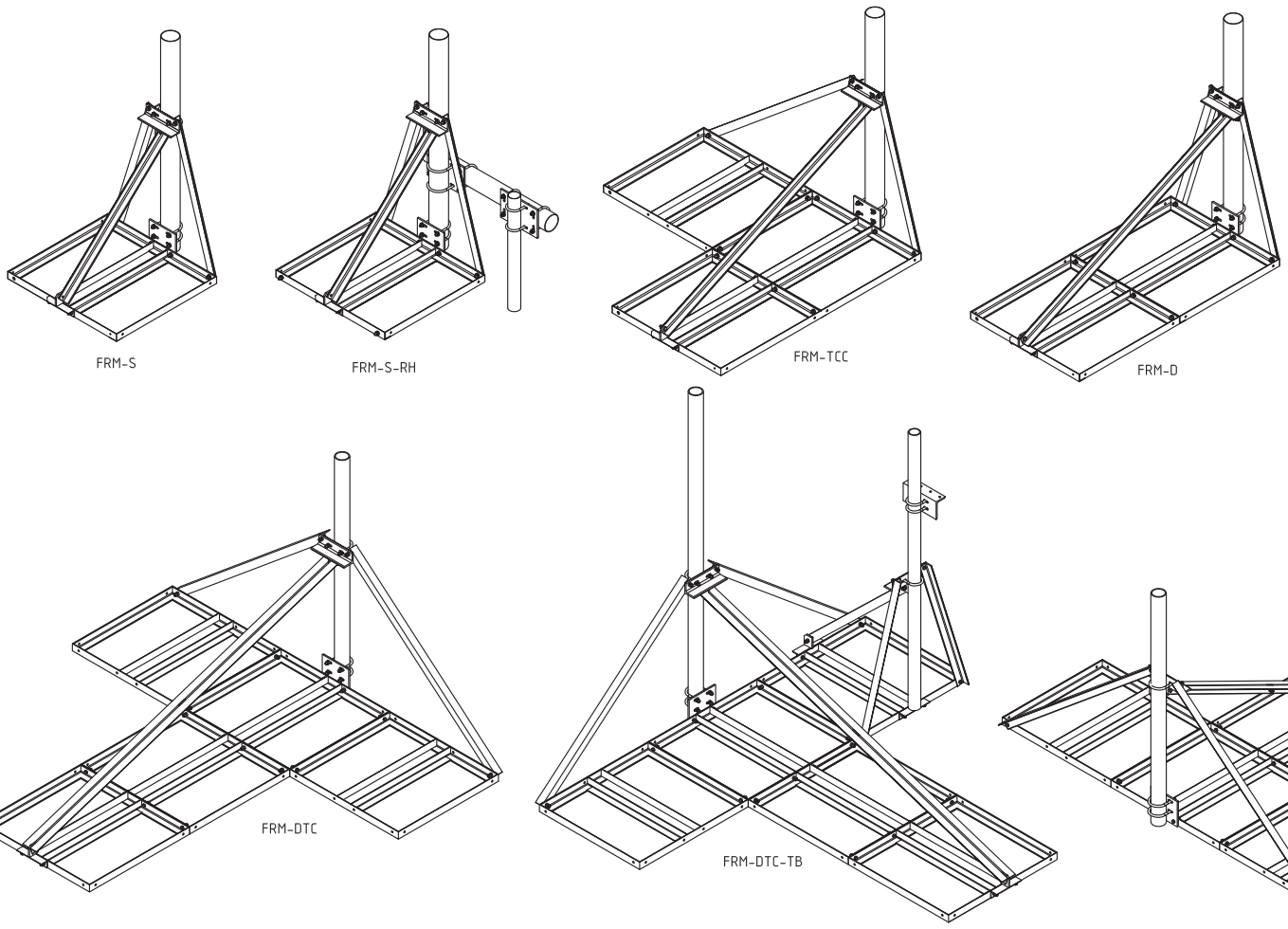
FRM-S



FRM-DTC



FRM-3P 3 x 3



**Modular Roof Mount (FRM) - Single Pole**

The non-penetrating modular design is ideal for cel and microwave installations, specially suitable for uneven or flexible roofs.

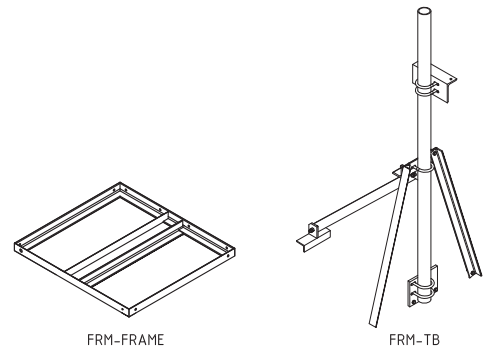
Modular base allows for endless configurations and future upgrades supporting antenna changes.

Single Base Size: 32" x 35" (810mm x 890mm)  
Single Frame Weight: 35lbs

Roof Mount Supports Pipes from 2 7/8" (73mm to 4 1/2" (114mm)

Please order pipe separately.

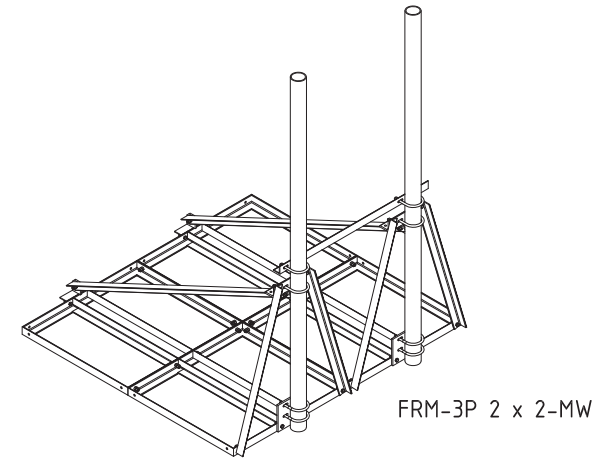
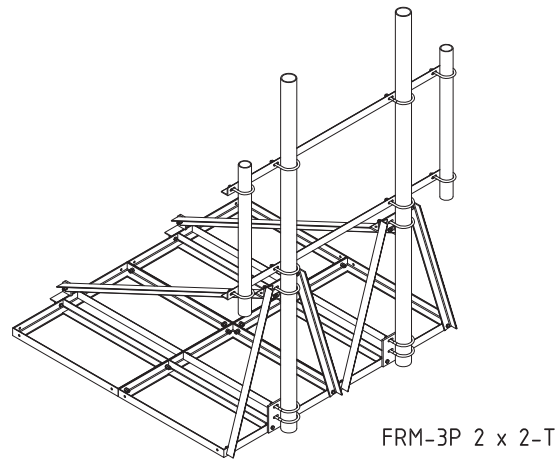
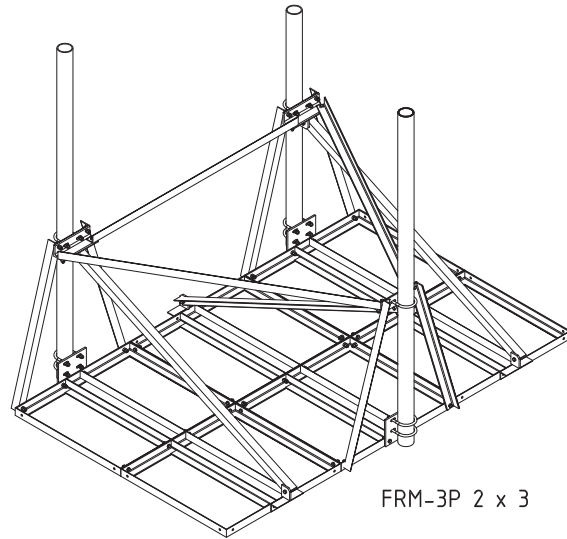
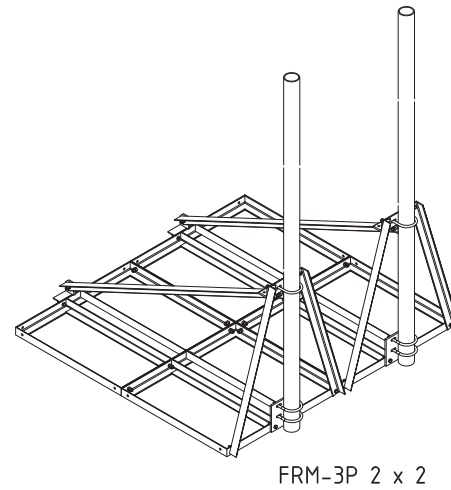
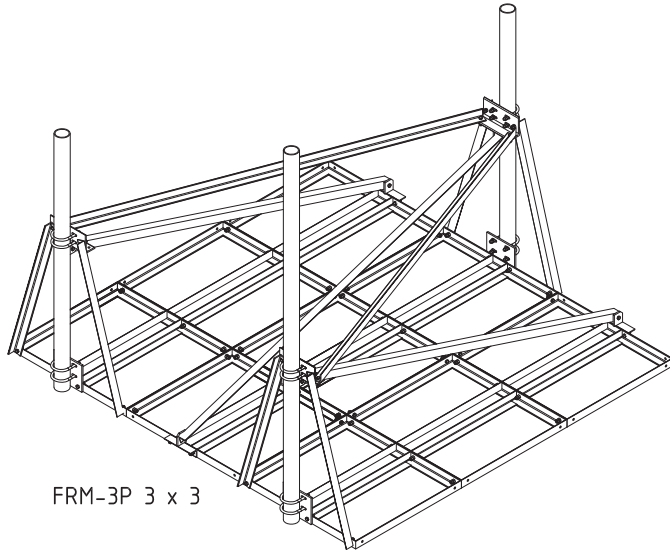
PART NUMBER	DESCRIPTION
FRM-FRAME	Single Frame Only
FRM-S	Modular Roof Mount: Single
FRM-S-RH	Modular Roof Mount: Re-Enforced Single Roof Edge Hanger
FRM-D	Modular Roof Mount: Double (D)
FRM-T	Modular Roof Mount: Triple (T)
FRM-TC	Modular Roof Mount: T-Combination (TC)
FRM-TCC	Modular Roof Mount: T-Combination Roof Corner (TCC)
FRM-DTC	Modular Roof Mount: Dual T-Combination (DTC)
FRM-DTC-TB	Modular Roof Mount: Dual Combination with Tie-Back (DTC-TB)
FRM-TB	Modular Roof Mount: Tie-Back (TB)



- NOTES:
- 1- MATERIAL: MIN. 300 MPa PER CAN/CSA-G40.21-92.
  - 2- ALL MEMBERS ARE HOT DIP GALVANIZED AFTER FABRICATION PER CAN/CSA G164-92.
  - 3- BOLTS ARE A-325 OR Gr.5 AS SPECIFIED.
  - 4- U-BOLTS ARE C-1018, MIN. 66KSI TENSILE STRENGTH, Gr.5 IS AVAILABLE.
  - 5- H.D. GALVANIZED THREADED RODS ARE B7, MIN. 120 KSI.
  - 6- STAINLESS BOLT/THREADED ROD PER ASTM-A193, TENSILE STR. MIN75 KSI.

**gord Telecom** Towers  
 129 Delta Park Blvd., Brampton  
 Ontario L6T 5M8, Canada  
 Tel. 905-791-5800, Fax. 905-791-3325  
[www.gordtelecom.com](http://www.gordtelecom.com)

TITLE :			
FRM Single Pipe			
DRAWN BY S.S.	SCALE:	REV DATE: 2020	
CHK'D BY S.S.	DWG. No.		REV.
MANUF. APR S.S.	FRMSingle-Generic & Cost		00
SALES. APR J.S.			



### Modular Roof Mount (FRM) - Triple Pole

The non-penetrating modular design is ideal for cel and microwave installations, specially suitable for uneven or flexible roofs.

Modular base allows for endless configurations and future upgrades supporting antenna changes.

Single Base Size: 32" x 35" (810mm x 890mm)  
Single Frame Weight: 35lbs

Roof Mount Supports Pipes from 2 7/8" (73mm to 4 1/2" (114mm)

Please order pipe separately.

- NOTES:
- 1- MATERIAL: MIN. 300 MPa PER CAN/CSA-G4.0.21-92.
  - 2- ALL MEMBERS ARE HOT DIP GALVANIZED AFTER FABRICATION PER CAN/CSA G164-92.
  - 3- BOLTS ARE A-325 OR Gr5 AS SPECIFIED.
  - 4- U-BOLTS ARE C-1018, MIN. 66KSI TENSILE STRENGTH, Gr.5 IS AVAILABLE.
  - 5- H.D. GALVANIZED THREADED RODS ARE B7, MIN. 120 KSI.
  - 6- STAINLESS BOLT/THREADED ROD PER ASTM-A193, TENSILE STR. MIN75 KSI.

PART NUMBER	DESCRIPTION
FRM-3P 2 x 2	Modular Roof Mount: 3P 2 x 2
FRM-3P 2 x 2-T	Modular Roof Mount: 3P 2 x 2
FRM-3P 2 x 2-MW	Modular Roof Mount: 3P 2 x 2
FRM-3P 2 x 3	Modular Roof Mount: 3P 2 x 3
FRM-3P 3 x 3	Modular Roof Mount: 3P 3 x 3

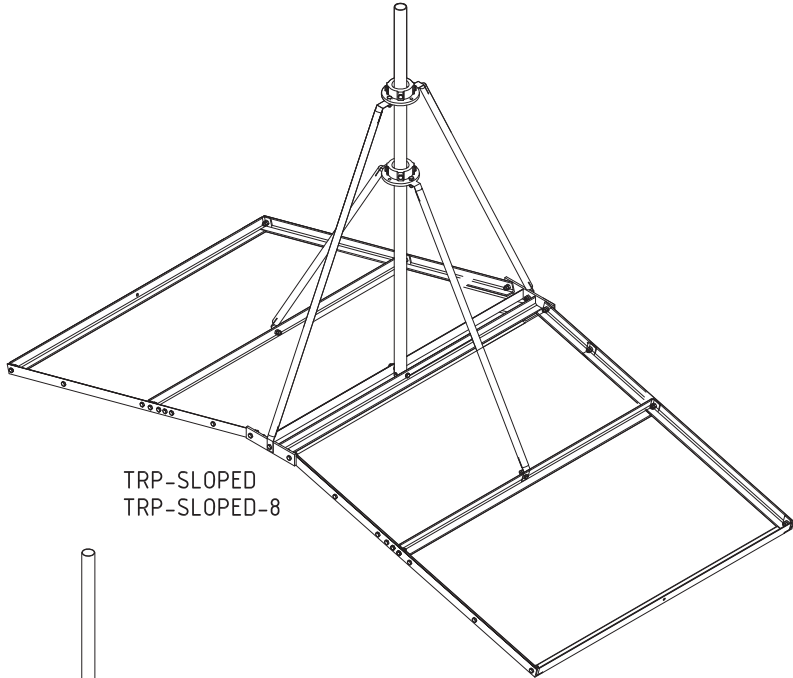
		<b>GORD Telecom Towers</b> 129 Delta Park Blvd., Brampton Ontario L6T 5M8, Canada Tel. 905-791-5800, Fax. 905-791-3325 <a href="http://www.gordtelecom.com">www.gordtelecom.com</a>	
TITLE :			
FRM Triple Pipe			
DRAWN BY	S.S.	SCALE:	REV DATE: 2020
CHK'D BY	S.S.	DWG. No.	REV.
MANUF, APR	S.S.	FRMTriple-Generic & Cost	
SALES, APR	J.S.	00	

**TRP Mounts (TRP)**

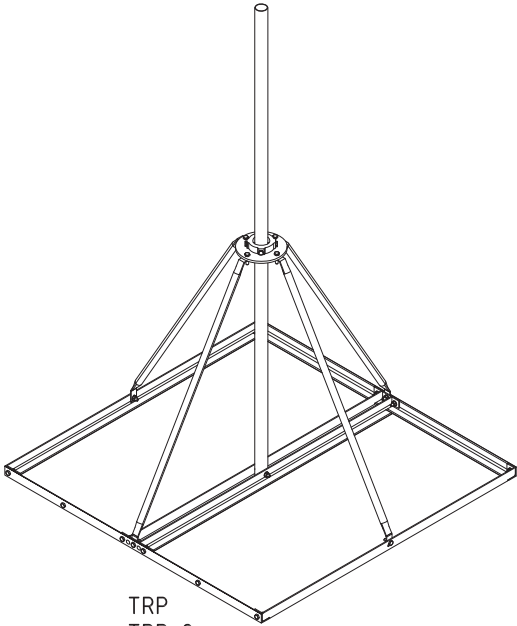
TRP Non-Penetrating Roof Mounts are our most light duty mounts available. They can hold a 60mm (2 3/8" Diameter) Pipe up to 8' high. They can be loaded with 4 Patio Stones.

The TRP-Sloped is designed to be installed on sloped roofs. A rubber mat should be placed below each mount.

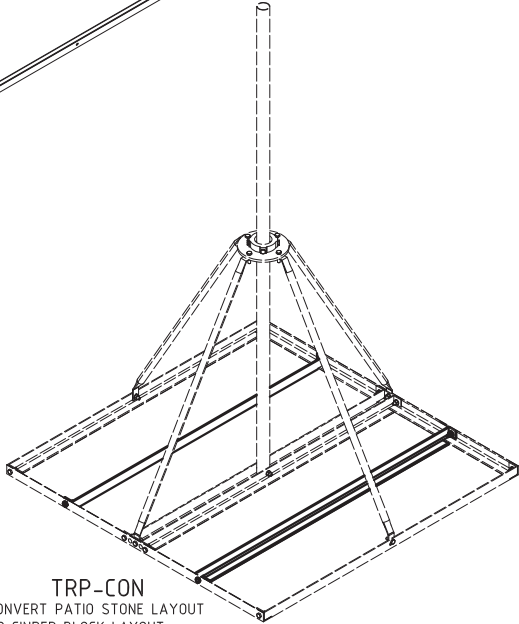
*TRP mounts are not a CSA Approved Product.*



TRP-SLOPED  
TRP-SLOPED-8



TRP  
TRP-8



TRP-CON  
CONVERT PATIO STONE LAYOUT  
TO CINDER BLOCK LAYOUT

- NOTES :
- 1- MATERIAL: MIN. 300 MPa PER CAN/CSA-G40.21-92.
  - 2- ALL MEMBERS ARE HOT DIP GALVANIZED AFTER FABRICATION PER CAN/CSA G164-92.
  - 3- BOLTS ARE A-325 OR Gr.5 AS SPECIFIED.
  - 4- U-BOLTS ARE C-1018, MIN. 66KSI TENSILE STRENGTH; Gr.5 IS AVAILABLE.
  - 5- U.D. GALVANIZED THREADED RODS ARE B7, MIN. 120 KSI.
  - 6- STAINLESS BOLT/THREADED ROD PER ASTM-A193,TENSILE STR. MIN75 KSI.

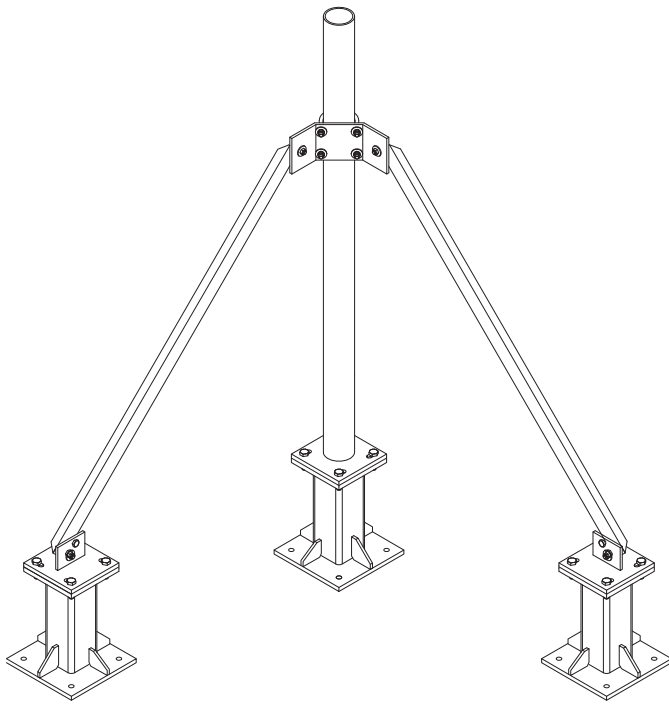
PART NUMBER	PIPE	FRAME DIMENSION	DESCRIPTION
TRP	-	1285mm x 1270mm	DESIGNED FOR A FLAT ROOF
TRP-8	2 3/8" x 8' Pipe	1285mm x 1270mm	DESIGNED FOR A FLAT ROOF
TRP-CON	-	-	(2) ADDITIONAL ANGLES TO CONVERT FRAME FOR CINDER BLOCKS
TRP-SLOPED	-	1285mm x 2580mm	DESIGNED TO BE INSTALLED AT THE APEX OF A SLOPED ROOF
TRP-SLOPED-8	2 3/8" x 8' Pipe	1285mm x 2580mm	DESIGNED TO BE INSTALLED AT THE APEX OF A SLOPED ROOF

**gord Telecom** **GORD Telecom Towers**  
 129 Delta Park Blvd., Brampton  
 Ontario L6T 5M8, Canada  
 Tel. 905-791-5800, Fax. 905-791-3325  
[www.gordtelecom.com](http://www.gordtelecom.com)

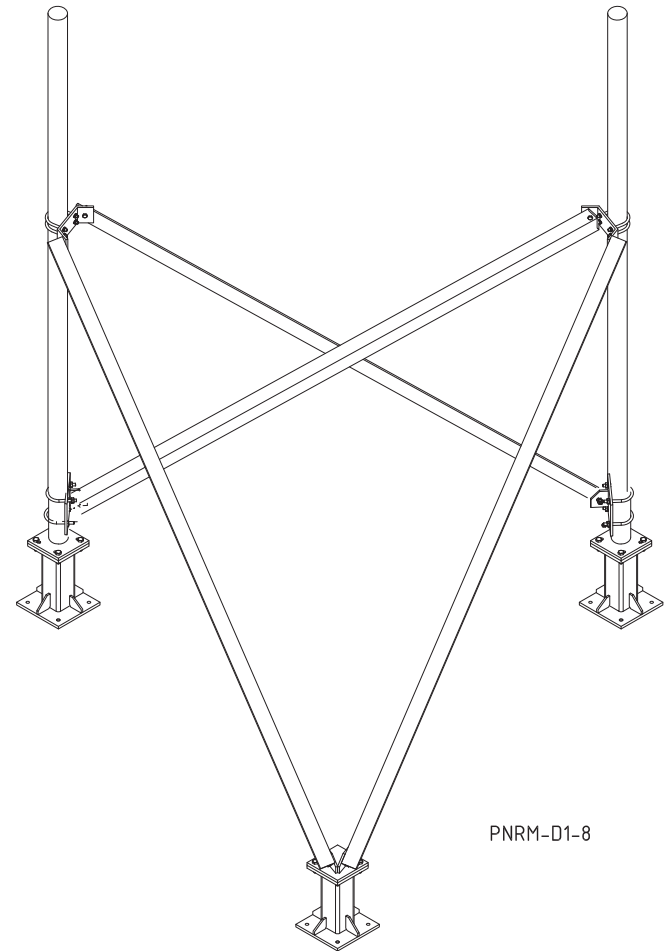
TITLE :			
TRP Non-Penetrating Roof Mount			
DRAWN BY	S.S.	SCALE:	REV DATE: 2016
CHK'D BY	S.S.	DWG. No.	REV.
MANUF. APR	S.S.	TRP-GENERIC & COST	
SALES. APR	J.S.		00



# Penetrating Roof Mounts



PNRM-S1-8

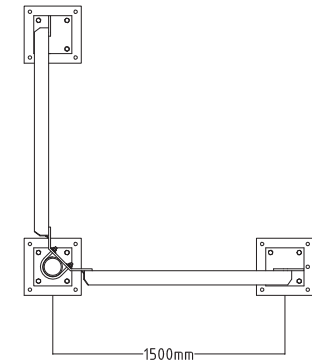
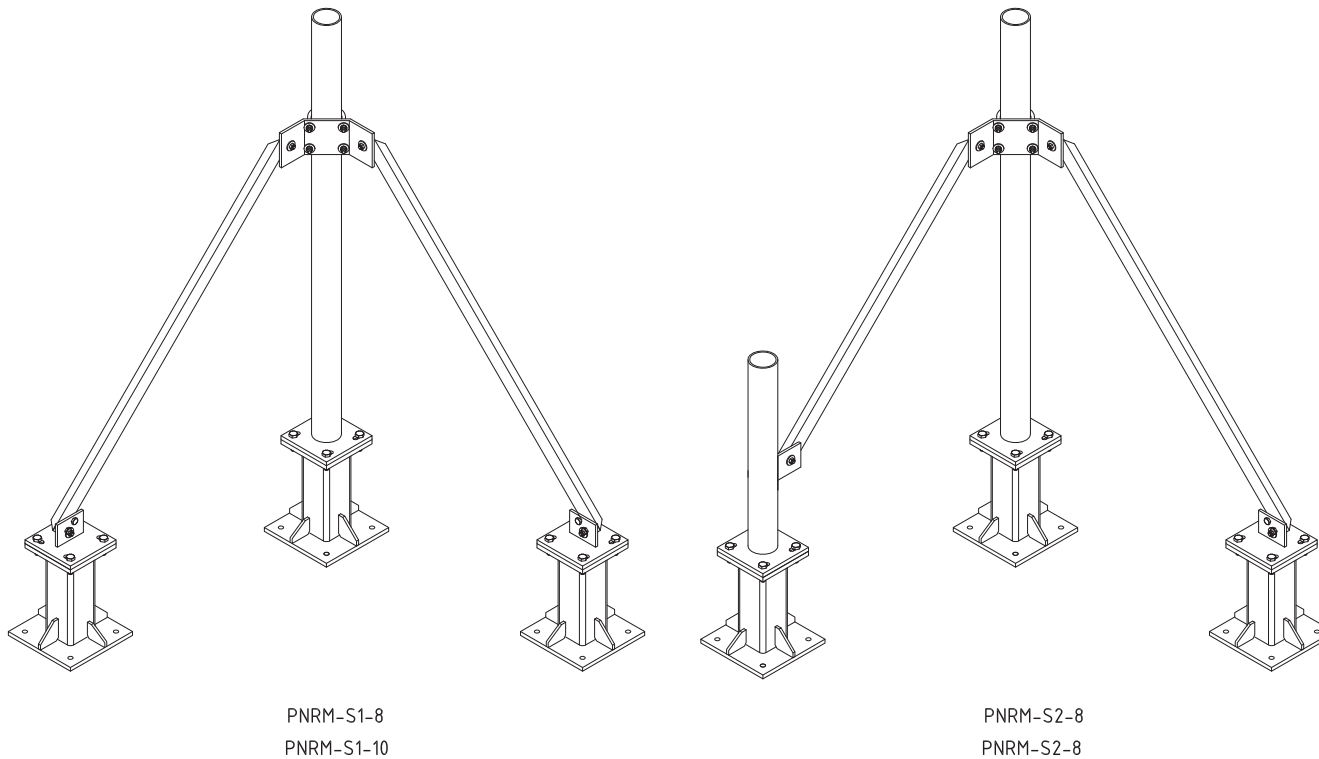


PNRM-D1-8

### Penetrating Roof Mount - Single (PNRM-S)


Single penetrating roof mounts are able to hold antennas and microwaves. The footprints are generally smaller than most ballast mounts with the same load. Secondary pipes are offered for RRU's and other small mounts.

Main Pipe Diameter: 89mm (3 1/2") OD  
 Secondary Pipe Diameter: 73mm (2 7/8") OD  
 Foot Print : 1.5m  
 Height of Braces: 1.5m



PARTNUMBER	PIPE LENGTH	SECONDARY PIPE LENGTH
PNRM-S1-8	2440mm (8')	N/A
PNRM-S2-8	2440mm (8')	1000mm
PNRM-S1-10	3000mm (10')	N/A
PNRM-S2-10	3000mm (10')	1000mm

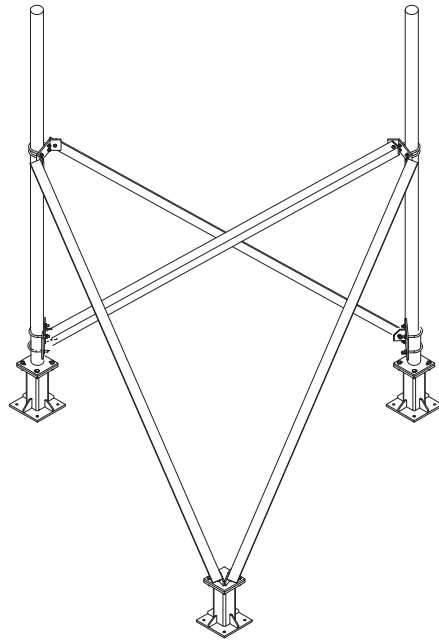
PARTNUMBER	ANCHOR
PNRM-ANCHORSET	5/8" x 8" B7 Threaded Rod

 GORD Telecom Towers 129 Delta Park Blvd., Brampton Ontario L6T 5M8, Canada Tel. 905-791-5800, Fax. 905-791-3325 www.gordtelecom.com			
CUSTOMER: -			
TITLE : Penetrating Roof Mount - Single (PNRM-S)			
DRAWN BY	S.S.	SCALE:	REV DATE: 2014
CHK'D BY	S.S.	DWG. No.	REV
MANUF. APR	J.SH.	Penetrating Mount S-Generic & Cost	
SALES. APR			00

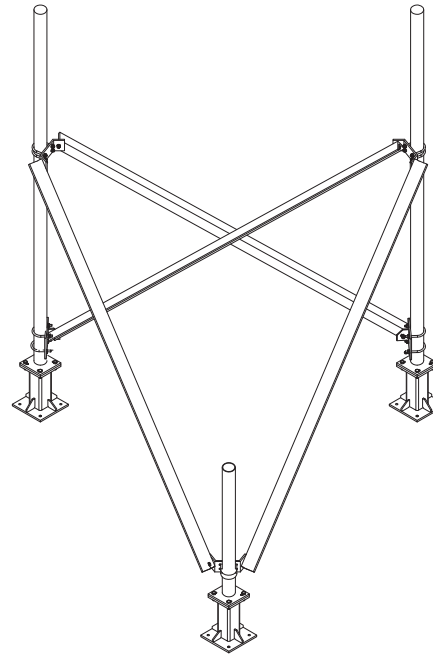
### Penetrating Roof Mount - Double (PNRM-D)

Double penetrating roof mounts are able to hold antenna. Tertiary pipes are offered for RRU's and other small mounts.

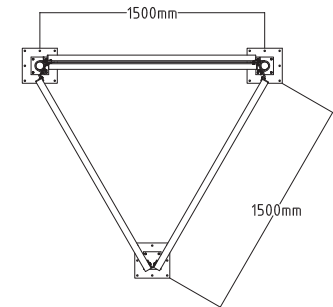
Main Pipe Diameters: 89mm (3 1/2") OD  
 Tertiary Pipe Diameter: 73mm (2 7/8") OD  
 Foot Print : 1.5m  
 Height of Braces: 1.5m



PNRM-D1-8  
 PNRM-D1-10




PNRM-D2-8  
 PNRM-D2-10



PARTNUMBER	PIPE LENGTH	TERTIARY PIPE LENGTH
PNRM-D1-8	2440mm (8')	N/A
PNRM-D2-8	2440mm (8')	1000mm
PNRM-D1-10	3000mm (10')	N/A
PNRM-D2-10	3000mm (10')	1000mm

PARTNUMBER	ANCHOR
PNRM-ANCHORSET	5/8" x 8" B7 Threaded Rod

 GORD Telecom Towers 129 Delta Park Blvd., Brampton Ontario L6T 5M8, Canada Tel. 905-791-5800, Fax. 905-791-3325 www.gordtelecom.com			
CUSTOMER: -			
TITLE : Penetrating Roof Mount - Double (PNRM-D)			
DRAWN BY	S.S.	SCALE:	REV DATE: 2014
CHK'D BY	S.S.	DWG. No.	REV
MANUF. APR	J.SH.	Penetrating Mount D-Generic & Cost	
SALES. APR			00

**Penetrating Roof Mount - Heavy (PNRM-H)**

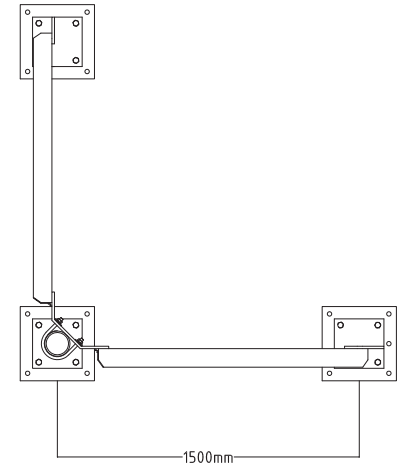
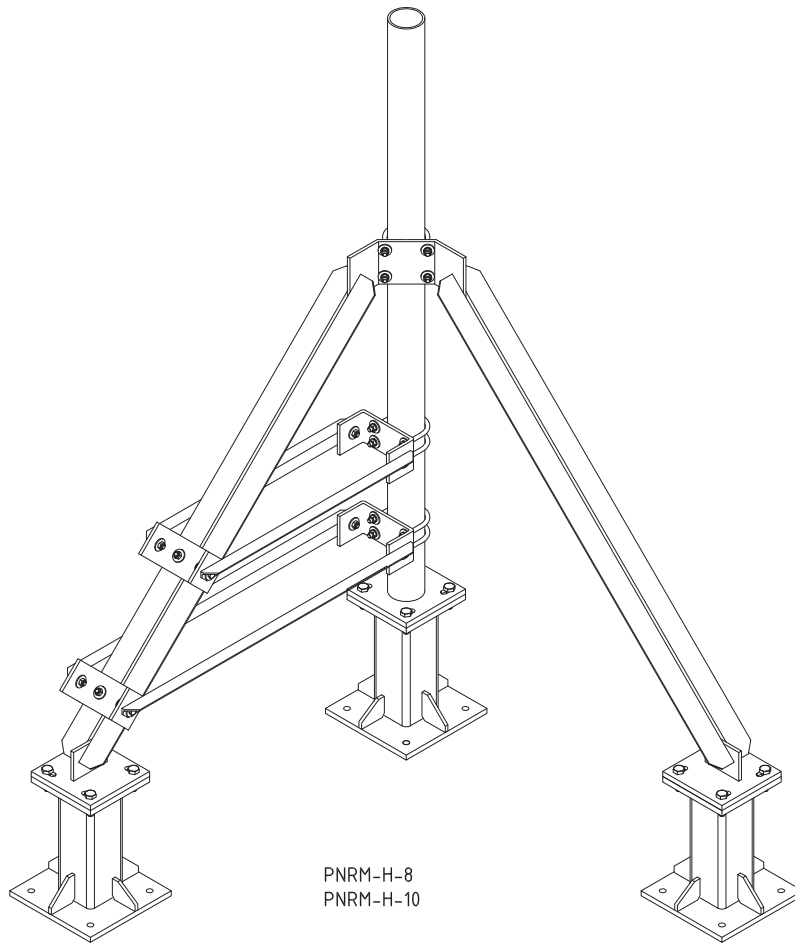
Heavy Penetrating Roof Mounts are designed for single MW or Antenna's in high wind locations. The tower legs are back to back and braces for extra stability.

Perfect for deflection sensitive MW's.

Main Pipe Diameters: 114mm (4 1/2") OD


Foot Print : 1.5m

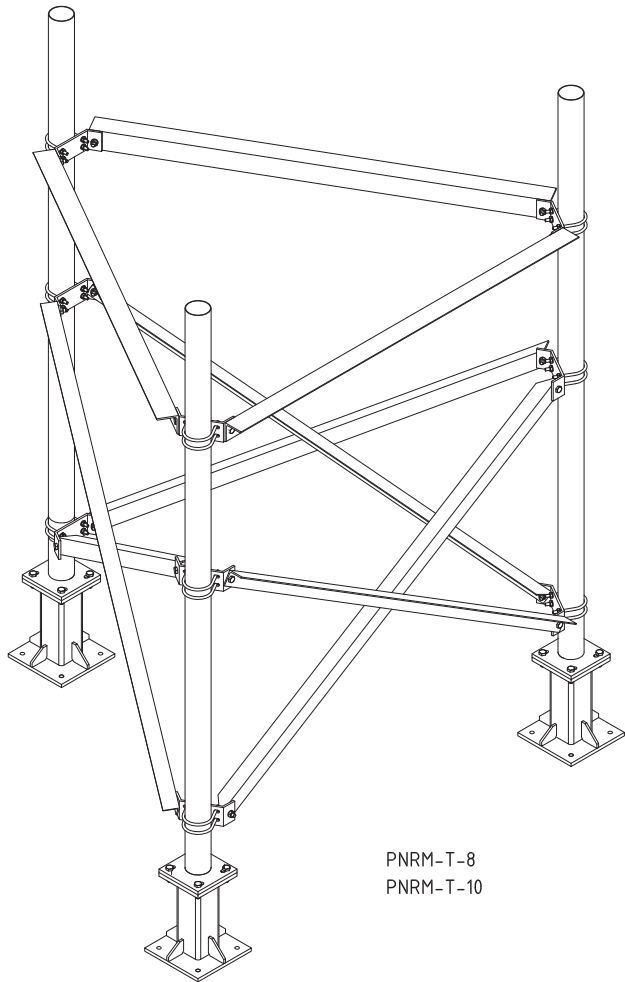
Height of Braces: 1.5m



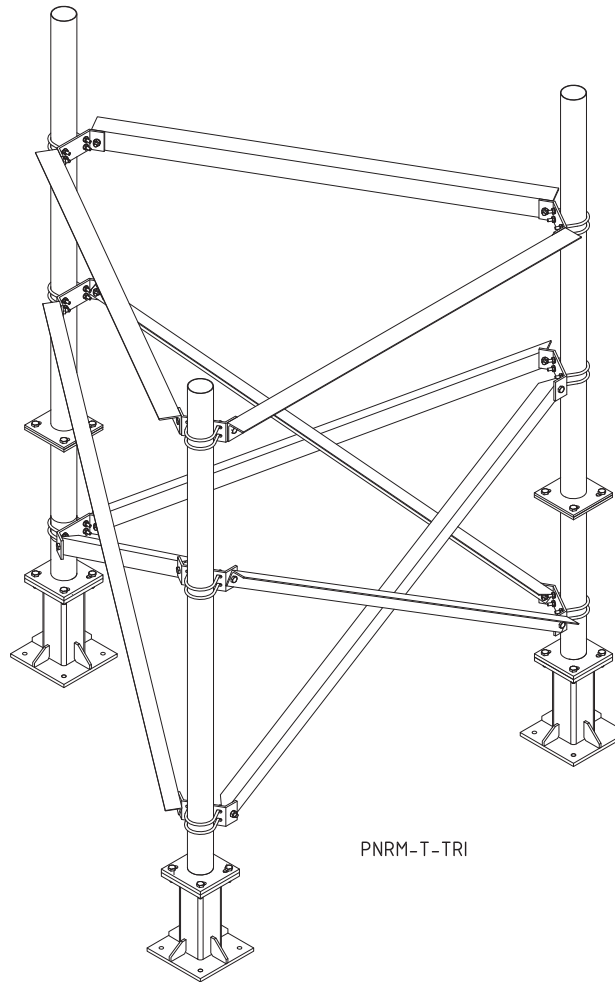
PARTNUMBER	PIPE LENGTH
PNRM-H-8	2440mm (8')
PNRM-H-10	3000mm (10')

PARTNUMBER	ANCHOR
PNRM-ANCHORSET	5/8" x 8" B7 Threaded Rod

 <b>GORD Telecom Towers</b> 129 Delta Park Blvd., Brampton Ontario L6T 5M8, Canada Tel. 905-791-5800, Fax. 905-791-3325 www.gordtelecom.com			
CUSTOMER: -			
TITLE : Penetrating Roof Mount - Heavy (PNRM-H)			
DRAWN BY	S.S.	SCALE:	REV DATE: 2014
CHK'D BY	S.S.	DWG. No.	REV
MANUF. APR	J.SH.	Penetrating Mount H-Generic & Cost	
SALES. APR			00



PNRM-T-8  
PNRM-T-10



PNRM-T-TRI

### Penetrating Roof Mount - Triple (PNRM-T)

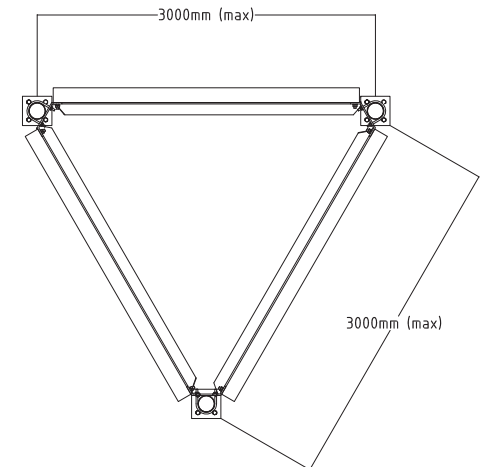
The Triple Penetrating Mount is the largest mount, and also the sturdiest for 3 sector antennas. The base is 3m wide, but can be adjusted smaller..

The PNRM-T-TRI model is designed for a 3 sectored site. This model has (2) 4.5m Pipes and (1) 3m Pipe. The model can hold MW's and Antenna Mounts. All pipes come spliced to maximum 3m.

Main Pipe Diameters: 114mm (4 1/2") OD


Foot Print : 3m (max)

Height of Braces: 1.8m (adjustable)



PARTNUMBER	PIPE LENGTH
PNRM-T-8	2440mm (8')
PNRM-T-10	3000mm (10')
PNRM-T-TRI	4500mm, 4500mm, 3000mm

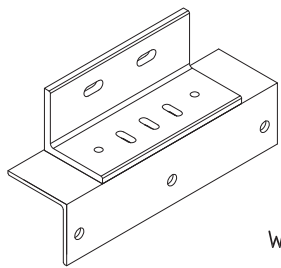
PARTNUMBER	ANCHOR
PNRM-ANCHORSET	5/8" x 8" B7 Threaded Rod

 <b>GORD Telecom Towers</b> 129 Delta Park Blvd., Brampton Ontario L6T 5M8, Canada Tel. 905-791-5800, Fax. 905-791-3325 www.gordtelecom.com			
CUSTOMER: -			
TITLE : Penetrating Roof Mount - Triple (PNRM-T)			
DRAWN BY	S.S.	SCALE:	REV DATE: 2014
CHK'D BY	S.S.	DWG. No.	REV
MANUF,APR	J.SH.	Penetrating Mount T-Generic & Cost	
SALES,APR			00

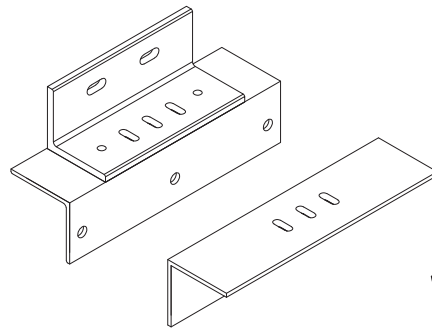


# Wall Mounting - LIGHT

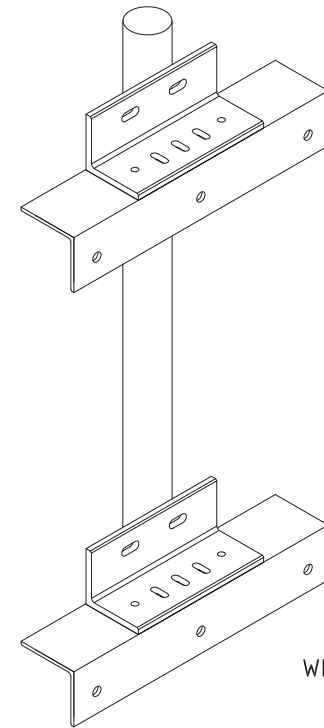
## Combinations



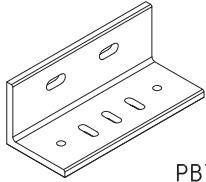
WPB33300



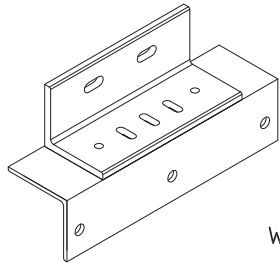
WPB33300-BA



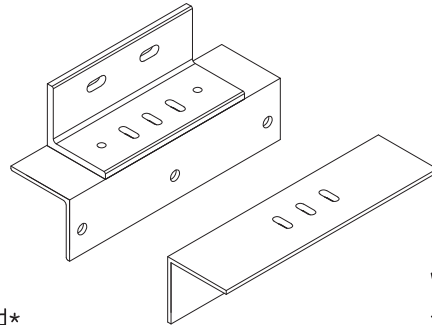
WPB33400-6020



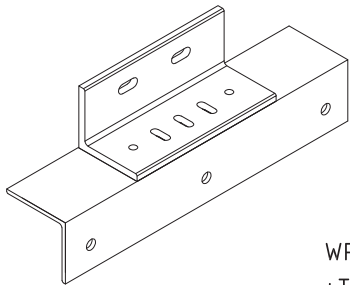
**PB76250**  
\*Threaded Rod NOT Included\*



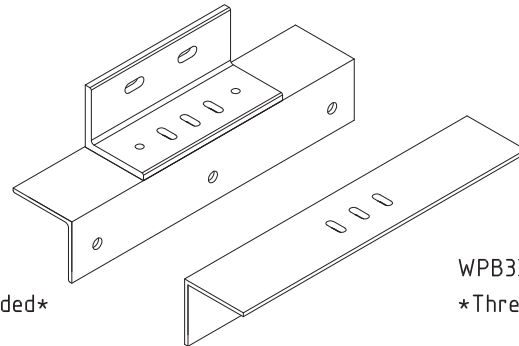
**WPB33300**  
\*Threaded Rod NOT Included\*



**WPB33300-BA**  
\*Threaded Rod Included\*



**WPB33400**  
\*Threaded Rod NOT Included\*



**WPB33400-BA**  
\*Threaded Rod Included\*

**L76x76 (3") Assembly - LIGHT**

This is our lightest duty wall bracket combinations. Perfect for small antennas installed on low or high rise buildings. They are the most cost-effective assemblies. Great for GPS and very small antennas.

Fits 60mm (2 3/8") to (2 7/8") pipes

U-Bolts Included.


Please order pipe separately.

Threaded Rods or Anchors are not included, except for WPB3300-BA & WPB33400-BA.

- NOTES :
- 1- MATERIAL: MIN. 300 MPa PER CAN/CSA-G4-0.21-92.
  - 2- ALL MEMBERS ARE HOT DIP GALVANIZED AFTER FABRICATION PER CAN/CSA G164-92.
  - 3- BOLTS ARE A-325 OR Gr 5 AS SPECIFIED.
  - 4- U-BOLTS ARE C-1018, MIN. 66KSI TENSILE STRENGTH, Gr 5 IS AVAILABLE.
  - 5- H.D. GALVANIZED THREADED RODS ARE B7, MIN. 120 KSI.
  - 6- STAINLESS BOLT/THREADED ROD PER ASTM-A193,TENSILE STR. MIN75 KSI.

PARTNUMBER	PIPE BRACKET FIT
PBA33254	FITS 60mm to 73mm PIPE
WPB33300	FITS 60mm to 73mm PIPE
WPB33300-BA	FITS 60mm to 73mm PIPE
WPB33400	FITS 60mm to 73mm PIPE
WPB33400-BA	FITS 60mm to 73mm PIPE

THREADED RODS - ANCHORS	
PARTNUMBER	DESCRIPTION
WPB33-3x8	3x 5/8" x 8" B7 Threaded Rod
WPB33-3x13	3x 5/8" x 13" B7 Threaded Rod
WPB33-3x18	3x 5/8" x 18" B7 Threaded Rod

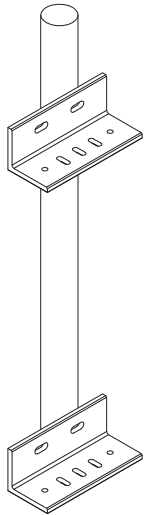
 <b>GORD Telecom Towers</b> 129 Delta Park Blvd., Brampton Ontario L6T 5M8, Canada Tel. 905-791-5800, Fax. 905-791-3325 <a href="http://www.gordtelecom.com">www.gordtelecom.com</a>	
TITLE :	
L76x76 ASSEMBLY - LIGHT	
DRAWN BY S.S.	SCALE: REV DATE: 2016
CHK'D BY S.S.	DWG. No. REV
MANUF,APR S.S.	LIGHT-76-GENERIC & COST
SALES,APR J.S.	00

## L76x76 (3") Assembly - LIGHT - KIT 1

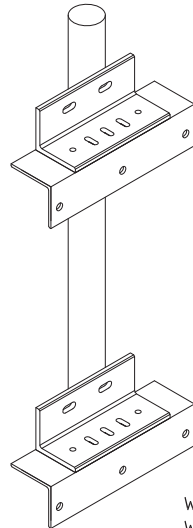
Similar to the Pipe Bracket Combinations on the prior pages, these mounts include standard pipes and hardware. These mounts are complete sets, each pipe is attached to the wall at two connection points. Great for GPS and other small antennas.

U-Bolts, and Bolts included,

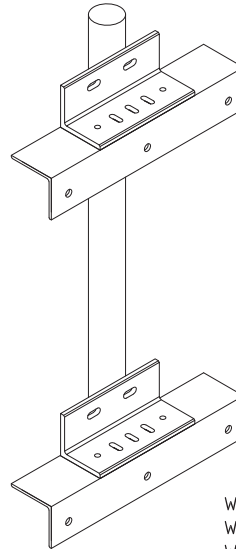
Please order Threaded Rods or Anchors separately.



PBA33254-6020  
PBA33254-6024  
PBA33254-6030  
PBA33254-7320  
PBA33254-7324  
PBA33254-7330  
\*Threaded Rod NOT Included\*



WPB33300-6020  
WPB33300-6024  
WPB33300-6030  
WPB33300-7320  
WPB33300-7324  
WPB33300-7330  
\*Threaded Rod NOT Included\*




WPB33400-6020  
WPB33400-6024  
WPB33400-6030  
WPB33400-7320  
WPB33400-7324  
WPB33400-7330  
\*Threaded Rod NOT Included\*

PARTNUMBER	PIPE	DESCRIPTION
PBA33254-6020	HSS 60 x 4 x 2000mm	254mm LONG PIPE BRACKET ASSEMBLY
PBA33254-6024	HSS 60 x 4 x 2400mm	254mm LONG PIPE BRACKET ASSEMBLY
PBA33254-6030	HSS 60 x 4 x 3000mm	254mm LONG PIPE BRACKET ASSEMBLY
PBA33254-7320	HSS 73 x 5 x 2000mm	254mm LONG PIPE BRACKET ASSEMBLY
PBA33254-7324	HSS 73 x 5 x 2400mm	254mm LONG PIPE BRACKET ASSEMBLY
PBA33254-7330	HSS 73 x 5 x 3000mm	254mm LONG PIPE BRACKET ASSEMBLY
WPB33300-6020	HSS 60 x 4 x 2000mm	300mm WALL BRACKET ASSEMBLY
WPB33300-6024	HSS 60 x 4 x 2400mm	300mm WALL BRACKET ASSEMBLY
WPB33300-6030	HSS 60 x 4 x 3000mm	300mm WALL BRACKET ASSEMBLY
WPB33300-7320	HSS 73 x 5 x 2000mm	300mm WALL BRACKET ASSEMBLY
WPB33300-7324	HSS 73 x 5 x 2400mm	300mm WALL BRACKET ASSEMBLY
WPB33300-7330	HSS 73 x 5 x 3000mm	300mm WALL BRACKET ASSEMBLY
WPB33400-6020	HSS 60 x 4 x 2000mm	400mm WALL BRACKET ASSEMBLY
WPB33400-6024	HSS 60 x 4 x 2400mm	400mm WALL BRACKET ASSEMBLY
WPB33400-6030	HSS 60 x 4 x 3000mm	400mm WALL BRACKET ASSEMBLY
WPB33400-7320	HSS 73 x 5 x 2000mm	400mm WALL BRACKET ASSEMBLY
WPB33400-7324	HSS 73 x 5 x 2400mm	400mm WALL BRACKET ASSEMBLY
WPB33400-7330	HSS 73 x 5 x 3000mm	400mm WALL BRACKET ASSEMBLY

### THREADED RODS - ANCHORS

PARTNUMBER	DESCRIPTION
WPB33-6x8	6x 5/8" x 8" B7 Threaded Rod
WPB33-6x13	6x 5/8" x 13" B7 Threaded Rod
WPB33-6x18	6x 5/8" x 18" B7 Threaded Rod

- NOTES :
- 1- MATERIAL: MIN. 300 MPa PER CAN/CSA-G4-0.21-92.
  - 2- ALL MEMBERS ARE HOT DIP GALVANIZED AFTER FABRICATION PER CAN/CSA G164-92.
  - 3- BOLTS ARE A-325 OR Gr.5 AS SPECIFIED.
  - 4- U-BOLTS ARE L-1018, MIN. 66KSI TENSILE STRENGTH, Gr.5 IS AVAILABLE.
  - 5- H.D. GALVANIZED THREADED RODS ARE B7, MIN. 120 KSI.
  - 6- STAINLESS BOLT/THREADED ROD PER ASTM-A193,TENSILE STR. MIN75 KSI.

 <b>GORD Telecom Towers</b> 129 Delta Park Blvd., Brampton Ontario L6T 5M8, Canada Tel. 905-791-5800, Fax. 905-791-3325 <a href="http://www.gordtelecom.com">www.gordtelecom.com</a>			
TITLE :			
L76x76 ASSEMBLY			
DRAWN BY	S.S.	SCALE:	REV DATE: 2020
CHK'D BY	S.S.	DWG. No.	REV
MANUF,APR	S.S.	Light-76-KIT1-GENERIC & COST	
SALES,APR	J.S.		00

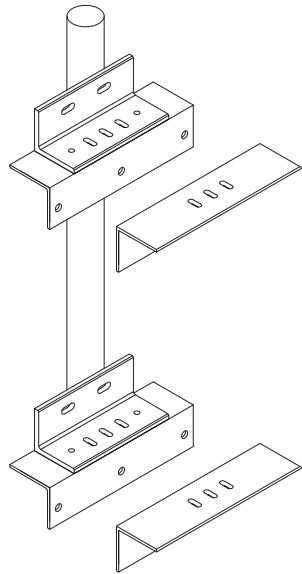
## L76x76 (3") Assembly - LIGHT - KIT 2

Similar to the Pipe Bracket Combinations on the prior pages, these mounts include standard pipes and hardware. These mounts are complete sets, each pipe is attached to the wall at two connection points. Great for GPS and other small antennas.

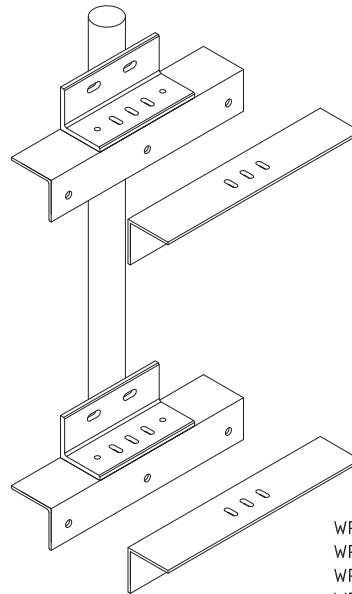
These mounts include back plates and all necessary mounting hardware.

U-Bolts, Bolts & Threaded Rods included.

(6) 5/8" x 18" Grade B7 Threaded Rods are included with each order.




WPB33300-6020B  
 WPB33300-6024B  
 WPB33300-6030B  
 WPB33300-7320B  
 WPB33300-7324B  
 WPB33300-7330B  
 \*Threaded Rod Included\*



WPB33400-6020B  
 WPB33400-6024B  
 WPB33400-6030B  
 WPB33400-7320B  
 WPB33400-7324B  
 WPB33400-7330B  
 \*Threaded Rod Included\*

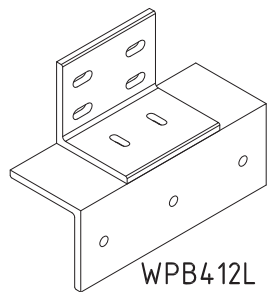
PARTNUMBER	PIPE	DESCRIPTION
WPB33300-6020B	HSS 60 x 4 x 2000mm	300mm WALL BRACKET ASSEMBLY w/ BACKER ANGLE
WPB33300-6024B	HSS 60 x 4 x 2400mm	300mm WALL BRACKET ASSEMBLY w/ BACKER ANGLE
WPB33300-6030B	HSS 60 x 4 x 3000mm	300mm WALL BRACKET ASSEMBLY w/ BACKER ANGLE
WPB33300-7320B	HSS 73 x 5 x 2000mm	300mm WALL BRACKET ASSEMBLY w/ BACKER ANGLE
WPB33300-7324B	HSS 73 x 5 x 2400mm	300mm WALL BRACKET ASSEMBLY w/ BACKER ANGLE
WPB33300-7330B	HSS 73 x 5 x 3000mm	300mm WALL BRACKET ASSEMBLY w/ BACKER ANGLE
WPB33400-6020B	HSS 60 x 4 x 2000mm	400mm WALL BRACKET ASSEMBLY w/ BACKER ANGLE
WPB33400-6024B	HSS 60 x 4 x 2400mm	400mm WALL BRACKET ASSEMBLY w/ BACKER ANGLE
WPB33400-6030B	HSS 60 x 4 x 3000mm	400mm WALL BRACKET ASSEMBLY w/ BACKER ANGLE
WPB33400-7320B	HSS 73 x 5 x 2000mm	400mm WALL BRACKET ASSEMBLY w/ BACKER ANGLE
WPB33400-7324B	HSS 73 x 5 x 2400mm	400mm WALL BRACKET ASSEMBLY w/ BACKER ANGLE
WPB33400-7330B	HSS 73 x 5 x 3000mm	400mm WALL BRACKET ASSEMBLY w/ BACKER ANGLE

- NOTES :
- 1- MATERIAL: MIN. 300 MPa PER CAN/CSA-G40.21-92.
  - 2- ALL MEMBERS ARE HOT DIP GALVANIZED AFTER FABRICATION PER CAN/CSA G164-92.
  - 3- BOLTS ARE A-325 OR Gr5 AS SPECIFIED.
  - 4- U-BOLTS ARE L-1018, MIN. 66KSI TENSILE STRENGTH, Gr5 IS AVAILABLE.
  - 5- H.D. GALVANIZED THREADED RODS ARE B7, MIN. 120 KSI.
  - 6- STAINLESS BOLT/THREADED ROD PER ASTM-A193,TENSILE STR. MIN75 KSI.

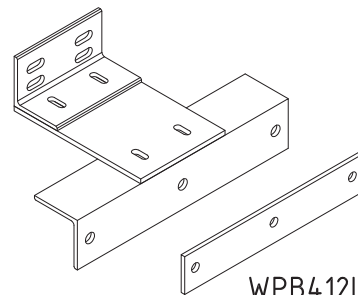
 <b>GORD Telecom Towers</b> 129 Delta Park Blvd., Brampton Ontario L6T 5M8, Canada Tel. 905-791-5800, Fax. 905-791-3325 <a href="http://www.gordtelecom.com">www.gordtelecom.com</a>	
TITLE :	
L76x76 ASSEMBLY BACKER ANGLES	
DRAWN BY S.S.	SCALE:      REV DATE: 2016
CHK'D BY S.S.	DWG. No.      REV
MANUF,APR S.S.	LIGHT-76-KIT2-GENERIC & COST
SALES,APR J.S.	

# Wall Mounting – MEDIUM

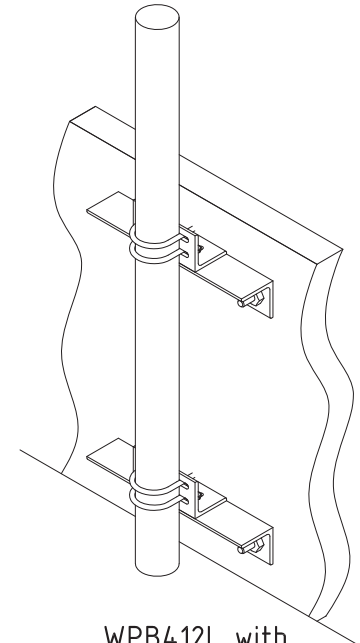
## Combinations



WPB412L

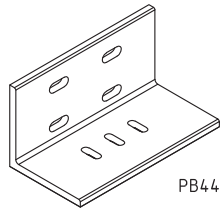


WPB412L with  
BP152300

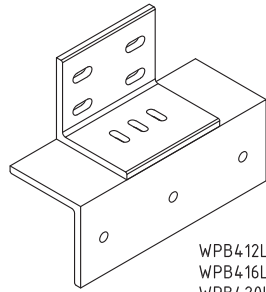


WPB412L with  
HSS 73 x 5 x 8' Pipe

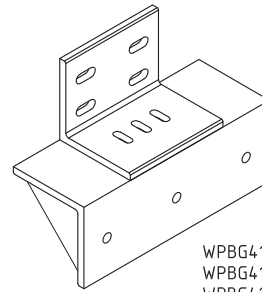




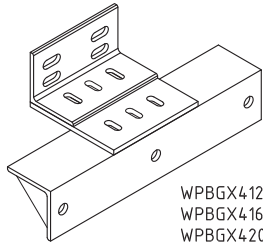
PB4464200L



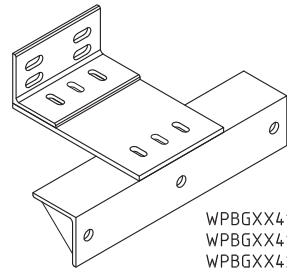
WPB412L  
WPB416L  
WPB420L



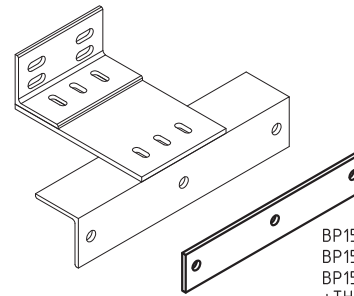
WPBG412L  
WPBG416L  
WPBG420L



WPBGX412L  
WPBGX416L  
WPBGX420L



WPBGXX412L  
WPBGXX416L  
WPBGXX420L



BP152300-A  
BP152400-A  
BP152500-A  
\*THREADED RODS INCLUDED\*

### L102x102 (4") Assembly - MEDIUM

These medium duty wall mount assemblies are ideal for small antenna loads. Each mount is one set, normally a pipe will require two sets. They come with u-bolts and bolts needed for assembly.

U-Bolts Included.

Threaded Rods Sold Separately.

THREADED RODS - ANCHORS	
PARTNUMBER	DESCRIPTION
WPB33-3x8	3x 5/8" x 8" B7 Threaded Rod
WPB33-3x13	3x 5/8" x 13" B7 Threaded Rod
WPB33-3x18	3x 5/8" x 18" B7 Threaded Rod

PARTNUMBER	DESCRIPTION
PB4464200L	200mm PIPE BRACKET ASSEMBLY
WPB412L	300mm WALL BRACKET ASSEMBLY
WPBG412L	300mm WALL BRACKET ASSEMBLY w/ GUSSET
WPBGX412L	300mm WALL BRACKET ASSEMBLY w/ GUSSET & 200mm EXTENTION
WPBGXX412L	300mm WALL BRACKET ASSEMBLY w/ GUSSET & 300mm EXTENTION
BP152300-A	300mm BACK PLATE w/ 18" THREADED ROD ASSEMBLY
WPB416L	400mm WALL BRACKET ASSEMBLY
WPBG416L	400mm WALL BRACKET ASSEMBLY w/ GUSSET
WPBGX416L	400mm WALL BRACKET ASSEMBLY w/ GUSSET & 200mm EXTENTION
WPBGXX416L	400mm WALL BRACKET ASSEMBLY w/ GUSSET & 300mm EXTENTION
BP152400-A	400mm BACK PLATE w/ 18" THREADED ROD ASSEMBLY
WPB420L	500mm WALL BRACKET ASSEMBLY
WPBG420L	500mm WALL BRACKET ASSEMBLY w/ GUSSET
WPBGX420L	500mm WALL BRACKET ASSEMBLY w/ GUSSET & 200mm EXTENTION
WPBGXX420L	500mm WALL BRACKET ASSEMBLY w/ GUSSET & 300mm EXTENTION
BP152500-A	500mm BACK PLATE w/ 18" THREADED ROD ASSEMBLY

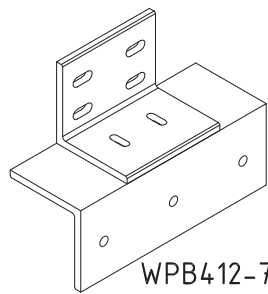
- NOTES :
- 1- MATERIAL: MIN. 300 MPa PER CAN/CSA-G4-0.21-92.
  - 2- ALL MEMBERS ARE HOT DIP GALVANIZED AFTER FABRICATION PER CAN/CSA G164-92.
  - 3- BOLTS ARE A-325 OR Gr5 AS SPECIFIED.
  - 4- U-BOLTS ARE C-1018, MIN. 66KSI TENSILE STRENGTH, Gr5 IS AVAILABLE.
  - 5- H.D. GALVANIZED THREADED RODS ARE B7, MIN. 120 KSI.
  - 6- STAINLESS BOLT/THREADED ROD PER ASTM-A193,TENSILE STR. MIN75 KSI.

**gord** Telecom Towers  
 129 Delta Park Blvd., Brampton  
 Ontario L6T 5M8, Canada  
 Tel. 905-791-5800, Fax. 905-791-3325  
[www.gordtelecom.com](http://www.gordtelecom.com)

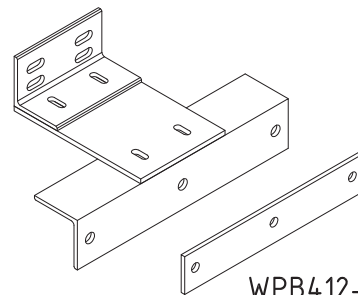
TITLE :			
L102x102 - MEDIUM DUTY			
DRAWN BY	S.S.	SCALE:	REV DATE: 2016
CHK'D BY	S.S.	DWG. No.	REV
MANUF,APR	S.S.	MEDIUM-102-GENERIC & COST	
SALES,APR	J.S.		00

# Wall Mounting - HEAVY

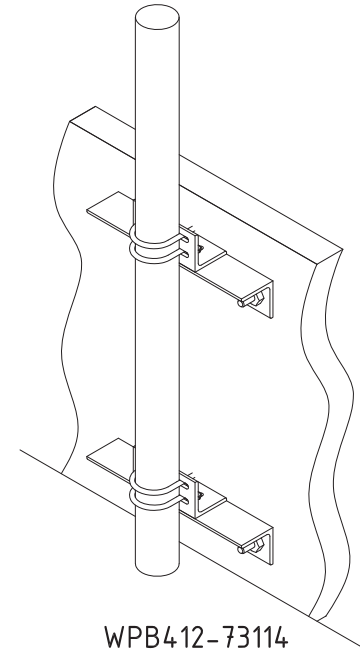
## Combinations



WPB412-73114



WPB412-73114  
with  
BP152300



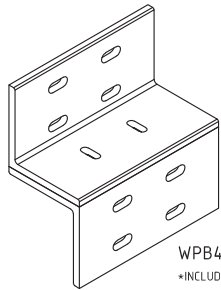
WPB412-73114  
with  
HSS 73 x 5 x 8' Pipe

## L102x102 (4") Assembly - HEAVY

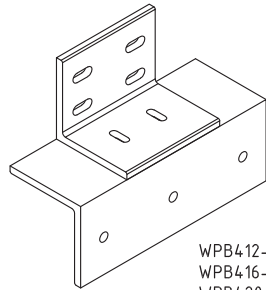
These are several combinations of our wall mounted clips that can be used for roof top installations. Each mount has the option of using gussets, which provide extra stability for larger mounting equipment. Combinations are available with extension plates to offer 12" off-set from the wall. Back plates are also available for easy installation.

U-Bolts Included.

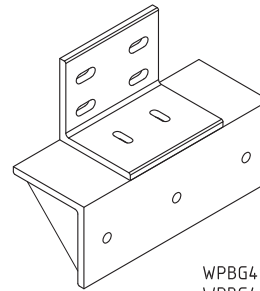
Threaded Rods sold separately.



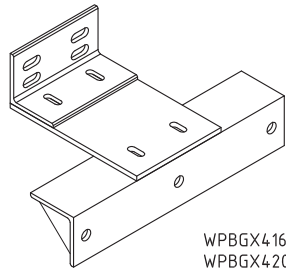
WPB48-73114  
\*INCLUDES (4) U-BOLTS



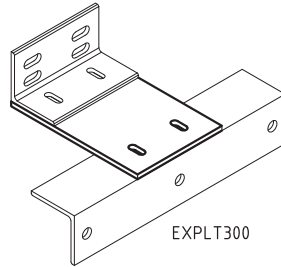
WPB412-73114  
WPB416-73114  
WPB420-73114



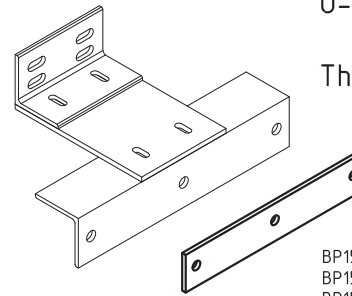
WPBG416-73114  
WPBG420-73114



WPBGX416-73114  
WPBGX420-73114



EXPLT300



BP152300-A  
BP152400-A  
BP152500-A  
\*THREADED RODS INCLUDED\*

THREADED RODS - ANCHORS	
PARTNUMBER	DESCRIPTION
WPB33-3x8	3x 5/8" x 8" B7 Threaded Rod
WPB33-3x13	3x 5/8" x 13" B7 Threaded Rod
WPB33-3x18	3x 5/8" x 18" B7 Threaded Rod

PARTNUMBER	DESCRIPTION
WPB48-73114	200mm Universal Bracket
WPB412-73114	300mm Wall Bracket
BP152300-A	300mm Back Plate with 18" Threaded Rod Assembly
WPB416-73114	400mm Wall Bracket
WPBG416-73114	400mm Wall Bracket w/ Gusset
WPBGX416-73114	400mm Wall Bracket w/ Gusset w/ Extension Plate
BP152400-A	400mm Back Plate with 18" Threaded Rod Assembly
WPB420-73114	500mm Wall Bracket
WPBG420-73114	500mm Wall Bracket w/ Gusset
WPBGX420-73114	500mm Wall Bracket w/ Gusset w/ Extension Plate
BP152500-A	500mm Back Plate with 18" Threaded Rod Assembly
EXPLT300	300mm Extension Plate

- NOTES :
- 1- MATERIAL: MIN. 300 MPa PER CAN/CSA-G40.21-92.
  - 2- ALL MEMBERS ARE HOT DIP GALVANIZED AFTER FABRICATION PER CAN/CSA G164-92.
  - 3- BOLTS ARE A-325 OR Gr 5 AS SPECIFIED.
  - 4- U-BOLTS ARE C-1018, MIN. 66KSI TENSILE STRENGTH, Gr 5 IS AVAILABLE.
  - 5- H.D. GALVANIZED THREADED RODS ARE B7, MIN. 120 KSI.
  - 6- STAINLESS BOLT/THREADED ROD PER ASTM-A193,TENSILE STR. MIN75 KSI.

**gord** Telecom Towers  
129 Delta Park Blvd., Brampton  
Ontario L6T 5M8, Canada  
Tel. 905-791-5800, Fax. 905-791-3325  
www.gordtelecom.com

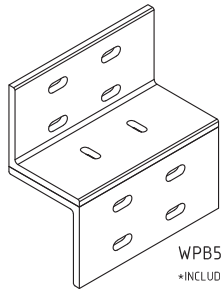
TITLE :			
L102x102 ASSEMBLY - HEAVY			
DRAWN BY	S.S.	SCALE:	REV DATE: 2016
CHK'D BY	S.S.	DWG. No.	REV
MANUF,APR	S.S.	HEAVY-102-GENERIC & COST	00
SALES,APR	J.S.		

## L127x127 (5") Assembly - HEAVY

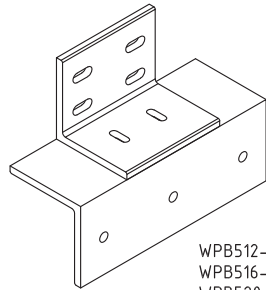
These are several combinations of our wall mounted clips that can be used for roof top installations. Each mount has the option of using gussets, which provide extra stability for larger mounting equipment. Combinations are available with extension plates to offer 12" off-set from the wall. Back plates are also available for easy installation.

U-Bolts Included.

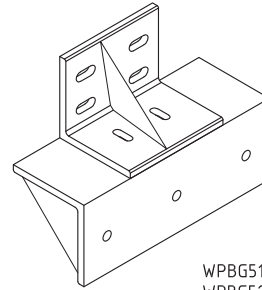
Threaded Rods Sold Separately.



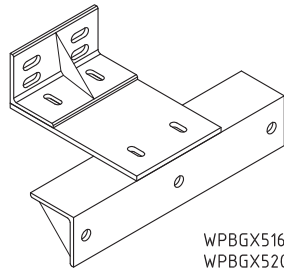
WPB58-73114  
\*INCLUDES (4) U-BOLTS



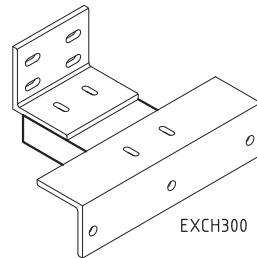
WPB512-73114  
WPB516-73114  
WPB520-73114



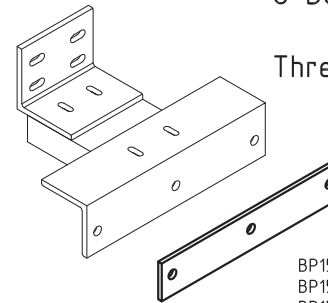
WPBG516-73114  
WPBG520-73114



WPBGX516-73114  
WPBGX520-73114



EXCH300



BP152300-A  
BP152400-A  
BP152500-A  
\*THREADED RODS INCLUDED\*

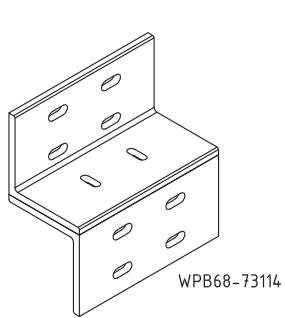
THREADED RODS - ANCHORS	
PARTNUMBER	DESCRIPTION
WPB33-3x8	3x 5/8" x 8" B7 Threaded Rod
WPB33-3x13	3x 5/8" x 13" B7 Threaded Rod
WPB33-3x18	3x 5/8" x 18" B7 Threaded Rod

PARTNUMBER	DESCRIPTION
WPB58-73114	200mm Universal Bracket
WPB512-73114	300mm Wall Bracket
BP152300-A	300mm Back Plate with 18" Threaded Rod Assembly
WPB516-73114	400mm Wall Bracket
WPBG516-73114	400mm Wall Bracket w/ Gusset
WPBGX516-73114	400mm Wall Bracket w/ Gusset w/ Extension Channel
BP152400-A	400mm Back Plate with 18" Threaded Rod Assembly
WPB520-73114	500mm Wall Bracket
WPBG520-73114	500mm Wall Bracket w/ Gusset
WPBGX520-73114	500mm Wall Bracket w/ Gusset w/ Extension Channel
BP152500-A	500mm Back Plate with 18" Threaded Rod Assembly
EXCH300	300mm Extension Channel

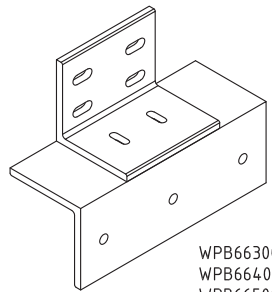
- NOTES :
- 1- MATERIAL: MIN. 300 MPa PER CAN/CSA-G4-0.21-92.
  - 2- ALL MEMBERS ARE HOT DIP GALVANIZED AFTER FABRICATION PER CAN/CSA G164-92.
  - 3- BOLTS ARE A-325 OR Gr 5 AS SPECIFIED.
  - 4- U-BOLTS ARE C-1018, MIN. 66KSI TENSILE STRENGTH, Gr 5 IS AVAILABLE.
  - 5- H.D. GALVANIZED THREADED RODS ARE B7, MIN. 120 KSI.
  - 6- STAINLESS BOLT/THREADED ROD PER ASTM-A193,TENSILE STR. MIN75 KSI.

**gord** Telecom  
 GORD Telecom Towers  
 129 Delta Park Blvd., Brampton  
 Ontario L6T 5M8, Canada  
 Tel. 905-791-5800, Fax. 905-791-3325  
 www.gordtelecom.com

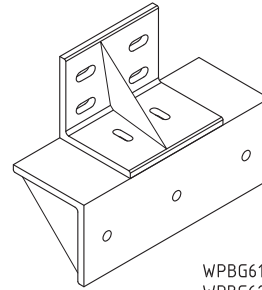
TITLE :			
L127x127 ASSEMBLY - HEAVY			
DRAWN BY	S.S.	SCALE:	REV DATE: 2016
CHK'D BY	S.S.	DWG. No.	REV
MANUF,APR	S.S.	HEAVY-127-GENERIC & COST	00
SALES,APR	J.S.		



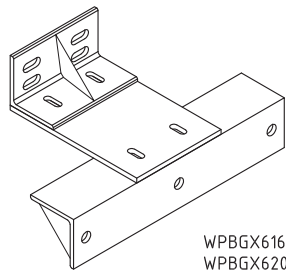
WPB68-73114



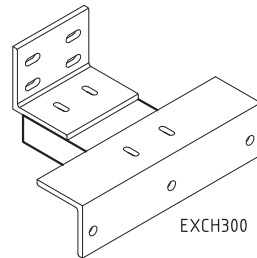
WPB66300  
WPB66400  
WPB66500



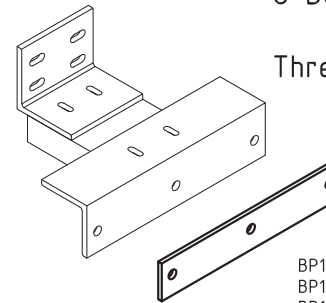
WPBG616-73114  
WPBG620-73114



WPBGX616-73114  
WPBGX620-73114



EXCH300



BP152300-A  
BP152400-A  
BP152500-A  
\*THREADED ROD INCLUDED\*

## L152x152 (6") Assembly - HEAVY

These are several combinations of our wall mounted clips that can be used for roof top installations. Each mount has the option of using gussets, which provide extra stability for larger mounting equipment. Combinations are available with extension plates to offer 12" off-set from the wall. Back plates are also available for easy installation.

U-Bolts Included.

Threaded Rods Sold Separately.

THREADED RODS - ANCHORS	
PARTNUMBER	DESCRIPTION
WPB33-3x8	3x 5/8" x 8" B7 Threaded Rod
WPB33-3x13	3x 5/8" x 13" B7 Threaded Rod
WPB33-3x18	3x 5/8" x 18" B7 Threaded Rod

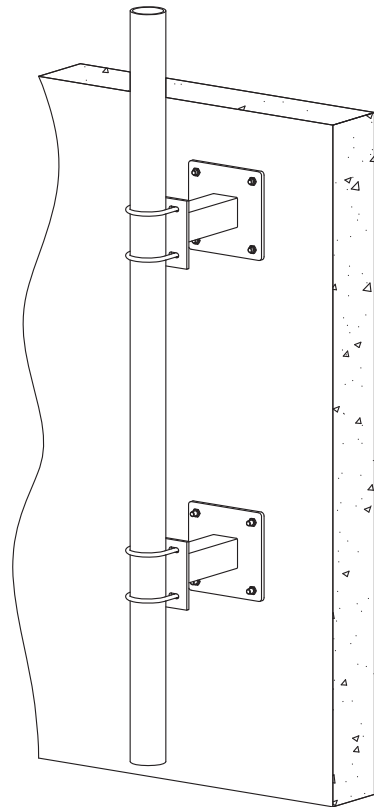
PARTNUMBER	DESCRIPTION
WPB68-73114	200mm Universal Bracket
WPB612-73114	300mm Wall Bracket
BP152300-A	300mm Back Plate with 18" Threaded Rod Assembly
WPB616-73114	400mm Wall Bracket
WPBG616-73114	400mm Wall Bracket w/ Gusset
WPBGX616-73114	400mm Wall Bracket w/ Gusset w/ Extension Channel
BP152400-A	400mm Back Plate with 18" Threaded Rod Assembly
WPB620-73114	500mm Wall Bracket
WPBG620-73114	500mm Wall Bracket w/ Gusset
WPBGX620-73114	500mm Wall Bracket w/ Gusset w/ Extension Channel
BP152500-A	500mm Back Plate with 18" Threaded Rod Assembly
EXCH300	300mm Extension Channel

- NOTES :
- 1- MATERIAL: MIN. 300 MPa PER CAN/CSA-G4-0.21-92.
  - 2- ALL MEMBERS ARE HOT DIP GALVANIZED AFTER FABRICATION PER CAN/CSA G164-92.
  - 3- BOLTS ARE A-325 OR Gr 5 AS SPECIFIED.
  - 4- U-BOLTS ARE C-1018, MIN. 66KSI TENSILE STRENGTH, Gr 5 IS AVAILABLE.
  - 5- H.D. GALVANIZED THREADED RODS ARE B7, MIN. 120 KSI.
  - 6- STAINLESS BOLT/THREADED ROD PER ASTM-A193,TENSILE STR. MIN75 KSI.

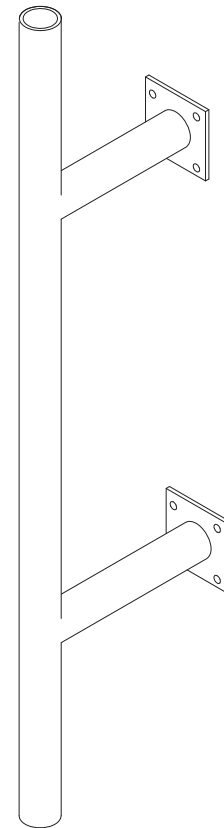
**gord** Telecom Towers  
129 Delta Park Blvd., Brampton  
Ontario L6T 5M8, Canada  
Tel. 905-791-5800, Fax. 905-791-3325  
www.gordtelecom.com

TITLE :			
L152x152 ASSEMBLY - HEAVY			
DRAWN BY	S.S.	SCALE:	REV DATE: 2016
CHK'D BY	S.S.	DWG. No.	REV
MANUF,APR	S.S.	HEAVY-152-GENERIC & COST	00
SALES,APR	J.S.		

# Stand-Off Mounts



WSO-200-76



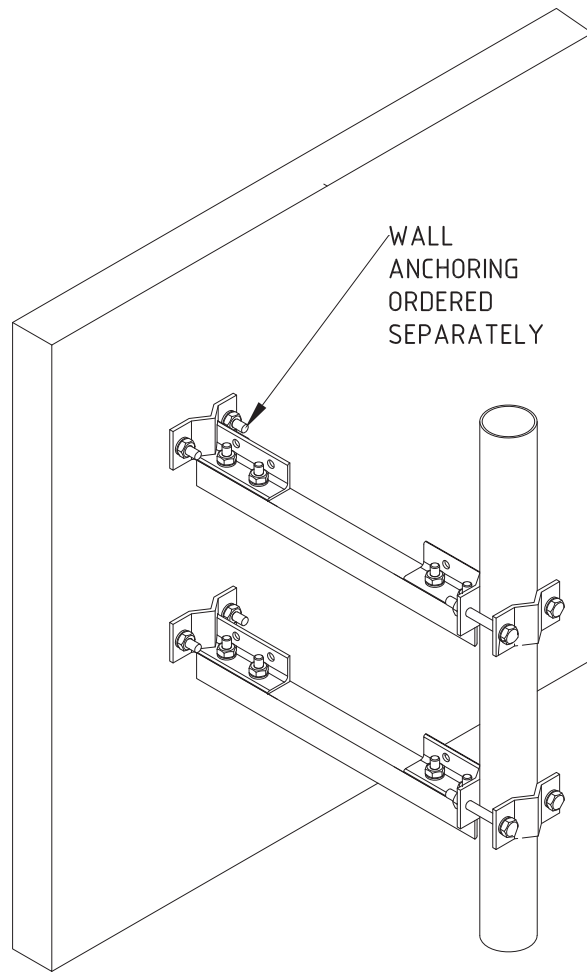
WPSO-01

## XT-Wall (XT-Wall) Light Duty Wall Mount

Light duty wall mount designed to carry small loads. The main pipe is HSS 60mm (2 3/8") and comes in either 7' or 10' lengths. The stand-off is either 1' or 2' long.

Available with no pipe.

Please order the wall anchors separately.



XT1-WALL  
 XT1-WALL-7  
 XT1-WALL-10  
 XT2-WALL  
 XT2-WALL-7  
 XT2-WALL-10

PART NUMBER	DESCRIPTION	STAND-OFF LENGTH
XT1-WALL	XT-Wall Mount (No pipe included)	305mm (1')
XT1-WALL-7	XT-Wall Mount with HSS60x4x7' Pipe	305mm (1')
XT1-WALL-10	XT-Wall Mount with HSS60x4x10' Pipe	305mm (1')
XT2-WALL	XT-Wall Mount (No pipe included)	610mm (2')
XT2-WALL-7	XT-Wall Mount with HSS60x4x7' Pipe	610mm (2')
XT2-WALL-10	XT-Wall Mount with HSS60x4x10' Pipe	610mm (2')
XT-ROD	(4) 1/2" x 13" Grade B7 Threaded Rods	
XT-EXP	(4) 1/2" x 7" KB3 Expanding Head Threaded Rods	
XT-BCK	(4) 1/2" x 18" B7 Threaded Rods with (2) PL300x100x10 Backer Plates	

- NOTES :
- 1- MATERIAL: MIN. 300 MPa PER CAN/CSA-G40.21-92.
  - 2- ALL MEMBERS ARE HOT DIP GALVANIZED AFTER FABRICATION PER CAN/CSA G164-92.
  - 3- BOLTS ARE A-325 OR Gr.5 AS SPECIFIED.
  - 4- U-BOLTS ARE C-1018, MIN. 66KSI TENSILE STRENGTH; Gr.5 IS AVAILABLE.
  - 5- H.D. GALVANIZED THREADED RODS ARE B7, MIN. 120 KSI.
  - 6- STAINLESS BOLT/THREADED ROD PER ASTM-A193,TENSILE STR. MIN75 KSI.

**gord** Telecom Towers  
 129 Delta Park Blvd., Brampton  
 Ontario L6T 5M8, Canada  
 Tel. 905-791-5800, Fax. 905-791-3325  
[www.gordtelecom.com](http://www.gordtelecom.com)

TITLE :			
XT-Wall - Light Duty Wall Mount			
DRAWN BY	S.S.	SCALE:	REV DATE: 2020
CHK'D BY	S.S.	DWG. No.	REV
MANUF,APR	S.S.	XT-Wall Mounting-GENERIC & COST	
SALES,APR	J.S.		00

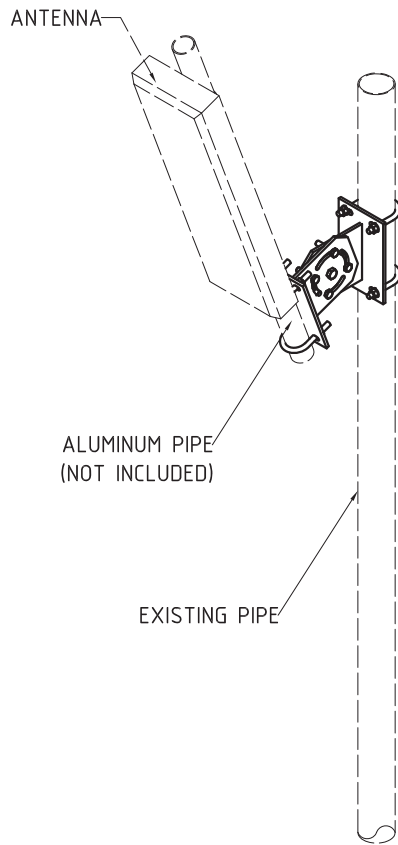
### Antenna Tilting Mount (ATM-DownTilt)

The Antenna Tilting Mount (ATM-DownTilt) is designed to small antenna loads that require a special downtilt mechanism to be added. The mount typically comes with a 73mm (2 7/8") Pipe that is 1300mm long. The pipe is aluminum to lower the weight of the mount.

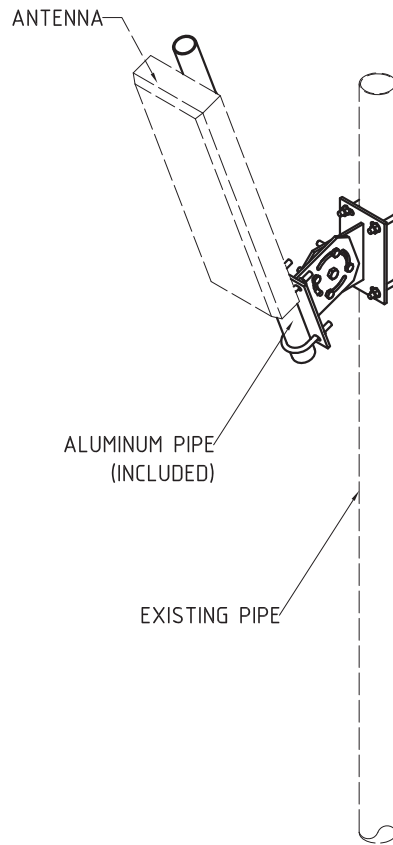
The mount is sold without a pipe as well.

Please specify the size of the existing pipe that will host the ATM-DownTilt. It is capable of attaching to 73mm to 114mm Pipes.

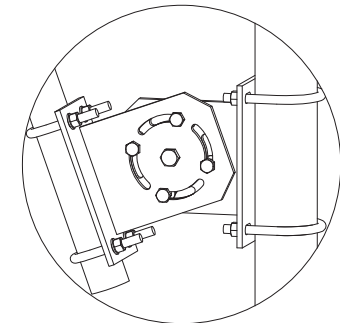
Custom pipe sizes are available. Please contact sales.



ATM-DownTilt-M0



ATM-DownTilt



TILTING MECHANISM DETAIL

- NOTES:
- 1- MATERIAL: MIN. 300 MPa PER CAN/CSA-G4.0.21-92.
  - 2- ALL MEMBERS ARE HOT DIP GALVANIZED AFTER FABRICATION PER CAN/CSA G164-92.
  - 3- BOLTS ARE A-325 OR Gr.5 AS SPECIFIED.
  - 4- U-BOLTS ARE C-1018, MIN. 66KSI TENSILE STRENGTH, Gr.5 IS AVAILABLE.
  - 5- H.D. GALVANIZED THREADED RODS ARE B7, MIN. 120 KSI.
  - 6- STAINLESS BOLT/THREADED ROD PER ASTM-A193,TENSILE STR. MIN75 KSI.

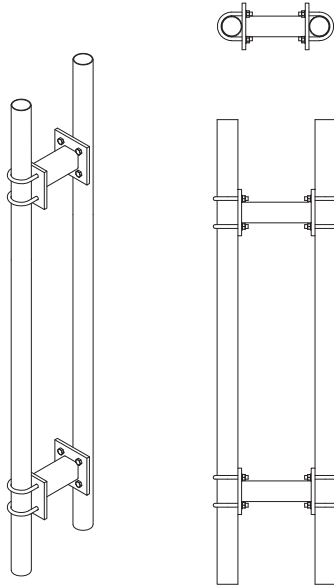
**gord** Telecom  
**GORD Telecom Towers**  
 129 Delta Park Blvd., Brampton  
 Ontario L6T 5M8, Canada  
 Tel. 905-791-5800, Fax. 905-791-3325  
[www.gordtelecom.com](http://www.gordtelecom.com)

TITLE :			
Antenna Tilting Mount ATM-DownTilt			
DRAWN BY	S.S.	SCALE:	REV DATE: 2020
CHK'D BY	S.S.	DWG. No.	REV
MANUF,APR	S.S.	ATM-DownTilt-Generic & Cost	
SALES,APR	J.S.		00

PART NUMBER	DESCRIPTION
ATM-DownTilt-M0	Antenna Downtilt Mount (NO PIPE)
ATM-DownTilt	Antenna Downtilt Mount with 73 x 6 x 1300mm Aluminum Pipe



## STAND-OFF MODELS



PSO-300  
PSO-400  
PSO-500  
PSO-600

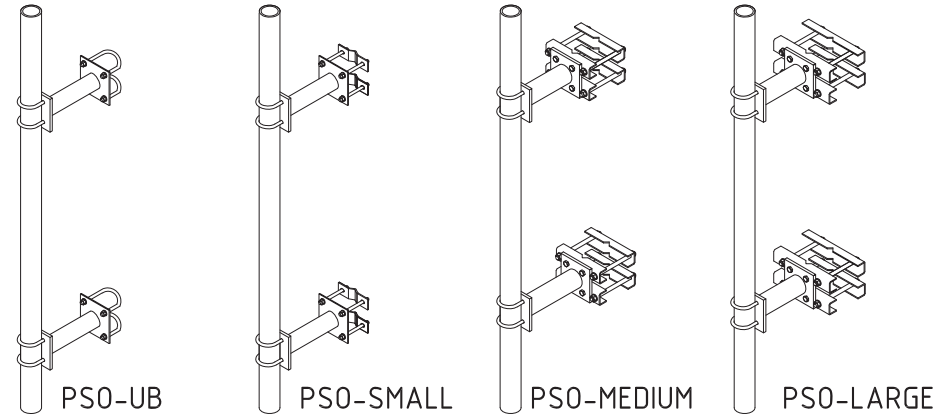
## Pipe Stand-Off Mount (PSO)

The PSO Mount is designed to give a more rigid connection when connecting a new pipe to an existing pipe. The stand-off lengths range from 300mm (12") to 600mm (24"). They are capable of supporting pipes ranging from 73mm (2 <sup>7</sup>/<sub>8</sub>") to 114mm (4 <sup>1</sup>/<sub>2</sub>").

Mounts come with hardware. Please order extra pipes separately. Each PSO comes with (2) Stand-Offs.

Mounting options are listed below.

## MOUNTING OPTIONS



PART NUMBER	Stand-Off Length	MOUNTING HARDWARE	NEW PIPE RANGE	EXISTING PIPE RANGE
PSO-300	300mm	(2) U-BOLTS FOR NEW PIPE	73mm-114mm OD	73mm-114mm OD
PSO-400	400mm	(2) U-BOLTS FOR NEW PIPE	73mm-114mm OD	73mm-114mm OD
PSO-500	500mm	(2) U-BOLTS FOR NEW PIPE	73mm-114mm OD	73mm-114mm OD
PSO-600	600mm	(2) U-BOLTS FOR NEW PIPE	73mm-114mm OD	73mm-114mm OD
PART NUMBER	Stand-Off Length	MOUNTING HARDWARE	EXISTING PIPE RANGE	
PSO-UB	MOUNTING ONLY	(4) U-BOLTS FOR NEW & EXISTING PIPE	73mm-114mm OD	
PSO-SMALL	MOUNTING ONLY	(2) SADDLE CLAMPS & RODS FOR EXISTING PIPE	102mm OD PIPE (MAX)	
PSO-MEDIUM	MOUNTING ONLY	(4) MEDIUM CHANNELS & RODS FOR EXISTING PIPE	142mm OD PIPE & V152 (MAX)	
PSO-LARGE	MOUNTING ONLY	(4) LARGE CHANNELS & RODS FOR EXISTING PIPE	279mm OD PIPE & V203 (MAX)	

- NOTES :
- 1- MATERIAL: MIN. 300 MPa PER CAN/CSA-G40.21-92.
  - 2- ALL MEMBERS ARE HOT DIP GALVANIZED AFTER FABRICATION PER CAN/CSA G164-92.
  - 3- BOLTS ARE A-325 OR Gr.5 AS SPECIFIED.
  - 4- U-BOLTS ARE C-1018, MIN. 66KSI TENSILE STRENGTH, Gr.5 IS AVAILABLE.
  - 5- H.D. GALVANIZED THREADED RODS ARE B7, MIN. 120 KSI.
  - 6- STAINLESS BOLT/THREADED ROD PER ASTM-A193,TENSILE STR. MIN75 KSI.

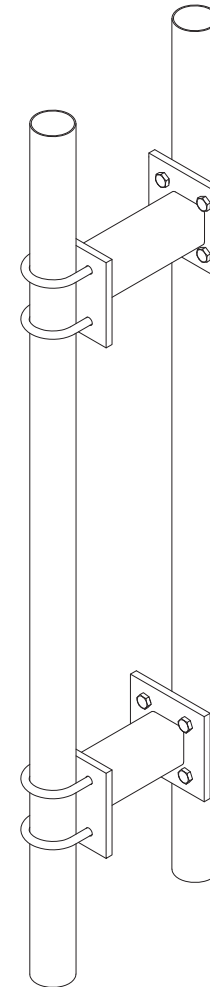
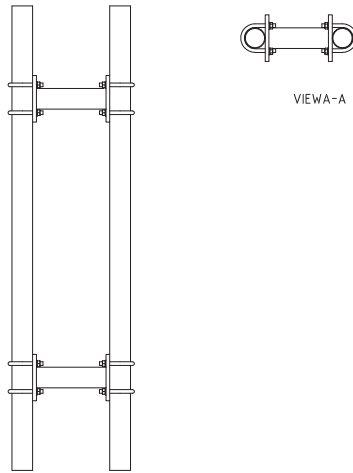
**GORD Telecom**  
GORD Telecom Towers  
129 Delta Park Blvd., Brampton  
Ontario L6T 5M8, Canada  
Tel. 905-791-5800, Fax. 905-791-3325  
www.gordtelecom.com

TITLE :			
PIPE STAND-OFF MOUNT			
DRAWN BY S.S.	SCALE:	REV DATE: 2020	
CHK'D BY S.S.	DWG. No.		REV
MANUF,APR S.S.	PSO-STANDARD-GENERIC & COST		00
SALES,APR J.S.			

## Pipe Stand-Off Mount (PSO) 300mm Stand-Off

The PSO Mount is designed to give a more rigid connection when connecting a new pipe to an existing pipe. The stand-off lengths range from 300mm (12") to 600mm (24"). They are capable of supporting pipes ranging from 73mm (2  $\frac{7}{8}$ ") to 114mm (4  $\frac{1}{2}$ ").

Mounts come with hardware. Please order extra pipes separately.

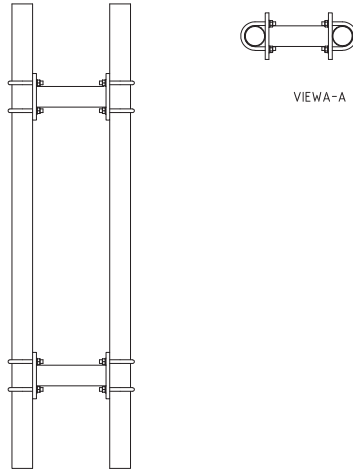


- NOTES :
- 1- MATERIAL: MIN. 300 MPa PER CAN/CSA-G40.21-92.
  - 2- ALL MEMBERS ARE HOT DIP GALVANIZED AFTER FABRICATION PER CAN/CSA G164-92.
  - 3- BOLTS ARE A-325 OR Gr.5 AS SPECIFIED.
  - 4- U-BOLTS ARE C-1018, MIN. 66KSI TENSILE STRENGTH; Gr.5 IS AVAILABLE.
  - 5- H.D. GALVANIZED THREADED RODS ARE B7, MIN. 120 KSI.
  - 6- STAINLESS BOLT/THREADED ROD PER ASTM-A193,TENSILE STR. MIN75 KSI.

PART NUMBER	Stand-Off Length	U-Bolts for 1st Pipe	U-Bolts for 2nd Pipe
PSO-300-7373	300mm	73mm OD	73mm OD
PSO-300-7389	300mm	73mm OD	89mm OD
PSO-300-73102	300mm	73mm OD	102mm OD
PSO-300-73114	300mm	73mm OD	114mm OD
PSO-300-7389	300mm	89mm OD	73mm OD
PSO-300-8989	300mm	89mm OD	89mm OD
PSO-300-89102	300mm	89mm OD	102mm OD
PSO-300-89114	300mm	89mm OD	114mm OD
PSO-300-73102	300mm	102mm OD	73mm OD
PSO-300-89102	300mm	102mm OD	89mm OD
PSO-300-102102	300mm	102mm OD	102mm OD
PSO-300-102114	300mm	102mm OD	114mm OD
PSO-300-73114	300mm	114mm OD	73mm OD
PSO-300-89114	300mm	114mm OD	89mm OD
PSO-300-102114	300mm	114mm OD	102mm OD
PSO-300-114114	300mm	114mm OD	114mm OD

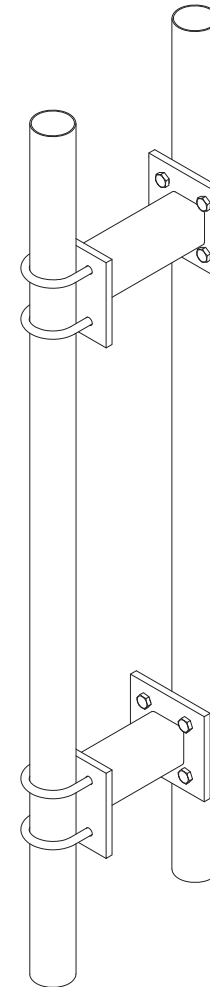
<b>gord</b> Telecom		<b>GORD Telecom Towers</b> 129 Delta Park Blvd., Brampton Ontario L6T 5M8, Canada Tel. 905-791-5800, Fax. 905-791-3325 www.gordtelecom.com	
TITLE :			
PIPE STAND-OFF MOUNT			
DRAWN BY	S.S.	SCALE:	REV DATE: 2016
CHK'D BY	S.S.	DWG. No.	REV
MANUF,APR	S.S.	PSO-GENERIC & COST	
SALES,APR	J.S.	00	

## Pipe Stand-Off Mount (PSO) 400mm Stand-Off



The PSO Mount is designed to give a more rigid connection when connecting a new pipe to an existing pipe. The stand-off lengths range from 300mm (12") to 600mm (24"). They are capable of supporting pipes ranging from 73mm (2  $\frac{7}{8}$ ") to 114mm (4  $\frac{1}{2}$ ").

Mounts come with hardware. Please order extra pipes separately.



- NOTES :
- 1- MATERIAL: MIN. 300 MPa PER CAN/CSA-G40.21-92.
  - 2- ALL MEMBERS ARE HOT DIP GALVANIZED AFTER FABRICATION PER CAN/CSA G164-92.
  - 3- BOLTS ARE A-325 OR Gr.5 AS SPECIFIED.
  - 4- U-BOLTS ARE C-1018, MIN. 66KSI TENSILE STRENGTH; Gr.5 IS AVAILABLE.
  - 5- H.D. GALVANIZED THREADED RODS ARE B7, MIN. 120 KSI.
  - 6- STAINLESS BOLT/THREADED ROD PER ASTM-A193,TENSILE STR. MIN75 KSI.

PART NUMBER	Stand-Off Length	U-Bolts for 1st Pipe	U-Bolts for 2nd Pipe
PSO-400-7373	400mm	73mm OD	73mm OD
PSO-400-7389	400mm	73mm OD	89mm OD
PSO-400-73102	400mm	73mm OD	102mm OD
PSO-400-73114	400mm	73mm OD	114mm OD
PSO-400-7389	400mm	89mm OD	73mm OD
PSO-400-8989	400mm	89mm OD	89mm OD
PSO-400-89102	400mm	89mm OD	102mm OD
PSO-400-89114	400mm	89mm OD	114mm OD
PSO-400-73102	400mm	102mm OD	73mm OD
PSO-400-89102	400mm	102mm OD	89mm OD
PSO-400-102102	400mm	102mm OD	102mm OD
PSO-400-102114	400mm	102mm OD	114mm OD
PSO-400-73114	400mm	114mm OD	73mm OD
PSO-400-89114	400mm	114mm OD	89mm OD
PSO-400-102114	400mm	114mm OD	102mm OD
PSO-400-114114	400mm	114mm OD	114mm OD

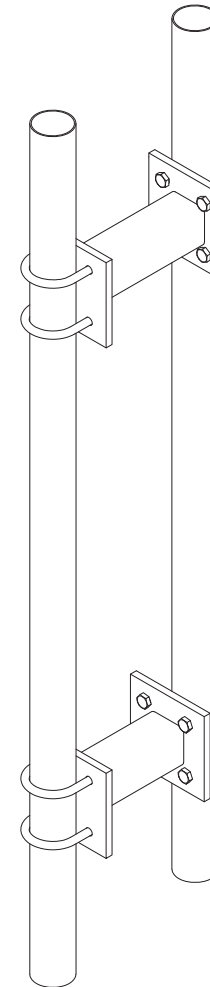
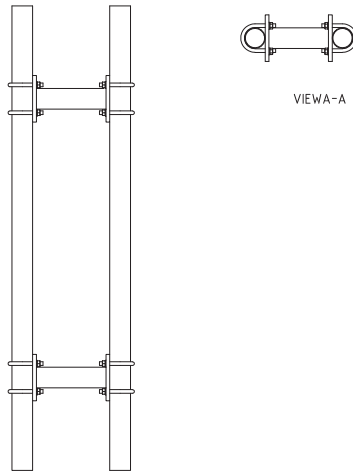
**gord Telecom** GORD Telecom Towers  
 129 Delta Park Blvd., Brampton  
 Ontario L6T 5M8, Canada  
 Tel. 905-791-5800, Fax. 905-791-3325  
[www.gordtelecom.com](http://www.gordtelecom.com)

TITLE :			
PIPE STAND-OFF MOUNT			
DRAWN BY	S.S.	SCALE:	REV DATE: 2016
CHK'D BY	S.S.	DWG. No.	REV
MANUF,APR	S.S.	PSO2-GENERIC & COST	
SALES,APR	J.S.	00	

## Pipe Stand-Off Mount (PSO) 500mm Stand-Off

The PSO Mount is designed to give a more rigid connection when connecting a new pipe to an existing pipe. The stand-off lengths range from 300mm (12") to 600mm (24"). They are capable of supporting pipes ranging from 73mm (2  $\frac{7}{8}$ ") to 114mm (4  $\frac{1}{2}$ ").

Mounts come with hardware. Please order extra pipes separately.

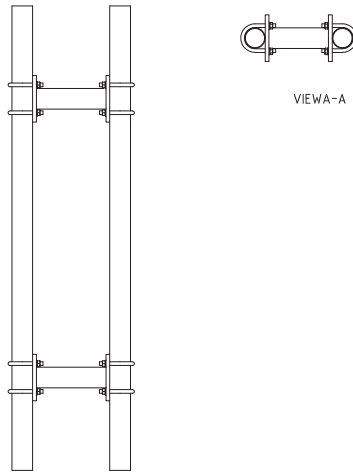


- NOTES :
- 1- MATERIAL: MIN. 300 MPa PER CAN/CSA-G40.21-92.
  - 2- ALL MEMBERS ARE HOT DIP GALVANIZED AFTER FABRICATION PER CAN/CSA G164-92.
  - 3- BOLTS ARE A-325 OR Gr.5 AS SPECIFIED.
  - 4- U-BOLTS ARE C-1018, MIN. 66KSI TENSILE STRENGTH; Gr.5 IS AVAILABLE.
  - 5- H.D. GALVANIZED THREADED RODS ARE B7, MIN. 120 KSI.
  - 6- STAINLESS BOLT/THREADED ROD PER ASTM-A193,TENSILE STR. MIN75 KSI.

PART NUMBER	Stand-Off Length	U-Bolts for 1st Pipe	U-Bolts for 2nd Pipe
PSO-500-7373	500mm	73mm OD	73mm OD
PSO-500-7389	500mm	73mm OD	89mm OD
PSO-500-73102	500mm	73mm OD	102mm OD
PSO-500-73114	500mm	73mm OD	114mm OD
PSO-500-7389	500mm	89mm OD	73mm OD
PSO-500-8989	500mm	89mm OD	89mm OD
PSO-500-89102	500mm	89mm OD	102mm OD
PSO-500-89114	500mm	89mm OD	114mm OD
PSO-500-73102	500mm	102mm OD	73mm OD
PSO-500-89102	500mm	102mm OD	89mm OD
PSO-500-102102	500mm	102mm OD	102mm OD
PSO-500-102114	500mm	102mm OD	114mm OD
PSO-500-73114	500mm	114mm OD	73mm OD
PSO-500-89114	500mm	114mm OD	89mm OD
PSO-500-102114	500mm	114mm OD	102mm OD
PSO-500-114114	500mm	114mm OD	114mm OD

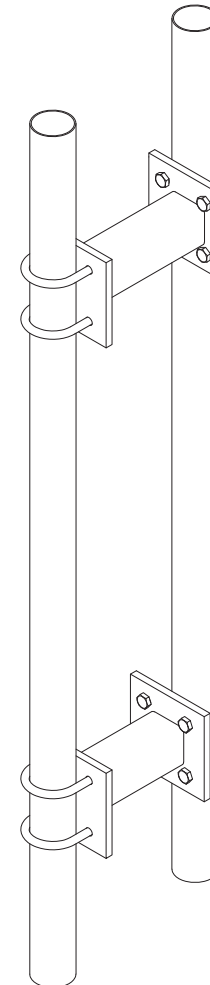
<b>gord</b> Telecom		<b>GORD Telecom Towers</b> 129 Delta Park Blvd., Brampton Ontario L6T 5M8, Canada Tel. 905-791-5800, Fax. 905-791-3325 <a href="http://www.gordtelecom.com">www.gordtelecom.com</a>	
TITLE :			
PIPE STAND-OFF MOUNT			
DRAWN BY	S.S.	SCALE:	REV DATE: 2016
CHK'D BY	S.S.	DWG. No.	REV
MANUF,APR	S.S.	PSO3-GENERIC & COST	
SALES,APR	J.S.	00	

## Pipe Stand-Off Mount (PSO) 600mm Stand-Off



The PSO Mount is designed to give a more rigid connection when connecting a new pipe to an existing pipe. The stand-off lengths range from 300mm (12") to 600mm (24"). They are capable of supporting pipes ranging from 73mm (2 <sup>7</sup>/<sub>8</sub>") to 114mm (4 <sup>1</sup>/<sub>2</sub>").

Mounts come with hardware. Please order extra pipes separately.



- NOTES :
- 1- MATERIAL: MIN. 300 MPa PER CAN/CSA-G40.21-92.
  - 2- ALL MEMBERS ARE HOT DIP GALVANIZED AFTER FABRICATION PER CAN/CSA G164-92.
  - 3- BOLTS ARE A-325 OR Gr.5 AS SPECIFIED.
  - 4- U-BOLTS ARE C-1018, MIN. 66KSI TENSILE STRENGTH; Gr.5 IS AVAILABLE.
  - 5- H.D. GALVANIZED THREADED RODS ARE B7, MIN. 120 KSI.
  - 6- STAINLESS BOLT/THREADED ROD PER ASTM-A193,TENSILE STR. MIN75 KSI.

PART NUMBER	Stand-Off Length	U-Bolts for 1st Pipe	U-Bolts for 2nd Pipe
PSO-600-7373	600mm	73mm OD	73mm OD
PSO-600-7389	600mm	73mm OD	89mm OD
PSO-600-73102	600mm	73mm OD	102mm OD
PSO-600-73114	600mm	73mm OD	114mm OD
PSO-600-7389	600mm	89mm OD	73mm OD
PSO-600-8989	600mm	89mm OD	89mm OD
PSO-600-89102	600mm	89mm OD	102mm OD
PSO-600-89114	600mm	89mm OD	114mm OD
PSO-600-73102	600mm	102mm OD	73mm OD
PSO-600-89102	600mm	102mm OD	89mm OD
PSO-600-102102	600mm	102mm OD	102mm OD
PSO-600-102114	600mm	102mm OD	114mm OD
PSO-600-73114	600mm	114mm OD	73mm OD
PSO-600-89114	600mm	114mm OD	89mm OD
PSO-600-102114	600mm	114mm OD	102mm OD
PSO-600-114114	600mm	114mm OD	114mm OD

**gord Telecom** GORD Telecom Towers  
 129 Delta Park Blvd., Brampton  
 Ontario L6T 5M8, Canada  
 Tel. 905-791-5800, Fax. 905-791-3325  
[www.gordtelecom.com](http://www.gordtelecom.com)

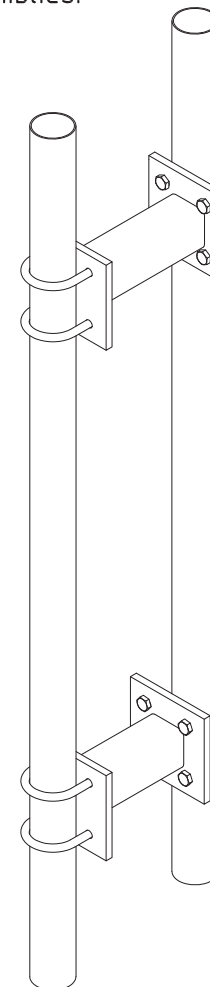
TITLE :			
PIPE STAND-OFF MOUNT			
DRAWN BY	S.S.	SCALE:	REV DATE: 2016
CHK'D BY	S.S.	DWG. No.	REV
MANUF,APR	S.S.	PSO4-GENERIC & COST	
SALES,APR	J.S.	00	

## Pipe Stand-Off Mount (PSO) 300mm Assemblies

These PSO Mounts are part of a complete package which includes (2) Stand-Offs, (1) Pipe and (8) U-Bolts to allow complete installation of the mounts.

They are capable of supporting pipes ranging from 73mm (2  $\frac{7}{8}$ "") to 114mm (4  $\frac{1}{2}$ "").

Mounts come with hardware & pipes as part of full assemblies.



- NOTES :
- 1- MATERIAL: MIN. 300 MPa PER CAN/CSA-G40.21-92.
  - 2- ALL MEMBERS ARE HOT DIP GALVANIZED AFTER FABRICATION PER CAN/CSA G164-92.
  - 3- BOLTS ARE A-325 OR Gr.5 AS SPECIFIED.
  - 4- U-BOLTS ARE C-1018, MIN. 66KSI TENSILE STRENGTH; Gr.5 IS AVAILABLE.
  - 5- H.D. GALVANIZED THREADED RODS ARE B7, MIN. 120 KSI.
  - 6- STAINLESS BOLT/THREADED ROD PER ASTM-A193,TENSILE STR. MIN75 KSI.

**gord** Telecom  
**GORD Telecom Towers**  
 129 Delta Park Blvd., Brampton  
 Ontario L6T 5M8, Canada  
 Tel. 905-791-5800, Fax. 905-791-3325  
[www.gordtelecom.com](http://www.gordtelecom.com)

TITLE : PIPE STAND-OFF MOUNT ASSEMBLIES

DRAWN BY	S.S.	SCALE:	REV DATE: 2016	
CHK'D BY	S.S.	DWG. No.		REV
MANUF,APR	S.S.	PSO-Assembly1-GENERIC & COST		
SALES,APR	J.S.			00

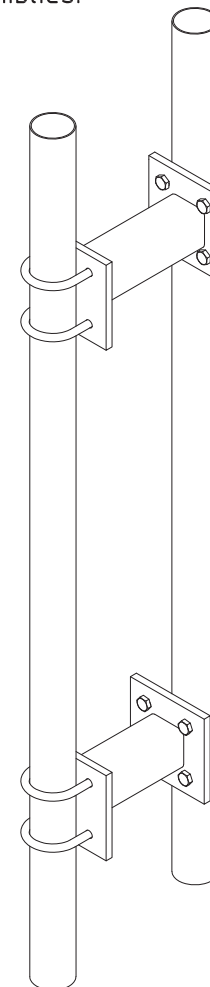
PART NUMBER	Stand-Off Length	Vertical Pipe Required	Existing Pipe
PSO-300-727	300mm	HSS 73 x 5 x 2400mm	73mm OD
PSO-300-728	300mm	HSS 73 x 5 x 2400mm	89mm OD
PSO-300-7210	300mm	HSS 73 x 5 x 2400mm	102mm OD
PSO-300-7211	300mm	HSS 73 x 5 x 2400mm	114mm OD
PSO-300-737	300mm	HSS 73 x 5 x 3000mm	73mm OD
PSO-300-738	300mm	HSS 73 x 5 x 3000mm	89mm OD
PSO-300-7310	300mm	HSS 73 x 5 x 3000mm	102mm OD
PSO-300-7311	300mm	HSS 73 x 5 x 3000mm	114mm OD
PSO-300-827	300mm	HSS 89 x 5 x 2400mm	73mm OD
PSO-300-828	300mm	HSS 89 x 5 x 2400mm	89mm OD
PSO-300-8210	300mm	HSS 89 x 5 x 2400mm	102mm OD
PSO-300-8211	300mm	HSS 89 x 5 x 2400mm	114mm OD
PSO-300-837	300mm	HSS 89 x 5 x 3000mm	73mm OD
PSO-300-838	300mm	HSS 89 x 5 x 3000mm	89mm OD
PSO-300-8310	300mm	HSS 89 x 5 x 3000mm	102mm OD
PSO-300-8311	300mm	HSS 89 x 5 x 3000mm	114mm OD
PSO-300-1027	300mm	HSS 102 x 5 x 2400mm	73mm OD
PSO-300-1028	300mm	HSS 102 x 5 x 2400mm	89mm OD
PSO-300-10210	300mm	HSS 102 x 5 x 2400mm	102mm OD
PSO-300-10211	300mm	HSS 102 x 5 x 2400mm	114mm OD
PSO-300-1037	300mm	HSS 102 x 5 x 3000mm	73mm OD
PSO-300-1038	300mm	HSS 102 x 5 x 3000mm	89mm OD
PSO-300-10310	300mm	HSS 102 x 5 x 3000mm	102mm OD
PSO-300-10311	300mm	HSS 102 x 5 x 3000mm	114mm OD
PSO-300-1127	300mm	HSS 114 x 5 x 2400mm	73mm OD
PSO-300-1128	300mm	HSS 114 x 5 x 2400mm	89mm OD
PSO-300-11210	300mm	HSS 114 x 5 x 2400mm	102mm OD
PSO-300-11211	300mm	HSS 114 x 5 x 2400mm	114mm OD
PSO-300-1137	300mm	HSS 114 x 5 x 3000mm	73mm OD
PSO-300-1138	300mm	HSS 114 x 5 x 3000mm	89mm OD
PSO-300-11310	300mm	HSS 114 x 5 x 3000mm	102mm OD
PSO-300-11311	300mm	HSS 114 x 5 x 3000mm	114mm OD

## Pipe Stand-Off Mount (PSO) 400mm Assemblies

These PSO Mounts are part of a complete package which includes (2) Stand-Offs, (1) Pipe and (8) U-Bolts to allow complete installation of the mounts.

They are capable of supporting pipes ranging from 73mm (2  $\frac{7}{8}$ "") to 114mm (4  $\frac{1}{2}$ "").

Mounts come with hardware & pipes as part of full assemblies.



- NOTES :
- 1- MATERIAL: MIN. 300 MPa PER CAN/CSA-G40.21-92.
  - 2- ALL MEMBERS ARE HOT DIP GALVANIZED AFTER FABRICATION PER CAN/CSA G164-92.
  - 3- BOLTS ARE A-325 OR Gr.5 AS SPECIFIED.
  - 4- U-BOLTS ARE C-1018, MIN. 66KSI TENSILE STRENGTH; Gr.5 IS AVAILABLE.
  - 5- H.D. GALVANIZED THREADED RODS ARE B7, MIN. 120 KSI.
  - 6- STAINLESS BOLT/THREADED ROD PER ASTM-A193,TENSILE STR. MIN75 KSI.

**gord** Telecom Towers  
 129 Delta Park Blvd., Brampton  
 Ontario L6T 5M8, Canada  
 Tel. 905-791-5800, Fax. 905-791-3325  
[www.gordtelecom.com](http://www.gordtelecom.com)

TITLE : PIPE STAND-OFF MOUNT  
 ASSEMBLIES

DRAWN BY	S.S.	SCALE:	REV DATE:	2016
CHK'D BY	S.S.	DWG. No.		REV
MANUF,APR	S.S.	PSO-Assembly2-GENERIC & COST		00
SALES,APR	J.S.			

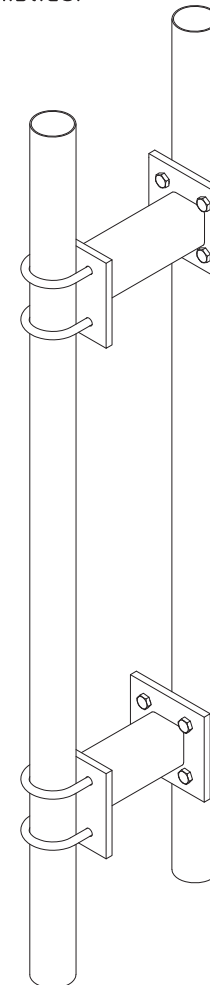
PART NUMBER	Stand-Off Length	Vertical Pipe Required	Existing Pipe
PSO-400-727	400mm	HSS 73 x 5 x 2400mm	73mm OD
PSO-400-728	400mm	HSS 73 x 5 x 2400mm	89mm OD
PSO-400-7210	400mm	HSS 73 x 5 x 2400mm	102mm OD
PSO-400-7211	400mm	HSS 73 x 5 x 2400mm	114mm OD
PSO-400-737	400mm	HSS 73 x 5 x 3000mm	73mm OD
PSO-400-738	400mm	HSS 73 x 5 x 3000mm	89mm OD
PSO-400-7310	400mm	HSS 73 x 5 x 3000mm	102mm OD
PSO-400-7311	400mm	HSS 73 x 5 x 3000mm	114mm OD
PSO-400-827	400mm	HSS 89 x 5 x 2400mm	73mm OD
PSO-400-828	400mm	HSS 89 x 5 x 2400mm	89mm OD
PSO-400-8210	400mm	HSS 89 x 5 x 2400mm	102mm OD
PSO-400-8211	400mm	HSS 89 x 5 x 2400mm	114mm OD
PSO-400-837	400mm	HSS 89 x 5 x 3000mm	73mm OD
PSO-400-838	400mm	HSS 89 x 5 x 3000mm	89mm OD
PSO-400-8310	400mm	HSS 89 x 5 x 3000mm	102mm OD
PSO-400-8311	400mm	HSS 89 x 5 x 3000mm	114mm OD
PSO-400-1027	400mm	HSS 102 x 5 x 2400mm	73mm OD
PSO-400-1028	400mm	HSS 102 x 5 x 2400mm	89mm OD
PSO-400-10210	400mm	HSS 102 x 5 x 2400mm	102mm OD
PSO-400-10211	400mm	HSS 102 x 5 x 2400mm	114mm OD
PSO-400-1037	400mm	HSS 102 x 5 x 3000mm	73mm OD
PSO-400-1038	400mm	HSS 102 x 5 x 3000mm	89mm OD
PSO-400-10310	400mm	HSS 102 x 5 x 3000mm	102mm OD
PSO-400-10311	400mm	HSS 102 x 5 x 3000mm	114mm OD
PSO-400-1127	400mm	HSS 114 x 5 x 2400mm	73mm OD
PSO-400-1128	400mm	HSS 114 x 5 x 2400mm	89mm OD
PSO-400-11210	400mm	HSS 114 x 5 x 2400mm	102mm OD
PSO-400-11211	400mm	HSS 114 x 5 x 2400mm	114mm OD
PSO-400-1137	400mm	HSS 114 x 5 x 3000mm	73mm OD
PSO-400-1138	400mm	HSS 114 x 5 x 3000mm	89mm OD
PSO-400-11310	400mm	HSS 114 x 5 x 3000mm	102mm OD
PSO-400-11311	400mm	HSS 114 x 5 x 3000mm	114mm OD

## Pipe Stand-Off Mount (PSO) 500mm Assemblies

These PSO Mounts are part of a complete package which includes (2) Stand-Offs, (1) Pipe and (8) U-Bolts to allow complete installation of the mounts.

They are capable of supporting pipes ranging from 73mm (2  $\frac{7}{8}$ "") to 114mm (4  $\frac{1}{2}$ "").

Mounts come with hardware & pipes as part of full assemblies.



- NOTES :
- 1- MATERIAL: MIN. 300 MPa PER CAN/CSA-G40.21-92.
  - 2- ALL MEMBERS ARE HOT DIP GALVANIZED AFTER FABRICATION PER CAN/CSA G164-92.
  - 3- BOLTS ARE A-325 OR Gr.5 AS SPECIFIED.
  - 4- U-BOLTS ARE C-1018, MIN. 66KSI TENSILE STRENGTH; Gr.5 IS AVAILABLE.
  - 5- H.D. GALVANIZED THREADED RODS ARE B7, MIN. 120 KSI.
  - 6- STAINLESS BOLT/THREADED ROD PER ASTM-A193,TENSILE STR. MIN75 KSI.

**gord** Telecom Towers  
 129 Delta Park Blvd., Brampton  
 Ontario L6T 5M8, Canada  
 Tel. 905-791-5800, Fax. 905-791-3325  
[www.gordtelecom.com](http://www.gordtelecom.com)

TITLE : PIPE STAND-OFF MOUNT ASSEMBLIES

DRAWN BY	S.S.	SCALE:	REV DATE: 2016	
CHK'D BY	S.S.	DWG. No.		REV
MANUF,APR	S.S.	PSO-Assembly3-GENERIC & COST		
SALES,APR	J.S.			00

PART NUMBER	Stand-Off Length	Vertical Pipe Required	Existing Pipe
PSO-500-727	500mm	HSS 73 x 5 x 2400mm	73mm OD
PSO-500-728	500mm	HSS 73 x 5 x 2400mm	89mm OD
PSO-500-7210	500mm	HSS 73 x 5 x 2400mm	102mm OD
PSO-500-7211	500mm	HSS 73 x 5 x 2400mm	114mm OD
PSO-500-737	500mm	HSS 73 x 5 x 3000mm	73mm OD
PSO-500-738	500mm	HSS 73 x 5 x 3000mm	89mm OD
PSO-500-7310	500mm	HSS 73 x 5 x 3000mm	102mm OD
PSO-500-7311	500mm	HSS 73 x 5 x 3000mm	114mm OD
PSO-500-827	500mm	HSS 89 x 5 x 2400mm	73mm OD
PSO-500-828	500mm	HSS 89 x 5 x 2400mm	89mm OD
PSO-500-8210	500mm	HSS 89 x 5 x 2400mm	102mm OD
PSO-500-8211	500mm	HSS 89 x 5 x 2400mm	114mm OD
PSO-500-837	500mm	HSS 89 x 5 x 3000mm	73mm OD
PSO-500-838	500mm	HSS 89 x 5 x 3000mm	89mm OD
PSO-500-8310	500mm	HSS 89 x 5 x 3000mm	102mm OD
PSO-500-8311	500mm	HSS 89 x 5 x 3000mm	114mm OD
PSO-500-1027	500mm	HSS 102 x 5 x 2400mm	73mm OD
PSO-500-1028	500mm	HSS 102 x 5 x 2400mm	89mm OD
PSO-500-10210	500mm	HSS 102 x 5 x 2400mm	102mm OD
PSO-500-10211	500mm	HSS 102 x 5 x 2400mm	114mm OD
PSO-500-1037	500mm	HSS 102 x 5 x 3000mm	73mm OD
PSO-500-1038	500mm	HSS 102 x 5 x 3000mm	89mm OD
PSO-500-10310	500mm	HSS 102 x 5 x 3000mm	102mm OD
PSO-500-10311	500mm	HSS 102 x 5 x 3000mm	114mm OD
PSO-500-1127	500mm	HSS 114 x 5 x 2400mm	73mm OD
PSO-500-1128	500mm	HSS 114 x 5 x 2400mm	89mm OD
PSO-500-11210	500mm	HSS 114 x 5 x 2400mm	102mm OD
PSO-500-11211	500mm	HSS 114 x 5 x 2400mm	114mm OD
PSO-500-1137	500mm	HSS 114 x 5 x 3000mm	73mm OD
PSO-500-1138	500mm	HSS 114 x 5 x 3000mm	89mm OD
PSO-500-11310	500mm	HSS 114 x 5 x 3000mm	102mm OD
PSO-500-11311	500mm	HSS 114 x 5 x 3000mm	114mm OD

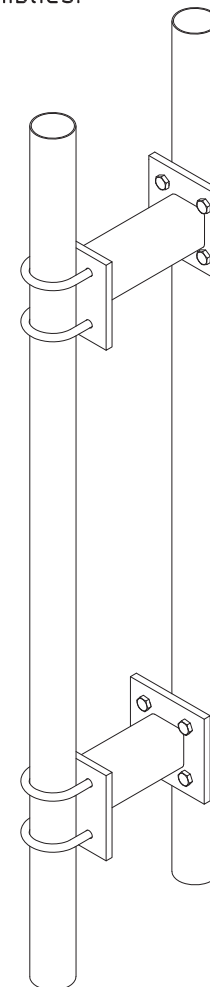


## Pipe Stand-Off Mount (PSO) 600mm Assemblies

These PSO Mounts are part of a complete package which includes (2) Stand-Offs, (1) Pipe and (8) U-Bolts to allow complete installation of the mounts.

They are capable of supporting pipes ranging from 73mm (2  $\frac{7}{8}$ "") to 114mm (4  $\frac{1}{2}$ "").

Mounts come with hardware & pipes as part of full assemblies.



- NOTES :
- 1- MATERIAL: MIN. 300 MPa PER CAN/CSA-G40.21-92.
  - 2- ALL MEMBERS ARE HOT DIP GALVANIZED AFTER FABRICATION PER CAN/CSA G164-92.
  - 3- BOLTS ARE A-325 OR Gr.5 AS SPECIFIED.
  - 4- U-BOLTS ARE C-1018, MIN. 66KSI TENSILE STRENGTH; Gr.5 IS AVAILABLE.
  - 5- H.D. GALVANIZED THREADED RODS ARE B7, MIN. 120 KSI.
  - 6- STAINLESS BOLT/THREADED ROD PER ASTM-A193,TENSILE STR. MIN75 KSI.

**gord** Telecom Towers  
 129 Delta Park Blvd., Brampton  
 Ontario L6T 5M8, Canada  
 Tel. 905-791-5800, Fax. 905-791-3325  
[www.gordtelecom.com](http://www.gordtelecom.com)

TITLE : PIPE STAND-OFF MOUNT ASSEMBLIES

DRAWN BY	S.S.	SCALE:	REV DATE: 2016	
CHK'D BY	S.S.	DWG. No.		REV
MANUF,APR	S.S.	PSO-Assembly4-GENERIC & COST		
SALES,APR	J.S.			00

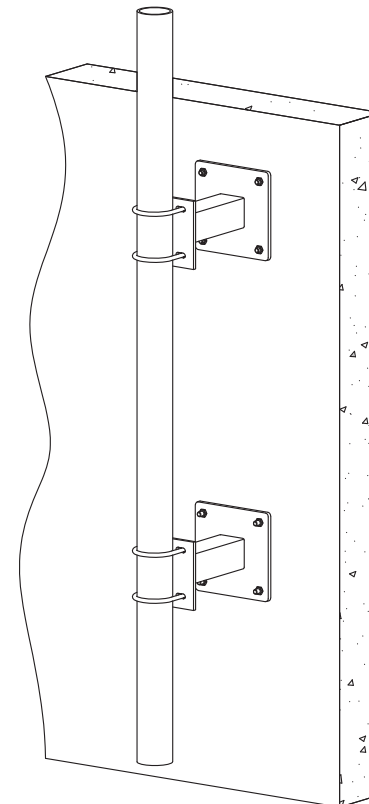
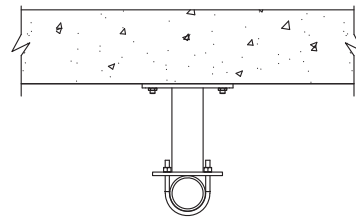
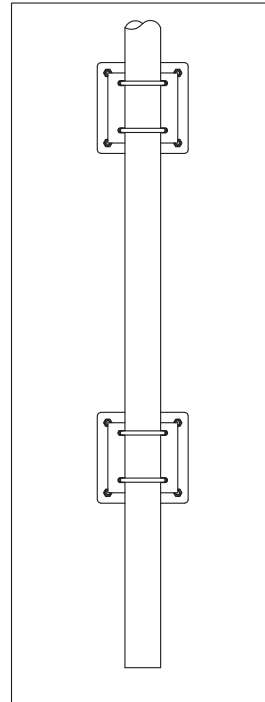
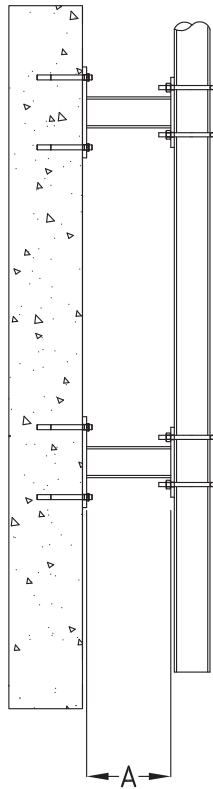
PART NUMBER	Stand-Off Length	Vertical Pipe Required	Existing Pipe
PSO-600-727	600mm	HSS 73 x 5 x 2400mm	73mm OD
PSO-600-728	600mm	HSS 73 x 5 x 2400mm	89mm OD
PSO-600-7210	600mm	HSS 73 x 5 x 2400mm	102mm OD
PSO-600-7211	600mm	HSS 73 x 5 x 2400mm	114mm OD
PSO-600-737	600mm	HSS 73 x 5 x 3000mm	73mm OD
PSO-600-738	600mm	HSS 73 x 5 x 3000mm	89mm OD
PSO-600-7310	600mm	HSS 73 x 5 x 3000mm	102mm OD
PSO-600-7311	600mm	HSS 73 x 5 x 3000mm	114mm OD
PSO-600-827	600mm	HSS 89 x 5 x 2400mm	73mm OD
PSO-600-828	600mm	HSS 89 x 5 x 2400mm	89mm OD
PSO-600-8210	600mm	HSS 89 x 5 x 2400mm	102mm OD
PSO-600-8211	600mm	HSS 89 x 5 x 2400mm	114mm OD
PSO-600-837	600mm	HSS 89 x 5 x 3000mm	73mm OD
PSO-600-838	600mm	HSS 89 x 5 x 3000mm	89mm OD
PSO-600-8310	600mm	HSS 89 x 5 x 3000mm	102mm OD
PSO-600-8311	600mm	HSS 89 x 5 x 3000mm	114mm OD
PSO-600-1027	600mm	HSS 102 x 5 x 2400mm	73mm OD
PSO-600-1028	600mm	HSS 102 x 5 x 2400mm	89mm OD
PSO-600-10210	600mm	HSS 102 x 5 x 2400mm	102mm OD
PSO-600-10211	600mm	HSS 102 x 5 x 2400mm	114mm OD
PSO-600-1037	600mm	HSS 102 x 5 x 3000mm	73mm OD
PSO-600-1038	600mm	HSS 102 x 5 x 3000mm	89mm OD
PSO-600-10310	600mm	HSS 102 x 5 x 3000mm	102mm OD
PSO-600-10311	600mm	HSS 102 x 5 x 3000mm	114mm OD
PSO-600-1127	600mm	HSS 114 x 5 x 2400mm	73mm OD
PSO-600-1128	600mm	HSS 114 x 5 x 2400mm	89mm OD
PSO-600-11210	600mm	HSS 114 x 5 x 2400mm	102mm OD
PSO-600-11211	600mm	HSS 114 x 5 x 2400mm	114mm OD
PSO-600-1137	600mm	HSS 114 x 5 x 3000mm	73mm OD
PSO-600-1138	600mm	HSS 114 x 5 x 3000mm	89mm OD
PSO-600-11310	600mm	HSS 114 x 5 x 3000mm	102mm OD
PSO-600-11311	600mm	HSS 114 x 5 x 3000mm	114mm OD

## Wall Stand-Off Mount (WSO)

Wall stand-offs are an excellent way to attach antennas, MW's and other radio equipment to roof tops. They come in several different sizes with variable off-sets from the wall surface. They are secured to the wall using threaded rods. Threaded rods can either be chemically bonded to the wall or can be clamped using back plates.


Stand-offs are priced individually. U-Bolts are included.

Please order Pipe and Threaded Rods separately.



- NOTES :
- 1- MATERIAL: MIN. 300 MPa PER CAN/CSA-G4021-92.
  - 2- ALL MEMBERS ARE HOT DIP GALVANIZED AFTER FABRICATION PER CAN/CSA G164-92.
  - 3- BOLTS ARE A-325 OR Gr.5 AS SPECIFIED.
  - 4- U-BOLTS ARE C-1018, MIN. 66KSI TENSILE STRENGTH; Gr.5 IS AVAILABLE.
  - 5- H.D. GALVANIZED THREADED RODS ARE B7, MIN. 120 KSI.
  - 6- STAINLESS BOLT/THREADED ROD PER ASTM-A193,TENSILE STR. MIN75 KSI.

PART NUMBER	Stand-Off Length A (mm)
WSO-200-102	200
WSO-300-102	300
WSO-400-102	400
WSO-500-102	500
WSO-600-102	600

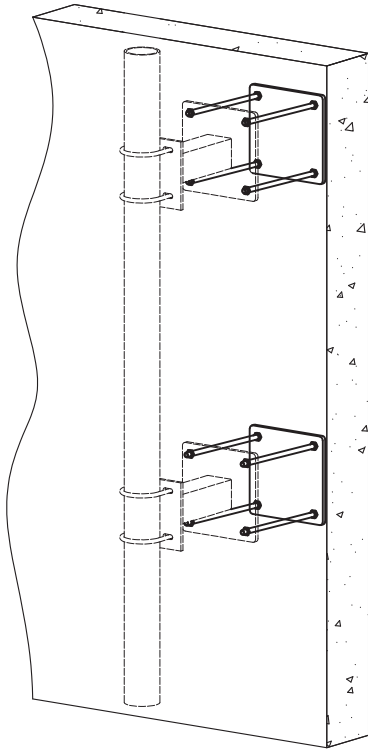
 <b>GORD Telecom Towers</b> 129 Delta Park Blvd., Brampton Ontario L6T 5M8, Canada Tel. 905-791-5800, Fax. 905-791-3325 <a href="http://www.gordtelecom.com">www.gordtelecom.com</a>		
TITLE :		
WALL STAND-OFF MOUNT		
DRAWN BY S.S.	SCALE:	REV DATE: 2014
CHK'D BY S.S.	DWG. No.	REV
MANUF,APR S.S.	WSO-GENERIC & COST	
SALES,APR J.S.	00	

## Wall Stand-Off Mount (WSO) Mounting Hardware

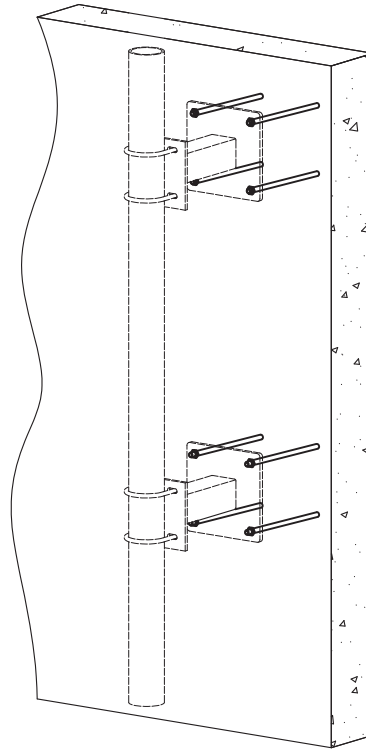
WSO Mount's are typically attached to a supporting wall using threaded rods that are chemically anchored. Other options are available for different applications. The WSO mounts can also be attached to a support wall using back plates.

Please order WSO models separately.

Prices per connection. Plate designed for 5/8" Threaded Rod.



WSO-BACK  
WSO-B12  
WSO-B16  
WSO-B20



WSO-TR08  
WSO-TR12  
WSO-TR18  
WSO-TR24

PART NUMBER	DESCRIPTION
WSO-BACK	1x BACK PLATE WITH NO HARDWARE
WSO-B12	1x BACK PLATE WITH 4x 5/8" x 12" THREADED RODS
WSO-B16	1x BACK PLATE WITH 4x 5/8" x 16" THREADED RODS
WSO-B20	1x BACK PLATE WITH 4x 5/8" x 20" THREADED RODS
WSO-TR08	4x 5/8" x 9" THREADED RODS
WSO-TR12	4x 5/8" x 12" THREADED RODS
WSO-TR18	4x 5/8" x 18" THREADED RODS
WSO-TR24	4x 5/8" x 24" THREADED RODS

### NOTE:

All items are sold per individual connection.

Please order 2 sets to receive a pair as per the drawing.

- NOTES :
- 1- MATERIAL: MIN. 300 MPa PER CAN/CSA-G40.21-92.
  - 2- ALL MEMBERS ARE HOT DIP GALVANIZED AFTER FABRICATION PER CAN/CSA G164-92.
  - 3- BOLTS ARE A-325 OR Gr.5 AS SPECIFIED.
  - 4- U-BOLTS ARE C-1018, MIN. 66KSI TENSILE STRENGTH; Gr.5 IS AVAILABLE.
  - 5- H.D. GALVANIZED THREADED RODS ARE B7, MIN. 120 KSI.
  - 6- STAINLESS BOLT/THREADED ROD PER ASTM-A193,TENSILE STR. MIN75 KSI.

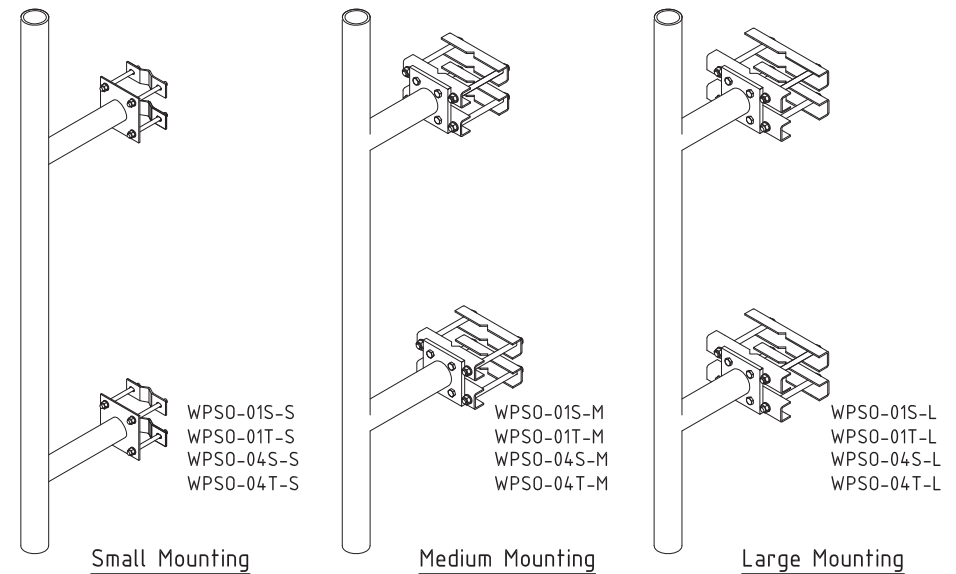
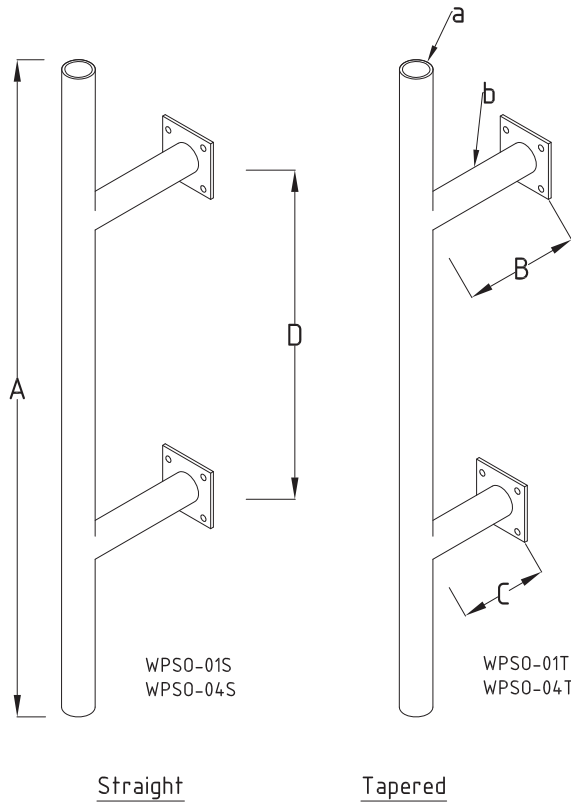
**gord** Telecom Towers  
129 Delta Park Blvd., Brampton  
Ontario L6T 5M8, Canada  
Tel. 905-791-5800, Fax. 905-791-3325  
www.gordtelecom.com

TITLE :			
WSO MOUNTING HARDWARE			
DRAWN BY	S.S.	SCALE:	REV DATE: 2020
CHK'D BY	S.S.	DWG. No.	REV
MANUF,APR	S.S.	WSO Mounting-GENERIC & COST	
SALES,APR	J.S.	00	

## Welded Pipe Stand-Off Mount (WPSO) - 1' Stand-Offs

Welded Pipe Stand-Offs can be used to attach antennas, MW's and other radio equipment to existing pipes or tower legs. Tapered or Straight models are available for Self-Support and Guyed towers, respectively.

Mounts come in Straight or Tapered, with Small, Medium or Large Mounting.



PARTNUMBER	Length	Stand-Off	Type	A (mm)	B (mm)	C (mm)	D (mm)	a (mm)	b (mm)	Plate (mm)	MAX PIPE or ANGLE SIZE
WPSO-01S	1300mm	300mm (1')	Straight	1300	275	275	760	HSS89x4.8	HSS89x6.4	PL200x200x13	N/A
WPSO-01S-S	1300mm	300mm (1')	Straight	1300	275	275	760	HSS89x4.8	HSS89x6.4	PL200x200x13	102mm (4") OD PIPE
WPSO-01S-M	1300mm	300mm (1')	Straight	1300	275	275	760	HSS89x4.8	HSS89x6.4	PL200x200x13	143mm (5 5/8") PIPE or V152 (V6")
WPSO-01S-L	1300mm	300mm (1')	Straight	1300	275	275	760	HSS89x4.8	HSS89x6.4	PL200x200x13	279mm (11") PIPE or V203 (V8")
WPSO-01T	1300mm	300mm (1')	Tapered	1300	349	275	760	HSS89x4.8	HSS89x6.4	PL200x200x13	N/A
WPSO-01T-S	1300mm	300mm (1')	Tapered	1300	349	275	760	HSS89x4.8	HSS89x6.4	PL200x200x13	102mm (4") OD PIPE
WPSO-01T-M	1300mm	300mm (1')	Tapered	1300	349	275	760	HSS89x4.8	HSS89x6.4	PL200x200x13	143mm (5 5/8") PIPE or V152 (V6")
WPSO-01T-L	1300mm	300mm (1')	Tapered	1300	349	275	760	HSS89x4.8	HSS89x6.4	PL200x200x13	279mm (11") PIPE or V203 (V8")
WPSO-04S	1800mm	300mm (1')	Straight	1800	275	275	1220	HSS114x4.8	HSS89x6.4	PL200x200x13	N/A
WPSO-04S-S	1800mm	300mm (1')	Straight	1800	275	275	1220	HSS114x4.8	HSS89x6.4	PL200x200x13	102mm (4") OD PIPE
WPSO-04S-M	1800mm	300mm (1')	Straight	1800	275	275	1220	HSS114x4.8	HSS89x6.4	PL200x200x13	143mm (5 5/8") PIPE or V152 (V6")
WPSO-04S-L	1800mm	300mm (1')	Straight	1800	275	275	1220	HSS114x4.8	HSS89x6.4	PL200x200x13	279mm (11") PIPE or V203 (V8")
WPSO-04T	1800mm	300mm (1')	Tapered	1800	393	275	1220	HSS114x4.8	HSS89x6.4	PL200x200x13	N/A
WPSO-04T-S	1800mm	300mm (1')	Tapered	1800	393	275	1220	HSS114x4.8	HSS89x6.4	PL200x200x13	102mm (4") OD PIPE
WPSO-04T-M	1800mm	300mm (1')	Tapered	1800	393	275	1220	HSS114x4.8	HSS89x6.4	PL200x200x13	143mm (5 5/8") PIPE or V152 (V6")
WPSO-04T-L	1800mm	300mm (1')	Tapered	1800	393	275	1220	HSS114x4.8	HSS89x6.4	PL200x200x13	279mm (11") PIPE or V203 (V8")

- NOTES:
- 1- MATERIAL: MIN. 300 MPa PER CAN/CSA-G40-21-92.
  - 2- ALL MEMBERS ARE HOT DIP GALVANIZED AFTER FABRICATION PER CAN/CSA G164-92.
  - 3- BOLTS ARE A-325 OR Gr.5 AS SPECIFIED.
  - 4- U-BOLTS ARE C-1018, MIN. 66KSI TENSILE STRENGTH; Gr.5 IS AVAILABLE.
  - 5- H.D. GALVANIZED THREADED RODS ARE B7, MIN. 120 KSI.
  - 6- STAINLESS BOLT/THREADED ROD PER ASTM-A193,TENSILE STR. MIN75 KSI.

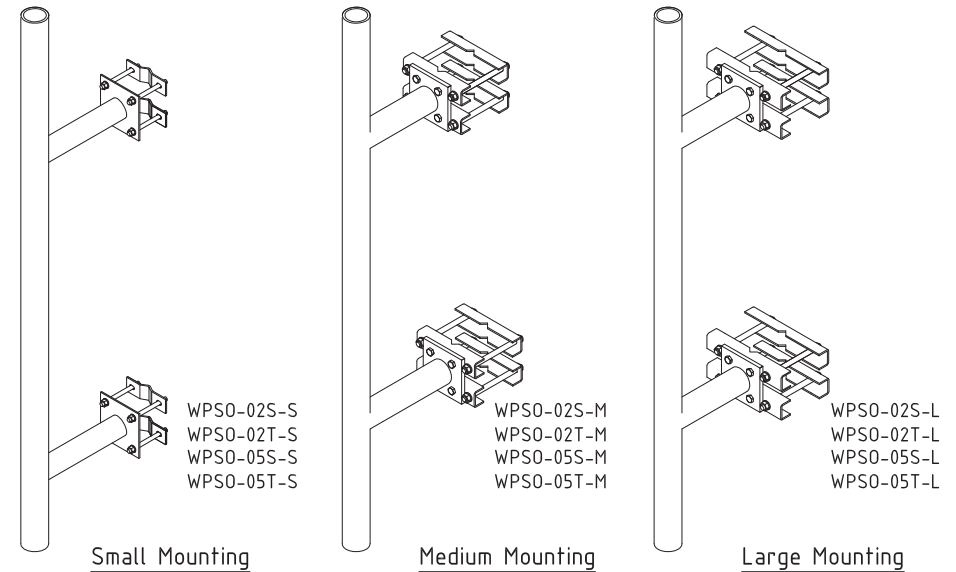
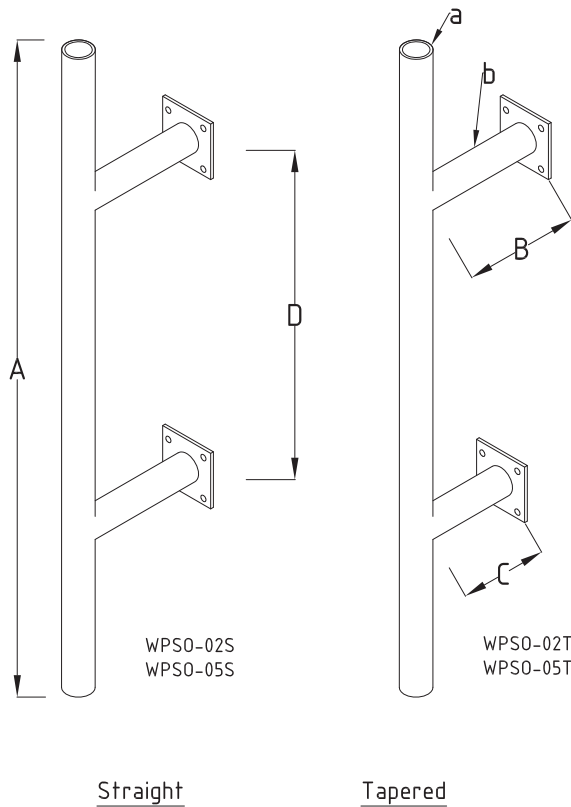
**gord** Telecom Towers  
 129 Delta Park Blvd., Brampton  
 Ontario L6T 5M8, Canada  
 Tel. 905-791-5800, Fax. 905-791-3325  
[www.gordtelecom.com](http://www.gordtelecom.com)

TITLE :			
WELDED PIPE STAND-OFF			
DRAWN BY S.S.	SCALE:	REV DATE: 2016	
CHK'D BY S.S.	DWG. No.		REV.
MANUF. APR S.S.	WPSO-1-GENERIC & COST		00
SALES. APR J.S.			

## Welded Pipe Stand-Off Mount (WPSO) - 2' Stand-Offs

Welded Pipe Stand-Offs can be used to attach antennas, MW's and other radio equipment to existing pipes or tower legs. Tapered or Straight models are available for Self-Support and Guyed towers, respectively.

Mounts come in Straight or Tapered, with Small, Medium or Large Mounting.



PARTNUMBER	Length	Stand-Off	Type	A (mm)	B (mm)	C (mm)	D (mm)	a (mm)	b (mm)	c (mm)	MAX PIPE or ANGLE SIZE
WPSO-02S	1300mm	600mm (2')	Straight	1300	575	575	760	HSS89x4.8	HSS89x6.4	PL200x200x13	N/A
WPSO-02S-S	1300mm	600mm (2')	Straight	1300	575	575	760	HSS89x4.8	HSS89x6.4	PL200x200x13	102mm (4") OD PIPE
WPSO-02S-M	1300mm	600mm (2')	Straight	1300	575	575	760	HSS89x4.8	HSS89x6.4	PL200x200x13	143mm (5 5/8") PIPE or V152 (V6")
WPSO-02S-L	1300mm	600mm (2')	Straight	1300	575	575	760	HSS89x4.8	HSS89x6.4	PL200x200x13	279mm (11") PIPE or V203 (V8")
WPSO-02T	1300mm	600mm (2')	Tapered	1300	649	575	760	HSS89x4.8	HSS89x6.4	PL200x200x13	N/A
WPSO-02T-S	1300mm	600mm (2')	Tapered	1300	649	575	760	HSS89x4.8	HSS89x6.4	PL200x200x13	102mm (4") OD PIPE
WPSO-02T-M	1300mm	600mm (2')	Tapered	1300	649	575	760	HSS89x4.8	HSS89x6.4	PL200x200x13	143mm (5 5/8") PIPE or V152 (V6")
WPSO-02T-L	1300mm	600mm (2')	Tapered	1300	649	575	760	HSS89x4.8	HSS89x6.4	PL200x200x13	279mm (11") PIPE or V203 (V8")
WPSO-05S	1800mm	600mm (2')	Straight	1800	575	575	1220	HSS114x4.8	HSS89x6.4	PL200x200x13	N/A
WPSO-05S-S	1800mm	600mm (2')	Straight	1800	575	575	1220	HSS114x4.8	HSS89x6.4	PL200x200x13	102mm (4") OD PIPE
WPSO-05S-M	1800mm	600mm (2')	Straight	1800	575	575	1220	HSS114x4.8	HSS89x6.4	PL200x200x13	143mm (5 5/8") PIPE or V152 (V6")
WPSO-05S-L	1800mm	600mm (2')	Straight	1800	575	575	1220	HSS114x4.8	HSS89x6.4	PL200x200x13	279mm (11") PIPE or V203 (V8")
WPSO-05T	1800mm	600mm (2')	Tapered	1800	693	575	1220	HSS114x4.8	HSS89x6.4	PL200x200x13	N/A
WPSO-05T-S	1800mm	600mm (2')	Tapered	1800	693	575	1220	HSS114x4.8	HSS89x6.4	PL200x200x13	102mm (4") OD PIPE
WPSO-05T-M	1800mm	600mm (2')	Tapered	1800	693	575	1220	HSS114x4.8	HSS89x6.4	PL200x200x13	143mm (5 5/8") PIPE or V152 (V6")
WPSO-05T-L	1800mm	600mm (2')	Tapered	1800	693	575	1220	HSS114x4.8	HSS89x6.4	PL200x200x13	279mm (11") PIPE or V203 (V8")

- NOTES:
- 1- MATERIAL: MIN. 300 MPa PER CAN/CSA-G40-21-92.
  - 2- ALL MEMBERS ARE HOT DIP GALVANIZED AFTER FABRICATION PER CAN/CSA G164-92.
  - 3- BOLTS ARE A-325 OR Gr.5 AS SPECIFIED.
  - 4- U-BOLTS ARE C-1018, MIN. 66KSI TENSILE STRENGTH; Gr.5 IS AVAILABLE.
  - 5- H.D. GALVANIZED THREADED RODS ARE B7, MIN. 120 KSI.
  - 6- STAINLESS BOLT/THREADED ROD PER ASTM-A193, TENSILE STR. MIN75 KSI.

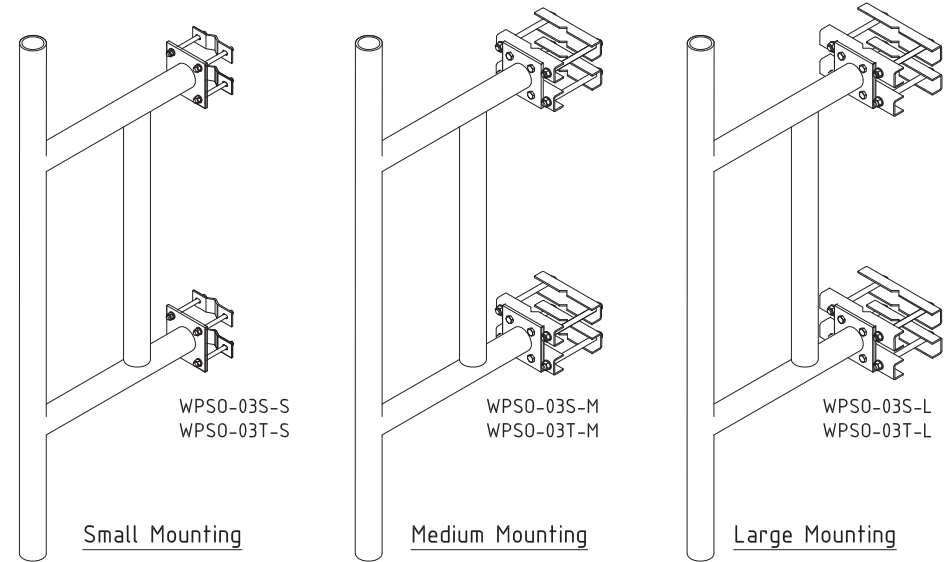
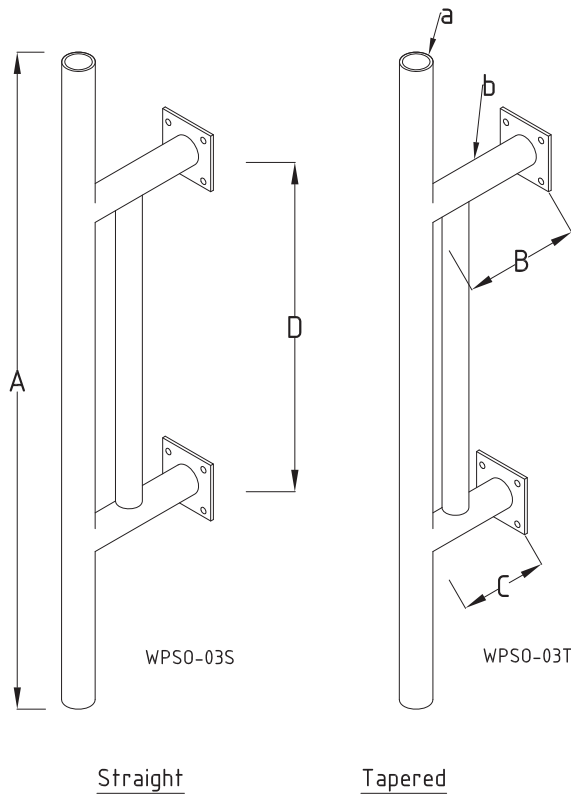
**gord** Telecom Towers  
 129 Delta Park Blvd., Brampton  
 Ontario L6T 5M8, Canada  
 Tel. 905-791-5800, Fax. 905-791-3325  
[www.gordtelecom.com](http://www.gordtelecom.com)

TITLE :			
WELDED PIPE STAND-OFF			
DRAWN BY : S.S.	SCALE:	REV DATE: 2016	
CHK'D BY : S.S.	DWG. No.		REV.
MANUF. APR : S.S.	WPSO-2-GENERIC & COST		00
SALES. APR : J.S.			

## Welded Pipe Stand-Off Mount (WPSO) - 3' Stand-Offs

Welded Pipe Stand-Offs can be used to attach antennas, MW's and other radio equipment to existing pipes or tower legs. Tapered or Straight models are available for Self-Support and Guyed towers, respectively.

Mounts come in Straight or Tapered, with Small, Medium or Large Mounting.



- NOTES:
- 1- MATERIAL: MIN. 300 MPa PER CAN/CSA-G40-21-92.
  - 2- ALL MEMBERS ARE HOT DIP GALVANIZED AFTER FABRICATION PER CAN/CSA G164-92.
  - 3- BOLTS ARE A-325 OR Gr.5 AS SPECIFIED.
  - 4- U-BOLTS ARE C-1018, MIN. 66KSI TENSILE STRENGTH; Gr.5 IS AVAILABLE.
  - 5- U.D. GALVANIZED THREADED RODS ARE B7, MIN. 120 KSI.
  - 6- STAINLESS BOLT/THREADED ROD PER ASTM-A193,TENSILE STR. MIN75 KSI.

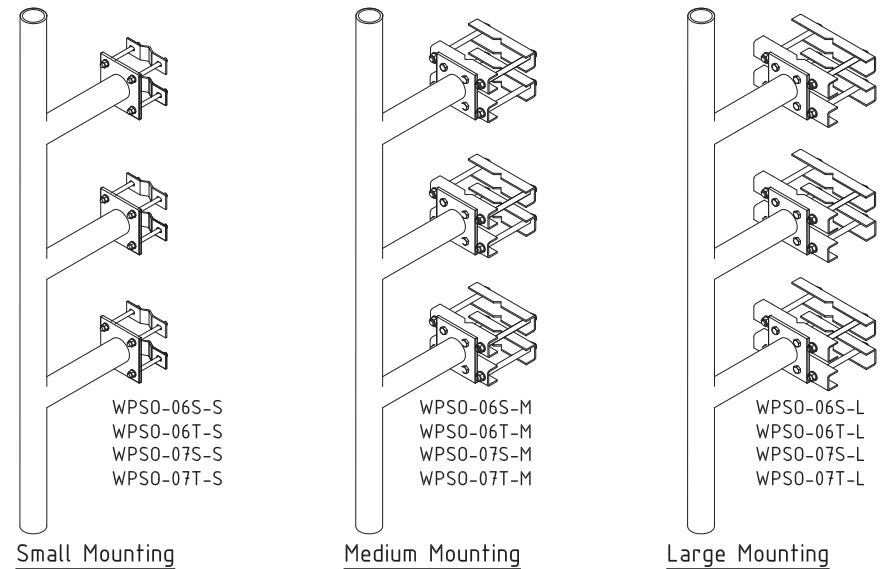
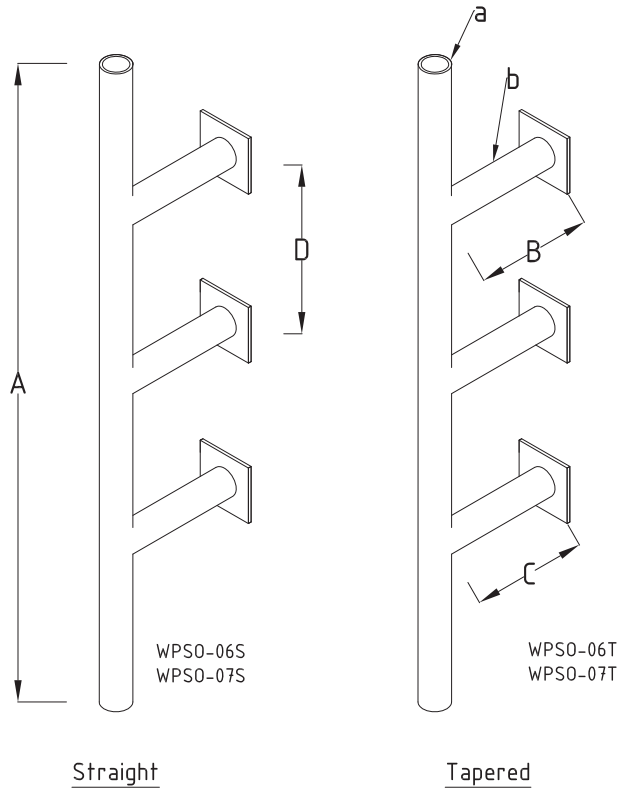
		<b>GORD Telecom Towers</b> 129 Delta Park Blvd., Brampton Ontario L6T 5M8, Canada Tel. 905-791-5800, Fax. 905-791-3325 <a href="http://www.gordtelecom.com">www.gordtelecom.com</a>	
		TITLE : WELDED PIPE STAND-OFF	
DRAWN BY S.S. CHK'D BY S.S. MANUF,APR S.S. SALES,APR J.S.	SCALE: DWG. No. WPSO-3-GENERIC & COST	REV DATE: 2016	REV. 00

PARTNUMBER	Length	Stand-Off	Type	A (mm)	B (mm)	C (mm)	D (mm)	a (mm)	b (mm)	c (mm)	MAX PIPE or ANGLE SIZE
WPSO-03S	1300mm	900mm (3')	Straight	1300	875	875	760	HSS89x4.8	HSS89x6.4	PL200x200x13	N/A
WPSO-03S-S	1300mm	900mm (3')	Straight	1300	875	875	760	HSS89x4.8	HSS89x6.4	PL200x200x13	102mm (4") OD PIPE
WPSO-03S-M	1300mm	900mm (3')	Straight	1300	875	875	760	HSS89x4.8	HSS89x6.4	PL200x200x13	143mm (5 5/8") PIPE or V152 (V6")
WPSO-03S-L	1300mm	900mm (3')	Straight	1300	875	875	760	HSS89x4.8	HSS89x6.4	PL200x200x13	279mm (11") PIPE or V203 (V8")
WPSO-03T	1300mm	900mm (3')	Tapered	1300	949	875	760	HSS89x4.8	HSS89x6.4	PL200x200x13	N/A
WPSO-03T-S	1300mm	900mm (3')	Tapered	1300	949	875	760	HSS89x4.8	HSS89x6.4	PL200x200x13	102mm (4") OD PIPE
WPSO-03T-M	1300mm	900mm (3')	Tapered	1300	949	875	760	HSS89x4.8	HSS89x6.4	PL200x200x13	143mm (5 5/8") PIPE or V152 (V6")
WPSO-03T-L	1300mm	900mm (3')	Tapered	1300	949	875	760	HSS89x4.8	HSS89x6.4	PL200x200x13	279mm (11") PIPE or V203 (V8")

## Welded Pipe Stand-Off Mount (WPSO) - Heavy Stand-Offs

Welded Pipe Stand-Offs can be used to attach antennas, MW's and other radio equipment to existing pipes or tower legs. Tapered or Straight models are available for Self-Support and Guyed towers, respectively.

Mounts come in Straight or Tapered, with Small, Medium or Large Mounting.



PARTNUMBER	Length	Stand-Off	Type	A (mm)	B (mm)	C (mm)	D (mm)	a (mm)	b (mm)	c (mm)	MAX PIPE or ANGLE SIZE
WPSO-06S	2400mm	300mm (1')	Straight	2400	275, 275, 275		900, 900	HSS114x4.8	HSS89x6.4	PL200x200x13	N/A
WPSO-06S-S	2400mm	300mm (1')	Straight	2400	275, 275, 275		900, 900	HSS114x4.8	HSS89x6.4	PL200x200x13	102mm (4") OD PIPE
WPSO-06S-M	2400mm	300mm (1')	Straight	2400	275, 275, 275		900, 900	HSS114x4.8	HSS89x6.4	PL200x200x13	143mm (5 5/8") PIPE or V152 (V6")
WPSO-06S-L	2400mm	300mm (1')	Straight	2400	275, 275, 275		900, 900	HSS114x4.8	HSS89x6.4	PL200x200x13	279mm (11") PIPE or V203 (V8")
WPSO-06T	2400mm	300mm (1')	Tapered	2400	450, 362, 275		900, 900	HSS114x4.8	HSS89x6.4	PL200x200x13	N/A
WPSO-06T-S	2400mm	300mm (1')	Tapered	2400	450, 362, 275		900, 900	HSS114x4.8	HSS89x6.4	PL200x200x13	102mm (4") OD PIPE
WPSO-06T-M	2400mm	300mm (1')	Tapered	2400	450, 362, 275		900, 900	HSS114x4.8	HSS89x6.4	PL200x200x13	143mm (5 5/8") PIPE or V152 (V6")
WPSO-06T-L	2400mm	300mm (1')	Tapered	2400	450, 362, 275		900, 900	HSS114x4.8	HSS89x6.4	PL200x200x13	279mm (11") PIPE or V203 (V8")
WPSO-07S	2400mm	600mm (2')	Straight	2400	575, 575, 575		900, 900	HSS114x4.8	HSS89x6.4	PL200x200x13	N/A
WPSO-07S-S	2400mm	600mm (2')	Straight	2400	575, 575, 575		900, 900	HSS114x4.8	HSS89x6.4	PL200x200x13	102mm (4") OD PIPE
WPSO-07S-M	2400mm	600mm (2')	Straight	2400	575, 575, 575		900, 900	HSS114x4.8	HSS89x6.4	PL200x200x13	143mm (5 5/8") PIPE or V152 (V6")
WPSO-07S-L	2400mm	600mm (2')	Straight	2400	575, 575, 575		900, 900	HSS114x4.8	HSS89x6.4	PL200x200x13	279mm (11") PIPE or V203 (V8")
WPSO-07T	2400mm	600mm (2')	Tapered	2400	750, 662, 575		900, 900	HSS114x4.8	HSS89x6.4	PL200x200x13	N/A
WPSO-07T-S	2400mm	600mm (2')	Tapered	2400	750, 662, 575		900, 900	HSS114x4.8	HSS89x6.4	PL200x200x13	102mm (4") OD PIPE
WPSO-07T-M	2400mm	600mm (2')	Tapered	2400	750, 662, 575		900, 900	HSS114x4.8	HSS89x6.4	PL200x200x13	143mm (5 5/8") PIPE or V152 (V6")
WPSO-07T-L	2400mm	600mm (2')	Tapered	2400	750, 662, 575		900, 900	HSS114x4.8	HSS89x6.4	PL200x200x13	279mm (11") PIPE or V203 (V8")

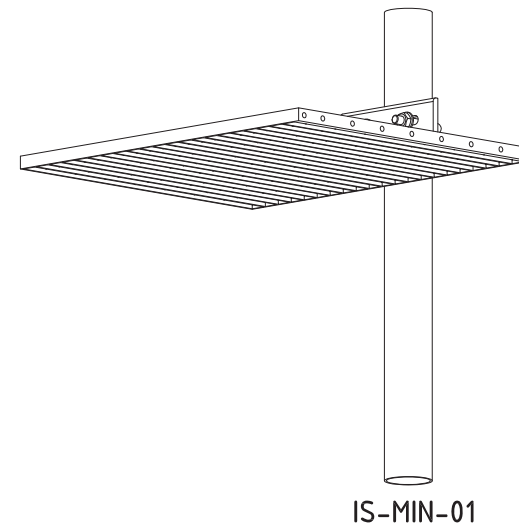
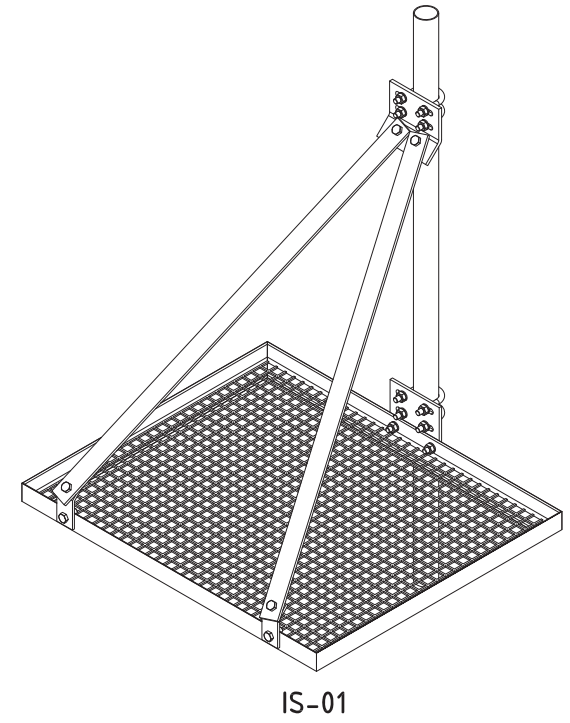
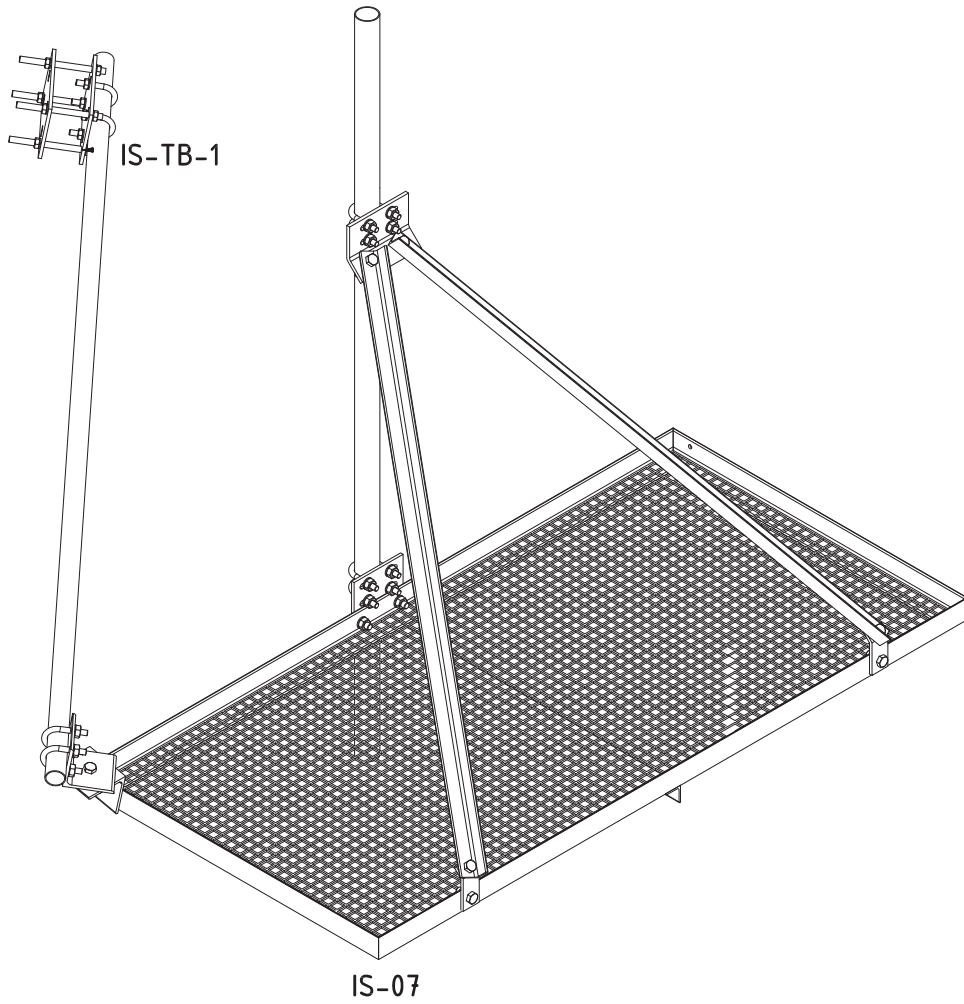
- NOTES:
- 1- MATERIAL: MIN. 300 MPa PER CAN/CSA-G40-21-92.
  - 2- ALL MEMBERS ARE HOT DIP GALVANIZED AFTER FABRICATION PER CAN/CSA G164-92.
  - 3- BOLTS ARE A-325 OR Gr.5 AS SPECIFIED.
  - 4- U-BOLTS ARE C-1018, MIN. 66KSI TENSILE STRENGTH; Gr.5 IS AVAILABLE.
  - 5- H.D. GALVANIZED THREADED RODS ARE B7, MIN. 120 KSI.
  - 6- STAINLESS BOLT/THREADED ROD PER ASTM-A193,TENSILE STR. MIN75 KSI.

**gord** Telecom Towers  
 129 Delta Park Blvd., Brampton  
 Ontario L6T 5M8, Canada  
 Tel. 905-791-5800, Fax. 905-791-3325  
[www.gordtelecom.com](http://www.gordtelecom.com)

TITLE :			
WELDED PIPE STAND-OFF			
DRAWN BY S.S.	SCALE:	REV DATE: 2016	
CHK'D BY S.S.	DWG. No.		REV.
MANUF. APR S.S.	WPSO-H-GENERIC & COST		00
SALES. APR J.S.			



# Ice-Shields

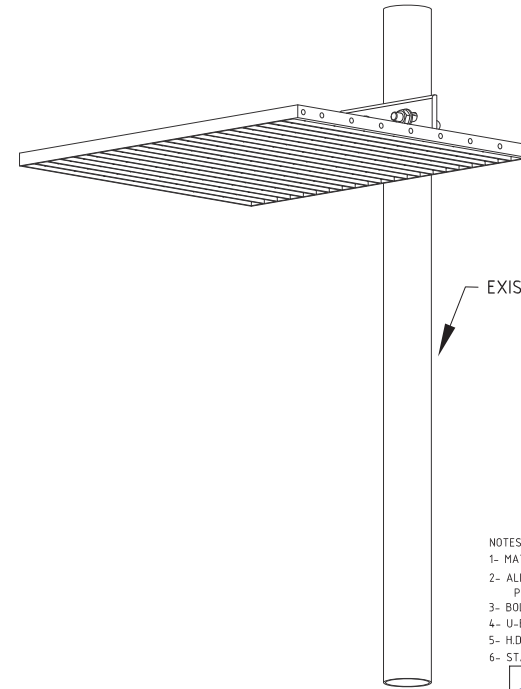
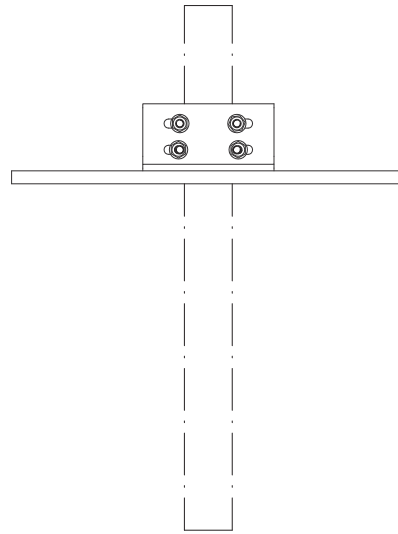
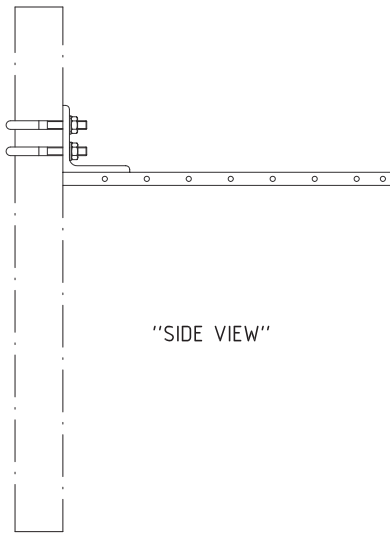
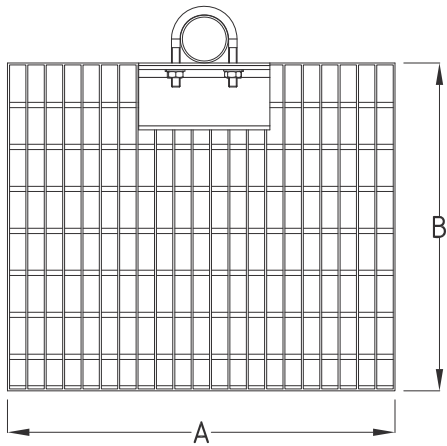




### Mini Ice-Shield (IS-MIN)


These Mini Ice-Shields are perfect for smaller applications such as protecting RF Antennas, small Panel Antennas and TX lines. The ice-shields are light weight and are attached to the pipe mast using two U-bolts. Square U-Bolts are available to attach to tower legs. Installation is extremely quick and simple. Oblong holes allow the ice-shield to be attached to any pipe from 73mm (2 7/8") to 114mm (4 1/2"). Mounting angle welded to Ice-Shield.

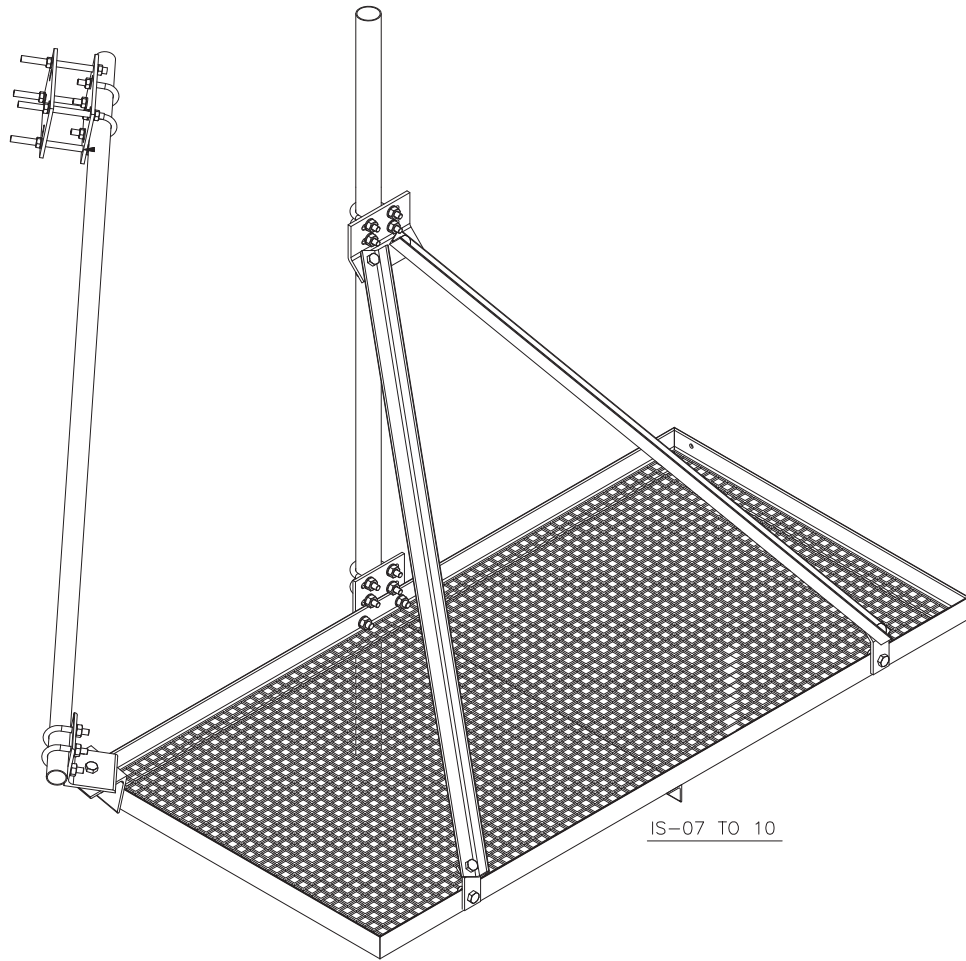
Please order Pipe and 13mm (1/2") U-Bolts separately.



- NOTES :
- 1- MATERIAL: MIN. 300 MPa PER CAN/CSA-G40.21-92.
  - 2- ALL MEMBERS ARE HOT DIP GALVANIZED AFTER FABRICATION PER CAN/CSA G164-92.
  - 3- BOLTS ARE A-325 OR Gr5 AS SPECIFIED.
  - 4- U-BOLTS ARE C-1018, MIN. 66KSI TENSILE STRENGTH; Gr5 IS AVAILABLE.
  - 5- H.D. GALVANIZED THREADED RODS ARE B7, MIN. 120 KSI.
  - 6- STAINLESS BOLT/THREADED ROD PER ASTM-A193,TENSILE STR. MIN75 KSI.

UNIVERSAL CLAMP	A (mm)	B (mm)
IS-MIN-01	450	400
IS-MIN-02	600	400
IS-MIN-03	600	500
IS-MIN-04	900	500
IS-MIN-05	900	600
IS-MIN-06	900	700

 <b>GORD Telecom Towers</b> 129 Delta Park Blvd., Brampton Ontario L6T 5M8, Canada Tel. 905-791-5800, Fax. 905-791-3325 <a href="http://www.gordtelecom.com">www.gordtelecom.com</a>		
TITLE :		
MINI ICE-SHIELDS		
DRAWN BY S.S.	SCALE:	REV DATE: 2014
CHK'D BY S.S.	DWG. No.	REV.
MANUF,APR S.S.	IS-MIN-PROPERTIES	
SALES,APR J.S.	00	



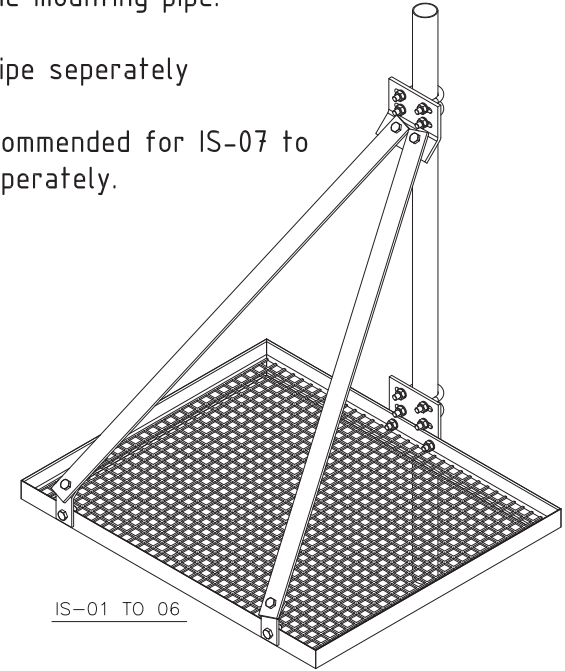
IS-07 TO 10

### Ice-Shield (IS)

These ice-shield are perfect to protect large MW's, antennas and other tower equipment from snow and ice. The ice-shield come in several different sizes, tie-back kits are available for extra stabilization. All ice-shields attach to any pipe from 73mm (2 7/8") to 114mm (4 1/2"). The ice-shields can also be attached to the WPSO and WSO. Four U-bolts are used to connect the ice-shield to the mounting pipe.

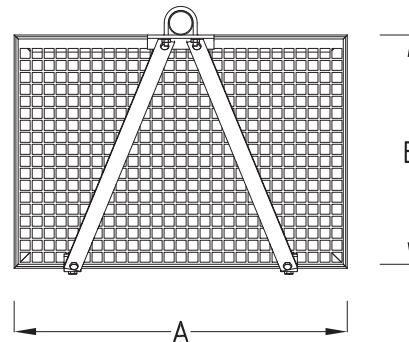
Please order Pipe separately

Tie-Back is recommended for IS-07 to IS-10. Order Separately.



IS-01 TO 06

MODEL	A(mm)	B(mm)
IS-01	800	700
IS-02	1000	700
IS-03	1000	800
IS-04	1200	800
IS-05	1200	1000
IS-06	1500	1000
IS-07	1800	1200
IS-08	2400	1200
IS-09	2400	1500
IS-10	3000	1500



- NOTES :
- 1- MATERIAL: MIN. 300 MPa PER CAN/CSA-G40.21-92.
  - 2- ALL MEMBERS ARE HOT DIP GALVANIZED AFTER FABRICATION PER CAN/CSA G164-92.
  - 3- BOLTS ARE A-325 OR Gr-5 AS SPECIFIED.
  - 4- U-BOLTS ARE C-1018, MIN. 66KSI TENSILE STRENGTH, Gr-5 IS AVAILABLE.
  - 5- H.D. GALVANIZED THREADED RODS ARE B7, MIN. 120 KSI,
  - 6- STAINLESS BOLT/THREADED ROD PER ASTM-A193,TENSILE STR. MIN75 KSI,

**gord Telecom** GORD Telecom Towers  
 129 Delta Park Blvd., Brampton  
 Ontario L6T 5M8, Canada  
 Tel: 905-791-5800, Fax: 905-791-3325  
 www.gordtelecom.com

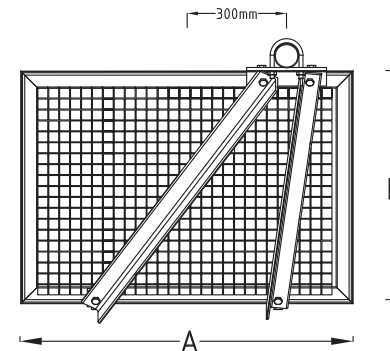
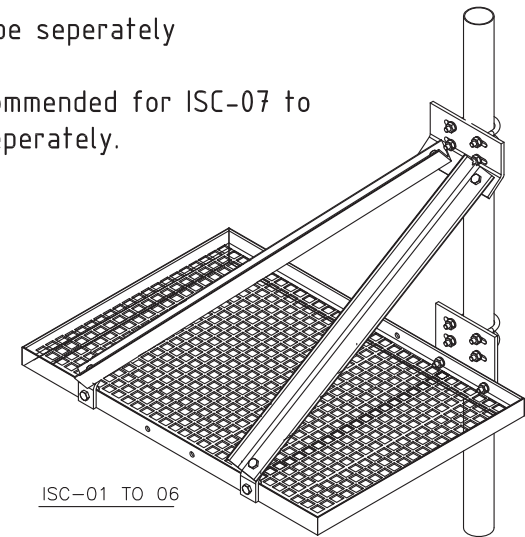
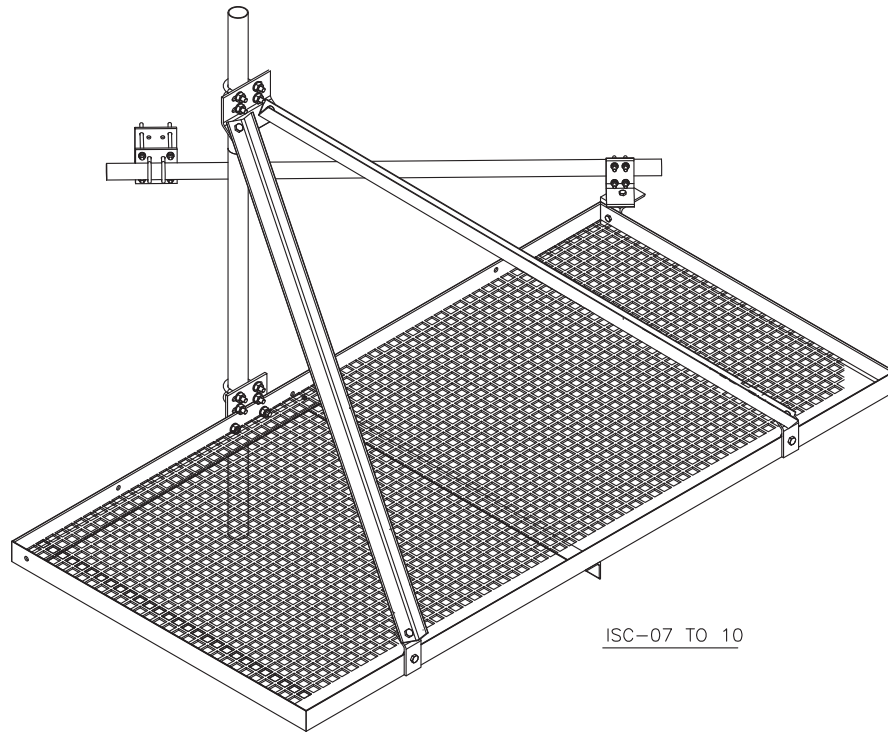
TITLE :			
STANDARD ICE-SHIELDS PROPERTIES			
DRAWN BY	S.S.	SCALE:	REV DATE: 2014
CHK'D BY	S.S.	DWG. No.	REV
MANUF,APR	S.S.	IS - GENERIC & COST	00
SALES,APR	J.S.		

## Ice-Shield Corner (ISC)

Ice-Shield Corner are similar to our standard ice-shields except they are modified to be offset from the pipe by 300mm. This is to accommodate the off-set that usually comes when mounting larger diameter MW's. The ice-shield come in several different sizes, tie-back kits are available for extra stabilization. All ice-shields attach to any pipe from 73mm (2 7/8") to 114mm (4 1/2"). The ice-shields can also be attached to the WPSO and WSO. Four U-bolts are used to connect the ice-shield to the mounting pipe.

Please order Pipe seperately

Tie-Back is recommended for ISC-07 to ISC-10. Order Separately.



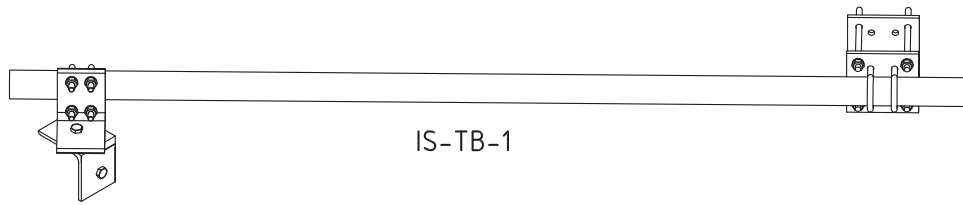
- NOTES :
- 1- MATERIAL: MIN. 300 MPa PER CAN/CSA-G40.21-92.
  - 2- ALL MEMBERS ARE HOT DIP GALVANIZED AFTER FABRICATION PER CAN/CSA G164-92.
  - 3- BOLTS ARE A-325 OR Gr 5 AS SPECIFIED.
  - 4- U-BOLTS ARE C-1018, MIN. 66KSI TENSILE STRENGTH, Gr-5 IS AVAILABLE.
  - 5- H.D. GALVANIZED THREADED RODS ARE B7, MIN. 120 KSI,
  - 6- STAINLESS BOLT/THREADED ROD PER ASTM-A193,TENSILE STR. MIN75 KSI,

**gord Telecom**  
**GORD Telecom Towers**  
 129 Delta Park Blvd., Brampton  
 Ontario L6T 5M8, Canada  
 Tel: 905-791-5800, Fax: 905-791-3325  
 www.gordtelecom.com

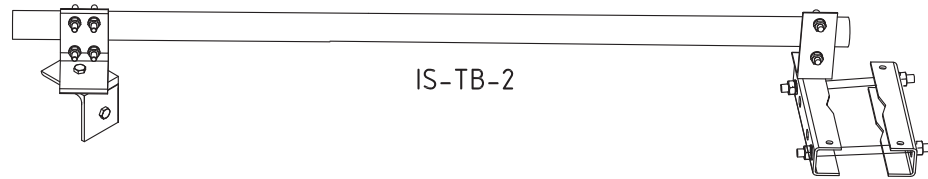
TITLE :  
 ICE-SHIELD CORNER PROPERTIES

DRAWN BY	S.S.	SCALE:	REV DATE: 2014	
CHK'D BY	S.S.	DWG. No.		REV
MANUF,APR	S.S.	ISC - GENERIC & COST		00
SALES,APR	J.S.			

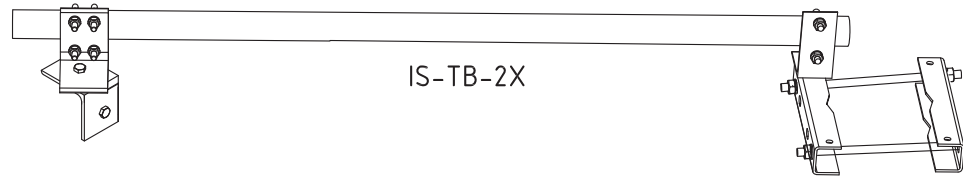
MODEL	A(mm)	B(mm)
ISC-01	800	700
ISC-02	1000	700
ISC-03	1000	800
ISC-04	1200	800
ISC-05	1200	1000
ISC-06	1500	1000
ISC-07	1800	1200
ISC-08	2400	1200
ISC-09	2400	1500
ISC-10	3000	1500



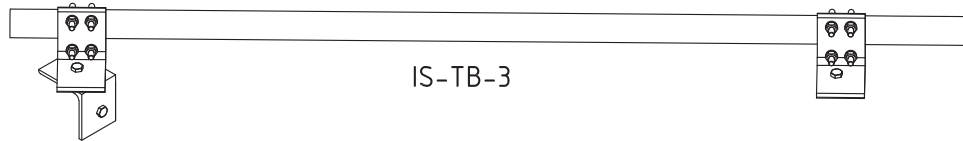
IS-TB-1



IS-TB-2



IS-TB-2X



IS-TB-3

### Ice-Shield Tie-Back (IS-TB)

Ice-Shield Tie-Backs are attached to Ice-Shields to prevent rotation in strong wings, ensure full coverage of the MW or material being protected.

Tie-Backs are sold with and without pipes.

Tie-Back is recommended for IS-07 to IS-10 & ISC-07 to ISC-10. Order Separately.

MODEL	Max Attachement Size
IS-TB-1	4" (102mm) OD Pipe or V3x3 (V76x76) Leg
IS-TB-18	with 2 3/8" x 8' Pipe
IS-TB-110	with 2 3/8" x 10' Pipe
IS-TB-112	with 2 3/8" x 12' Pipe
IS-TB-118	with 2 3/8" x 18' Pipe
IS-TB-2	6" (152mm) OD Pipe or V6x6 (V178x178) Leg
IS-TB-28	with 2 3/8" x 8' Pipe
IS-TB-210	with 2 3/8" x 10' Pipe
IS-TB-212	with 2 3/8" x 12' Pipe
IS-TB-218	with 2 3/8" x 18' Pipe

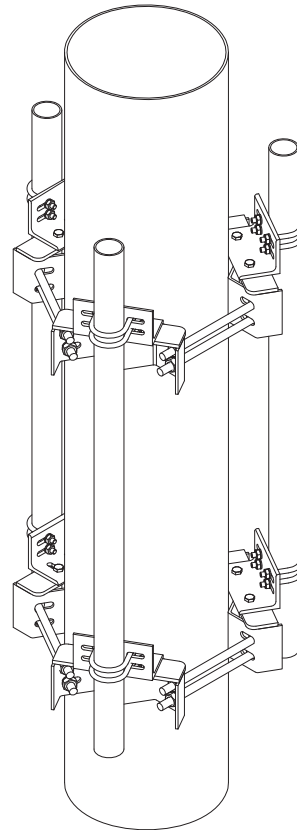
MODEL	Max Attachement Size
IS-TB-2X	11" (280mm) OD Pipe or V8x8 (V200x200) Leg
IS-TB-2X8	with 2 3/8" x 8' Pipe
IS-TB-2X10	with 2 3/8" x 10' Pipe
IS-TB-2X12	with 2 3/8" x 12' Pipe
IS-TB-2X18	with 2 3/8" x 18' Pipe
IS-TB-3	Connects to Angle
IS-TB-38	with 2 3/8" x 8' Pipe
IS-TB-310	with 2 3/8" x 10' Pipe
IS-TB-312	with 2 3/8" x 12' Pipe
IS-TB-318	with 2 3/8" x 18' Pipe

- NOTES :
- 1- MATERIAL: MIN. 300 MPa PER CAN/CSA-G40.21-92.
  - 2- ALL MEMBERS ARE HOT DIP GALVANIZED AFTER FABRICATION PER CAN/CSA G164-92.
  - 3- BOLTS ARE A-325 OR Gr-5 AS SPECIFIED.
  - 4- U-BOLTS ARE C-1018, MIN. 66KSI TENSILE STRENGTH; Gr-5 IS AVAILABLE.
  - 5- H.D. GALVANIZED THREADED RODS ARE B7, MIN. 120 KSI.
  - 6- STAINLESS BOLT/THREADED ROD PER ASTM-A193,TENSILE STR. MIN75 KSI.

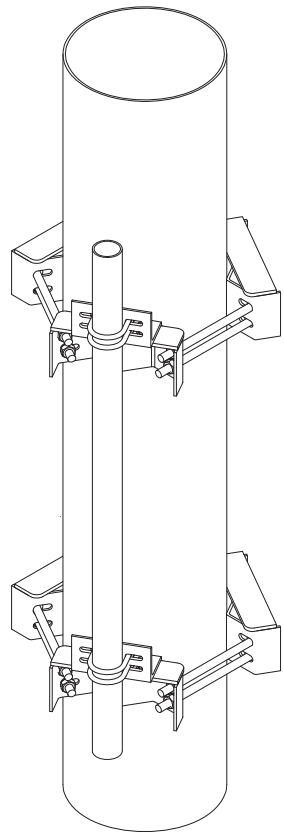
**gord Telecom**  
**GORD Telecom Towers**  
 129 Delta Park Blvd., Brampton  
 Ontario L6T 5M8, Canada  
 Tel: 905-791-5800, Fax: 905-791-3325  
 www.gordtelecom.com

TITLE :			
ICE-SHIELD TIE-BACK			
DRAWN BY	S.S.	SCALE:	REV DATE: 2014
CHK'D BY	S.S.	DWG. No.	REV
MANUF,APR	S.S.	ISTB - GENERIC & COST	
SALES,APR	J.S.		00

# Antenna Mount Monopole

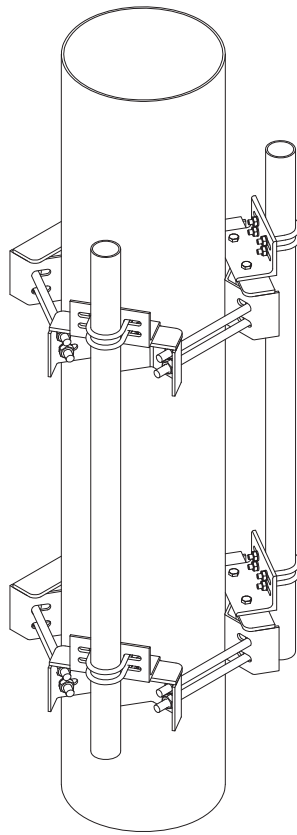


AMP-13-230-33S



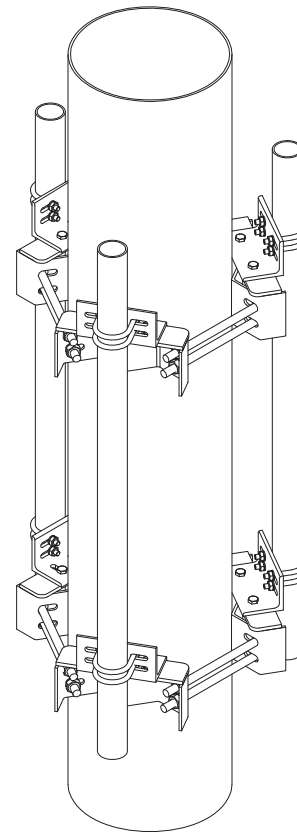
One Sector

AMP-13-230-31S  
AMP-13-330-31S  
AMP-13-410-31S



Two Sector

AMP-13-230-32S  
AMP-13-330-32S  
AMP-13-410-32S



Three Sector

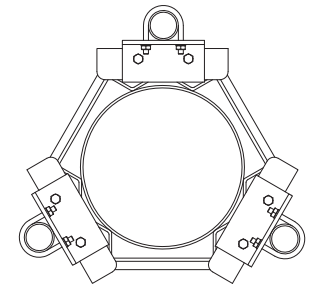
AMP-13-230-33S  
AMP-13-330-33S  
AMP-13-410-33S

## Antenna Mount Pole (AMP-13)

Antenna mounts for Monopoles are available in one, two or three sectors. They can fit anywhere from a 127mm (5") to a 558mm (22") pole.

Hardware and Threaded Rods are included.

Please order Pipes separately.

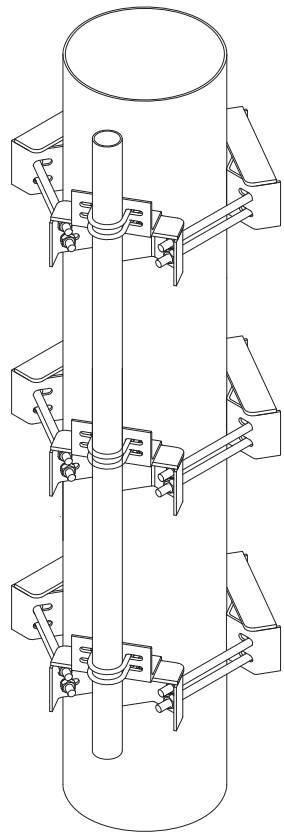


PARTNUMBER	MAX. POLE SIZE	MIN. POLE SIZE	SECTORS
AMP-13-230-31S	305mm (12")	127mm (5")	One
AMP-13-230-32S	305mm (12")	127mm (5")	Two
AMP-13-230-33s	305mm (12")	127mm (5")	Three
AMP-13-330-31S	406mm (16")	254mm (10")	One
AMP-13-330-32S	406mm (16")	254mm (10")	Two
AMP-13-330-33S	406mm (16")	254mm (10")	Three
AMP-13-410-31S	558mm (22")	305mm (12")	One
AMP-13-410-32S	558mm (22")	305mm (12")	Two
AMP-13-410-33S	558mm (22")	305mm (12")	Three

- NOTES :
- 1- MATERIAL: MIN. 300 MPa PER CAN/CSA-G40.21-92.
  - 2- ALL MEMBERS ARE HOT DIP GALVANIZED AFTER FABRICATION PER CAN/CSA G164-92.
  - 3- BOLTS ARE A-325 OR Gr 5 AS SPECIFIED.
  - 4- U-BOLTS ARE C-1018, MIN. 66KSI TENSILE STRENGTH, Gr 5 IS AVAILABLE.
  - 5- H.D. GALVANIZED THREADED RODS ARE B7, MIN. 120 KSI.
  - 6- STAINLESS BOLT/THREADED ROD PER ASTM-A193, TENSILE STR. MIN75 KSI.

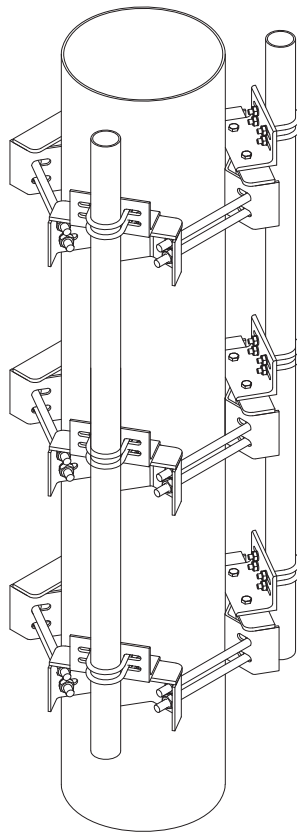
**gord** Telecom Towers  
129 Delta Park Blvd., Brampton  
Ontario L6T 5M8, Canada  
Tel. 905-791-5800, Fax. 905-791-3325  
[www.gordtelecom.com](http://www.gordtelecom.com)

TITLE :			
Antenna Mount Pole (AMP-13)			
DRAWN BY	S.S.	SCALE:	REV DATE: 2014
CHK'D BY	S.S.	DWG. No.	REV
MANUF. APR	S.S.	AMP-13-GENERIC & COST	
SALES. APR	J.S.	00	



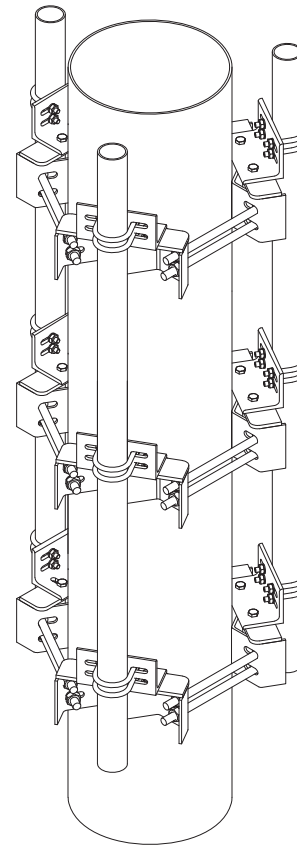
One Sector

AMP-13T-230-31S  
AMP-13T-330-31S  
AMP-13T-410-31S



Two Sector

AMP-13T-230-32S  
AMP-13T-330-32S  
AMP-13T-410-32S



Three Sector

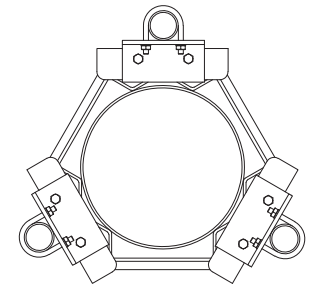
AMP-13T-230-33S  
AMP-13T-330-33S  
AMP-13T-410-33S

## Antenna Mount Pole (AMP-13T)

Antenna mounts for Monopoles are available in one, two or three sectors. They can fit anywhere from a 127mm (5") to a 558mm (22") pole. Similar to other AMP models but this one is 3-Levelled.


Hardware and Threaded Rods are included.

Please order Pipes separately.



PARTNUMBER	MAX. POLE SIZE	MIN. POLE SIZE	SECTORS	PIPE BRACKET	THREADED ROD
AMP-13T-230-31S	305mm (12")	127mm (5")	One	L102x102x6.4 PB4464200	5/8" x 13" B7 T.R.
AMP-13T-230-32S	305mm (12")	127mm (5")	Two	L102x102x6.4 PB4464200	5/8" x 13" B7 T.R.
AMP-13T-230-33s	305mm (12")	127mm (5")	Three	L102x102x6.4 PB4464200	5/8" x 13" B7 T.R.
AMP-13T-330-31S	406mm (16")	254mm (10")	One	L102x102x6.4 PB4464200	5/8" x 13" B7 T.R.
AMP-13T-330-32S	406mm (16")	254mm (10")	Two	L102x102x6.4 PB4464200	5/8" x 13" B7 T.R.
AMP-13T-330-33S	406mm (16")	254mm (10")	Three	L102x102x6.4 PB4464200	5/8" x 13" B7 T.R.
AMP-13T-410-31S	558mm (22")	305mm (12")	One	L102x102x6.4 PB4464200	5/8" x 18" B7 T.R.
AMP-13T-410-32S	558mm (22")	305mm (12")	Two	L102x102x6.4 PB4464200	5/8" x 18" B7 T.R.
AMP-13T-410-33S	558mm (22")	305mm (12")	Three	L102x102x6.4 PB4464200	5/8" x 18" B7 T.R.

- NOTES :
- 1- MATERIAL: MIN. 300 MPa PER CAN/CSA-G40.21-92.
  - 2- ALL MEMBERS ARE HOT DIP GALVANIZED AFTER FABRICATION PER CAN/CSA G164-92.
  - 3- BOLTS ARE A-325 OR Gr 5 AS SPECIFIED.
  - 4- U-BOLTS ARE C-1018, MIN. 66KSI TENSILE STRENGTH, Gr 5 IS AVAILABLE.
  - 5- H.D. GALVANIZED THREADED RODS ARE B7, MIN. 120 KSI.
  - 6- STAINLESS BOLT/THREADED ROD PER ASTM-A193,TENSILE STR. MIN75 KSI.

 <b>GORD Telecom Towers</b> 129 Delta Park Blvd., Brampton Ontario L6T 5M8, Canada Tel. 905-791-5800, Fax. 905-791-3325 <a href="http://www.gordtelecom.com">www.gordtelecom.com</a>		
TITLE :		
Antenna Mount Pole (AMP-13T)		
DRAWN BY S.S.	SCALE:	REV DATE: 2014
CHK'D BY S.S.	DWG. No.	REV
MANUF. APR S.S.	AMP-13T-GENERIC & COST	
SALES. APR J.S.	00	



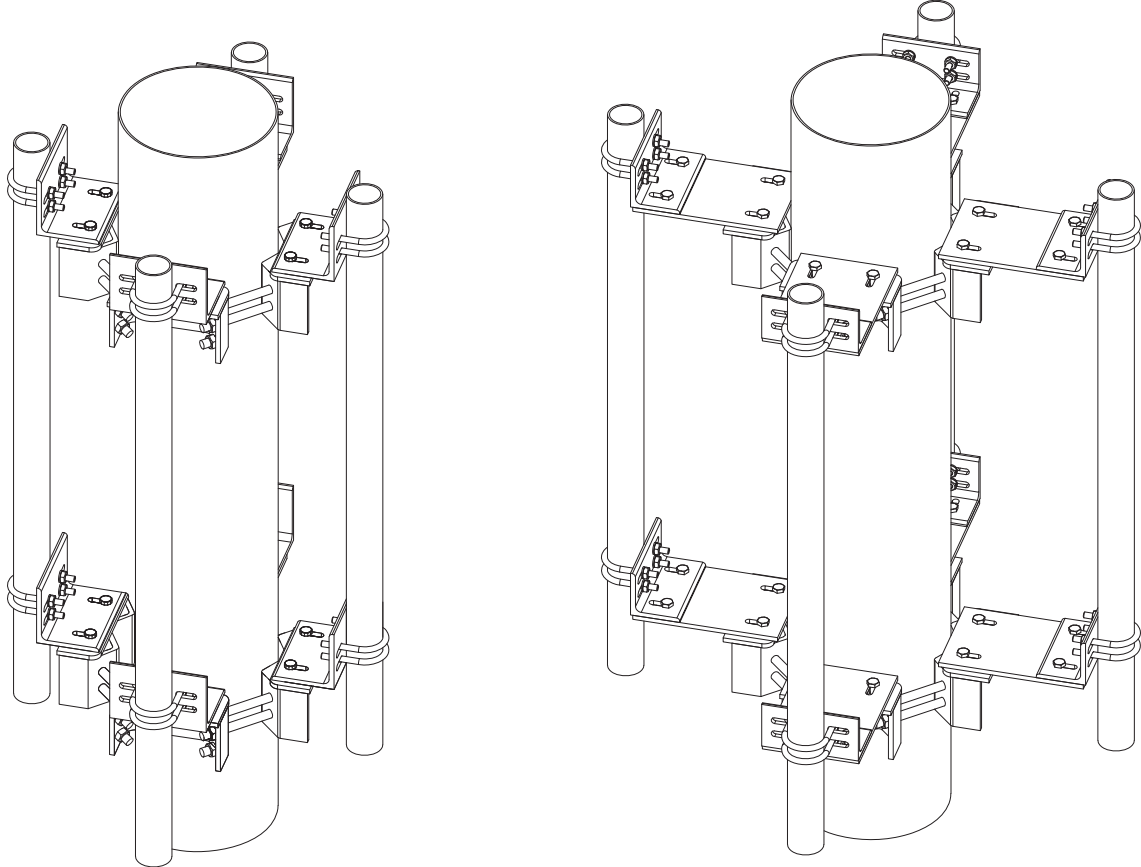
**Antenna Mount Pole (AMP-13-4)**

These Antenna Mounts for Monopoles are for 4 Sector purposes. They are available with or without extension plates. They can fit anywhere from a 127mm (5") to a 533mm (21") pole.

They are available with or without 300mm (12") Extension plates.

Hardware and Threaded Rods are included.

Please order Pipes separately.

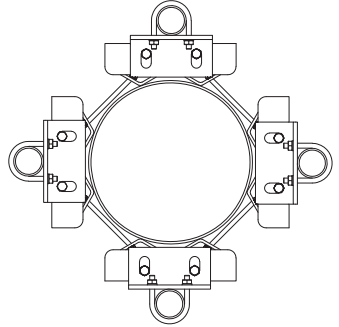


3D VIEW

AMP-13-230-4S  
AMP-13-330-4S  
AMP-13-410-4S

3D VIEW

AMP-13-230-4SX  
AMP-13-330-4SX  
AMP-13-410-4SX



TOP VIEW

- NOTES :
- 1- MATERIAL: MIN. 300 MPa PER CAN/CSA-G40.21-92.
  - 2- ALL MEMBERS ARE HOT DIP GALVANIZED AFTER FABRICATION PER CAN/CSA G164-92.
  - 3- BOLTS ARE A-325 OR Gr 5 AS SPECIFIED.
  - 4- U-BOLTS ARE L-1018, MIN. 66KSI TENSILE STRENGTH, Gr 5 IS AVAILABLE.
  - 5- H.D. GALVANIZED THREADED RODS ARE B7, MIN. 120 KSI.
  - 6- STAINLESS BOLT/THREADED ROD PER ASTM-A193,TENSILE STR. MIN75 KSI.

PARTNUMBER	MAX. POLE SIZE	MIN. POLE SIZE	EXTENSION
AMP-13-230-4S	305mm (12")	200mm (8")	N/A
AMP-13-230-4SX	305mm (12")	200mm (8")	300mm (12")
AMP-13-330-4S	406mm (16")	330mm (13")	N/A
AMP-13-330-4SX	406mm (16")	330mm (13")	300mm (12")
AMP-13-410-4S	533mm (21")	406mm (16")	N/A
AMP-13-410-4SX	533mm (21")	406mm (16")	300mm (12")

**GORD Telecom Towers**  
129 Delta Park Blvd., Brampton  
Ontario L6T 5M8, Canada  
Tel. 905-791-5800, Fax. 905-791-3325  
[www.gordtelecom.com](http://www.gordtelecom.com)

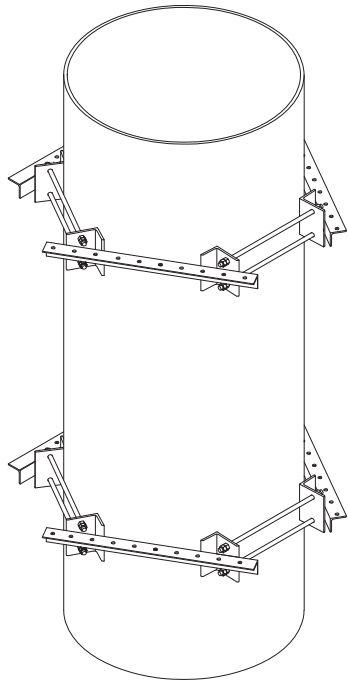
---

TITLE :

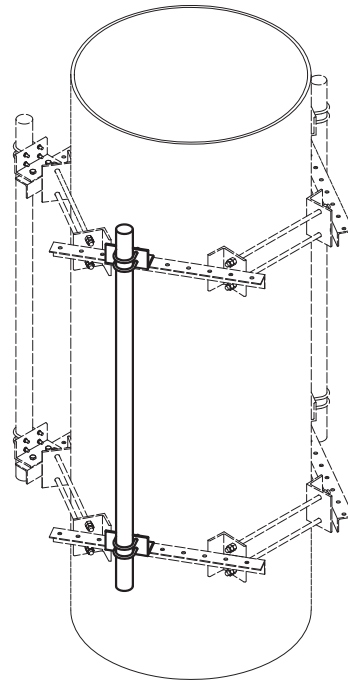
Antenna Mount Pole (AMP-13)  
4 Sector Combinations

DRAWN BY S.S	SCALE:	REV DATE: Jan.15.2016	
CHK'D BY S.S.	DWG. No.		REV
MANUF,APR S.S.	AMP-13-4-GENERIC & COST		
SALES,APR J.S.			00





Monopole Mount  
AMP-26-800  
AMP-26-1000



Pipe Bracket for Mount (1 Sector)  
AMP-26-PBA  
AMP-26-PBB

## Antenna Mount Pole 26 (AMP-26)

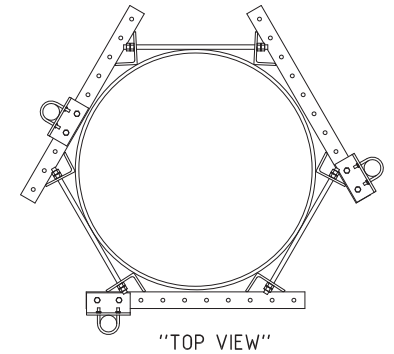
AMP-26 is a larger version of the AMP-13 mounts. They are great for RF or MW antennas. They are designed to work with single up to three sector antennas. The extra holes on the angle allow you to adjust the exact position of the pole once installed.

Please order Pipe Brackets for the mount separately.

Please order Pipe for the mount separately.

Please order 3 sets of AMP-26-PBA or AMP-26-PBA for 3 sectors. Sold in 1 sector only.


Threaded rods included.

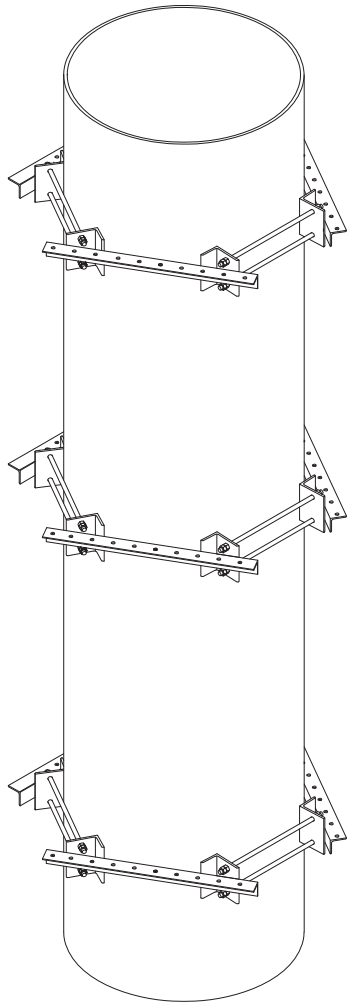


- NOTES :
- 1- MATERIAL: MIN. 300 MPa PER CAN/CSA-G4-0.21-92.
  - 2- ALL MEMBERS ARE HOT DIP GALVANIZED AFTER FABRICATION PER CAN/CSA G164-92.
  - 3- BOLTS ARE A-325 OR Gr 5 AS SPECIFIED.
  - 4- U-BOLTS ARE C-1018, MIN. 66KSI TENSILE STRENGTH, Gr 5 IS AVAILABLE.
  - 5- H.D. GALVANIZED THREADED RODS ARE B7, MIN. 120 KSI.
  - 6- STAINLESS BOLT/THREADED ROD PER ASTM-A193,TENSILE STR. MIN75 KSI.

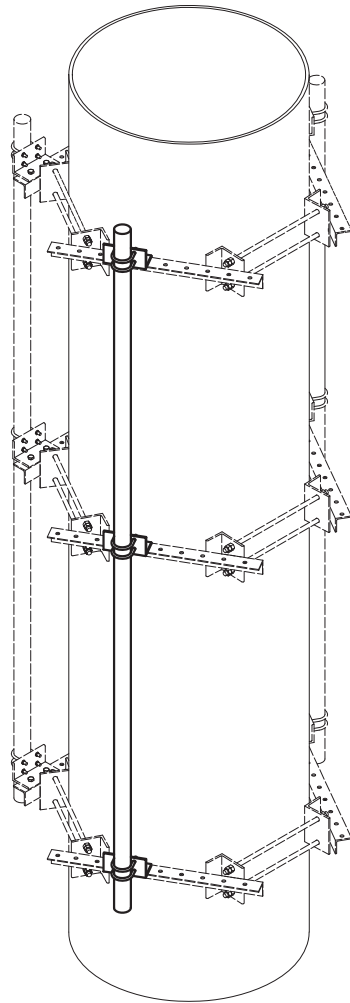
PARTNUMBER	MIN. POLE SIZE	MAX. POLE SIZE	THREADED ROD
AMP-26-800	610mm (24")	914mm (36")	3/4" B7 T.R.
AMP-26-1000	914mm (36")	1060mm (42")	3/4" B7 T.R.

PART NUMBER	ANTENNA PIPE SIZE
AMP-26-PBA	2x PIPE BRACKETS - FITS 73mm (2 7/8") to 114mm (4 1/2")

 <b>GORD Telecom Towers</b> 129 Delta Park Blvd., Brampton Ontario L6T 5M8, Canada Tel. 905-791-5800, Fax. 905-791-3325 <a href="http://www.gordtelecom.com">www.gordtelecom.com</a>			
TITLE :			
Antenna Mount Pole 26 (AMP-26)			
DRAWN BY	S.S.	SCALE:	REV DATE: 2020
CHK'D BY	S.S.	DWG. No.	REV
MANUF,APR	S.S.	AMP-26-Price & Technical	
SALES,APR	J.S.	00	



Monopole Mount  
AMP-26T-800  
AMP-26T-1000



Pipe Bracket for Mount (1 Sector)  
AM-26T-PBA  
AM-26T-PBB

## Antenna Mount Pole 26 Triple (AMP-26T)

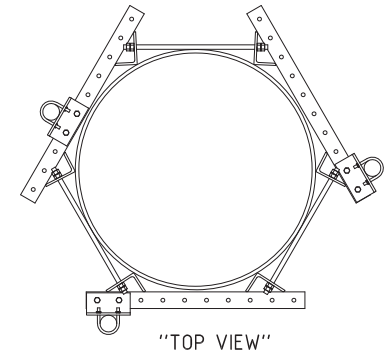
AMP-26T is a larger version of the AMP-13 mounts. They are great for RF or MW antennas. They are designed to work with single up to three sector antennas. The extra holes on the angle allow you to adjust the exact position of the pole once installed. This mount comes with 3 rows of collar for extra long pipes.

Please order Pipe Brackets for the mount separately.

Please order Pipe for the mount separately.

Please order 3 sets of AMP-26T-PBA or AMP-26T-PBA for 3 sectors. Sold in 1 sector only.


Threaded rods included.



- NOTES :
- 1- MATERIAL: MIN. 300 MPa PER CAN/CSA-G4-0.21-92.
  - 2- ALL MEMBERS ARE HOT DIP GALVANIZED AFTER FABRICATION PER CAN/CSA G164-92.
  - 3- BOLTS ARE A-325 OR Gr 5 AS SPECIFIED.
  - 4- U-BOLTS ARE C-1018, MIN. 66KSI TENSILE STRENGTH, Gr 5 IS AVAILABLE.
  - 5- H.D. GALVANIZED THREADED RODS ARE B7, MIN. 120 KSI.
  - 6- STAINLESS BOLT/THREADED ROD PER ASTM-A193,TENSILE STR. MIN75 KSI.

PARTNUMBER	MIN. POLE SIZE	MAX. POLE SIZE	THREADED ROD
AMP-26T-800	610mm (24")	914mm (36")	3/4" B7 T.R.
AMP-26T-1000	914mm (36")	1060mm (42")	3/4" B7 T.R.

PART NUMBER	ANTENNA PIPE SIZE
AMP-26T-PBA	3x PIPE BRACKETS - FITS 73mm (2 7/8") to 114mm (4 1/2")

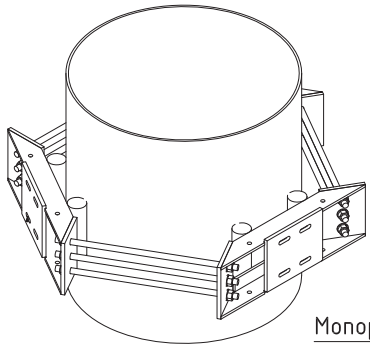
 <b>GORD Telecom Towers</b> 129 Delta Park Blvd., Brampton Ontario L6T 5M8, Canada Tel. 905-791-5800, Fax. 905-791-3325 <a href="http://www.gordtelecom.com">www.gordtelecom.com</a>			
TITLE :			
Antenna Mount Pole 26 Triple (AMP-16T)			
DRAWN BY	S.S.	SCALE:	REV DATE: 2015
CHK'D BY	S.S.	DWG. No.	REV
MANUF,APR	S.S.	AMP-UN-Price & Technical	
SALES,APR	J.S.	00	

## Antenna Mount Pole (AMP-UN)

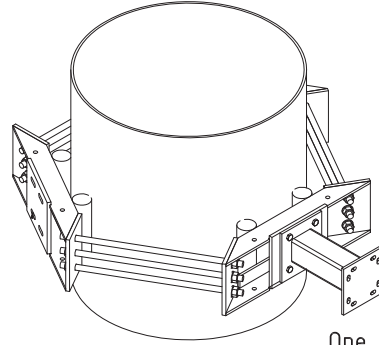
AMP-UN is our most heavy duty monopole collar. It is best for MW's an other large apertures. Two different models are available, the UN-03 an the larger, UN-05. 300mm (12") Stand-Offs are also available when you require an offset.

Fits 73mm (2 <sup>7</sup>/<sub>8</sub>") to 114mm (4 <sup>1</sup>/<sub>2</sub>") Pipes.

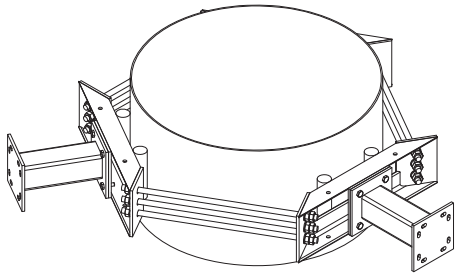
Please order Pipes seperately.



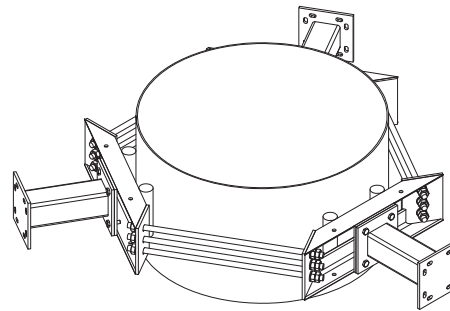
Monopole Mount  
UN-03-00  
UN-05-00



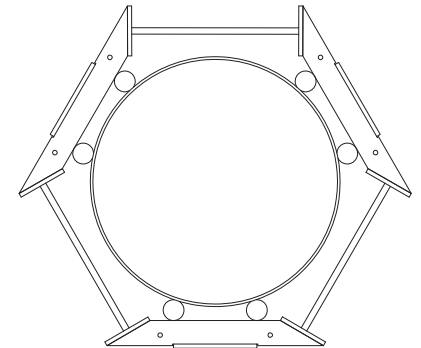
One Stand-Off  
UN-03-01  
UN-05-01



Two Stand-Off  
UN-03-02  
UN-05-02



Three Stand-Off  
UN-03-03  
UN-05-03



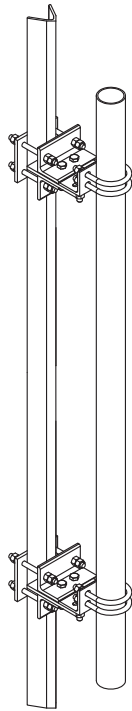
- NOTES :
- 1- MATERIAL: MIN. 300 MPa PER CAN/CSA-G40.21-92.
  - 2- ALL MEMBERS ARE HOT DIP GALVANIZED AFTER FABRICATION PER CAN/CSA G164-92.
  - 3- BOLTS ARE A-325 OR Gr 5 AS SPECIFIED.
  - 4- U-BOLTS ARE C-1018, MIN. 66KSI TENSILE STRENGTH, Gr 5 IS AVAILABLE.
  - 5- H.D. GALVANIZED THREADED RODS ARE B7, MIN. 120 KSI.
  - 6- STAINLESS BOLT/THREADED ROD PER ASTM-A193,TENSILE STR. MIN75 KSI.

**gord** Telecom  
GORD Telecom Towers  
129 Delta Park Blvd., Brampton  
Ontario L6T 5M8, Canada  
Tel. 905-791-5800, Fax. 905-791-3325  
www.gordtelecom.com

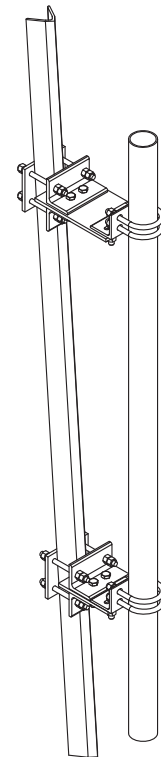
TITLE :			
Antenna Mount Pole (AMP-UN)			
DRAWN BY	S.S.	SCALE:	REV DATE: 2015
CHK'D BY	S.S.	DWG. No.	REV
MANUF,APR	S.S.	AMP-UN-Price & Technical	00
SALES,APR	J.S.		

PARTNUMBER	MIN. POLE SIZE	MAX. POLE SIZE	STAND-OFFS
AMP-UN03-00	305mm (12")	762mm (30")	-
AMP-UN03-01	305mm (12")	762mm (30")	One
AMP-UN03-02	305mm (12")	762mm (30")	Two
AMP-UN03-03	305mm (12")	762mm (30")	Three
AMP-UN05-00	762mm (30")	1524mm (60")	-
AMP-UN05-01	762mm (30")	1524mm (60")	One
AMP-UN05-02	762mm (30")	1524mm (60")	Two
AMP-UN05-03	762mm (30")	1524mm (60")	Three

# Antenna Mount Self-Support Tower



AMS-12-31



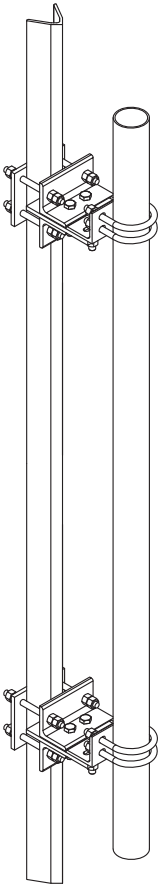
AMS-12-32

**Antenna Mount Self Support (AMS-12)**

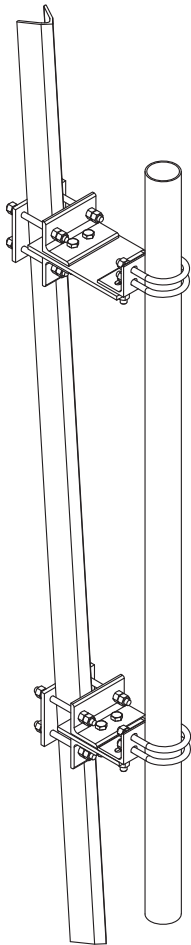
These antenna mounts for self-support towers are available for attachments to either straight legs or tapered. They are also available in sizes from V64x64 (V2 1/2"x2 1/2") to V152x152 (V6"x6").

Hardware Included.

Please order pipe separately.



**STRAIGHT LEG**  
AMS-12-31  
AMS-12-32



**TAPERED LEG**  
AMS-12-41  
AMS-12-42

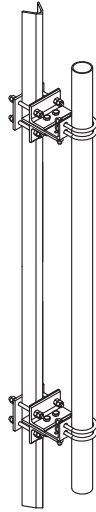
- NOTES :
- 1- MATERIAL: MIN. 300 MPa PER CAN/CSA-G4-0.21-92.
  - 2- ALL MEMBERS ARE HOT DIP GALVANIZED AFTER FABRICATION PER CAN/CSA G164-92.
  - 3- BOLTS ARE A-325 OR Gr5 AS SPECIFIED.
  - 4- U-BOLTS ARE C-1018, MIN. 66KSI TENSILE STRENGTH, Gr5 IS AVAILABLE.
  - 5- H.D. GALVANIZED THREADED RODS ARE B7, MIN. 120 KSI.
  - 6- STAINLESS BOLT/THREADED ROD PER ASTM-A193,TENSILE STR. MIN75 KSI.

PARTNUMBER	TOWER LEG SIZE (IMPERIAL)	CONNECTION STYLE
AMS-12-31	V64x64 to V102x102 (V2 1/2x2 1/2 to V4xV4)	STRAIGHT LEG
AMS-12-32	V127x127 to V152x152 (V5x5 to V6x6)	STRAIGHT LEG
AMS-12-41	V64x64 to V102x102 (V2 1/2x2 1/2 to V4xV4)	TAPERED LEG
AMS-12-42	V127x127 to V152x152 (V5x5 to V6x6)	TAPERED LEG

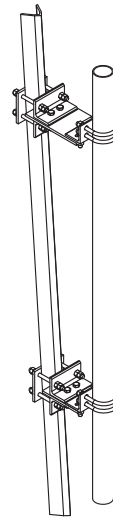
**gord Telecom** GORD Telecom Towers  
 129 Delta Park Blvd., Brampton  
 Ontario L6T 5M8, Canada  
 Tel. 905-791-5800, Fax. 905-791-3325  
[www.gordtelecom.com](http://www.gordtelecom.com)

TITLE :  
 Antenna Mount – Self Support (AMS)

DRAWN BY	S.S.	SCALE:	REV DATE:	2014
CHK'D BY	S.S.	DWG. No.		REV
MANUF,APR	S.S.		AMS-12-GENERIC & COST	00
SALES,APR	J.S.			



STRAIGHT LEG



TAPERED LEG

## Antenna Mount Self Support (AMS-12) Assemblies

These antenna mounts for self-support towers are available for attachments to either straight legs or tapered. They are also available in sizes from V64x64 (V2 1/2"x2 1/2") to V152x152 (V6"x6").

Pipe & Hardware Included.

PARTNUMBER	PIPE	TOWER LEG SIZE (IMPERIAL)	CONNECTION STYLE
AMS-12-31-71	HSS 73 x 6.4 x 1830mm	V64x64 to V102x102 (V2 1/2x2 1/2 to V4xV4)	STRAIGHT LEG
AMS-12-31-72	HSS 73 x 6.4 x 2400mm	V64x64 to V102x102 (V2 1/2x2 1/2 to V4xV4)	STRAIGHT LEG
AMS-12-31-73	HSS 73 x 6.4 x 3000mm	V64x64 to V102x102 (V2 1/2x2 1/2 to V4xV4)	STRAIGHT LEG
AMS-12-31-111	HSS 114 x 6.4 x 1830mm	V64x64 to V102x102 (V2 1/2x2 1/2 to V4xV4)	STRAIGHT LEG
AMS-12-31-112	HSS 114 x 6.4 x 2400mm	V64x64 to V102x102 (V2 1/2x2 1/2 to V4xV4)	STRAIGHT LEG
AMS-12-31-113	HSS 114 x 6.4 x 3000mm	V64x64 to V102x102 (V2 1/2x2 1/2 to V4xV4)	STRAIGHT LEG
AMS-12-32-71	HSS 73 x 6.4 x 1830mm	V127x127 to V152x152 (V5x5 to V6x6)	STRAIGHT LEG
AMS-12-32-72	HSS 73 x 6.4 x 2400mm	V127x127 to V152x152 (V5x5 to V6x6)	STRAIGHT LEG
AMS-12-32-73	HSS 73 x 6.4 x 3000mm	V127x127 to V152x152 (V5x5 to V6x6)	STRAIGHT LEG
AMS-12-32-111	HSS 114 x 6.4 x 1830mm	V127x127 to V152x152 (V5x5 to V6x6)	STRAIGHT LEG
AMS-12-32-112	HSS 114 x 6.4 x 2400mm	V127x127 to V152x152 (V5x5 to V6x6)	STRAIGHT LEG
AMS-12-32-113	HSS 114 x 6.4 x 3000mm	V127x127 to V152x152 (V5x5 to V6x6)	STRAIGHT LEG
AMS-12-41-71	HSS 73 x 6.4 x 1830mm	V64X64 to V102x102 (V2 1/2x2 1/2 to V4xV4)	TAPERED LEG
AMS-12-41-72	HSS 73 x 6.4 x 2400mm	V64X64 to V102x102 (V2 1/2x2 1/2 to V4xV4)	TAPERED LEG
AMS-12-41-73	HSS 73 x 6.4 x 3000mm	V64X64 to V102x102 (V2 1/2x2 1/2 to V4xV4)	TAPERED LEG
AMS-12-41-111	HSS 114 x 6.4 x 1830mm	V64X64 to V102x102 (V2 1/2x2 1/2 to V4xV4)	TAPERED LEG
AMS-12-41-112	HSS 114 x 6.4 x 2400mm	V64X64 to V102x102 (V2 1/2x2 1/2 to V4xV4)	TAPERED LEG
AMS-12-41-113	HSS 114 x 6.4 x 3000mm	V64X64 to V102x102 (V2 1/2x2 1/2 to V4xV4)	TAPERED LEG
AMS-12-42-71	HSS 73 x 6.4 x 1830mm	V127x127 to V152x152 (V5x5 to V6x6)	TAPERED LEG
AMS-12-42-72	HSS 73 x 6.4 x 2400mm	V127x127 to V152x152 (V5x5 to V6x6)	TAPERED LEG
AMS-12-42-73	HSS 73 x 6.4 x 3000mm	V127x127 to V152x152 (V5x5 to V6x6)	TAPERED LEG
AMS-12-42-111	HSS 114 x 6.4 x 1830mm	V127x127 to V152x152 (V5x5 to V6x6)	TAPERED LEG
AMS-12-42-112	HSS 114 x 6.4 x 2400mm	V127x127 to V152x152 (V5x5 to V6x6)	TAPERED LEG
AMS-12-42-113	HSS 114 x 6.4 x 3000mm	V127x127 to V152x152 (V5x5 to V6x6)	TAPERED LEG

- NOTES:
- 1- MATERIAL: MIN. 300 MPa PER CAN/CSA-G4021-92.
  - 2- ALL MEMBERS ARE HOT DIP GALVANIZED AFTER FABRICATION PER CAN/CSA G164-92.
  - 3- BOLTS ARE A-325 OR Gr.5 AS SPECIFIED.
  - 4- U-BOLTS ARE C-1018, MIN. 66KSI TENSILE STRENGTH; Gr.5 IS AVAILABLE.
  - 5- H.D. GALVANIZED THREADED RODS ARE B7, MIN. 120 KSI.
  - 6- STAINLESS BOLT/THREADED ROD PER ASTM-A193,TENSILE STR. MIN75 KSI.

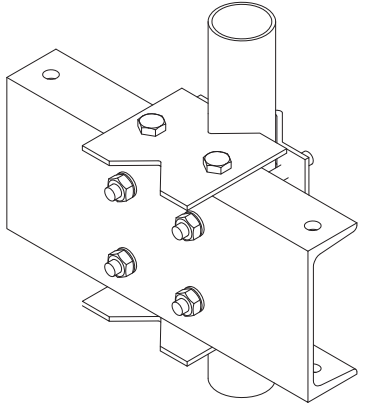
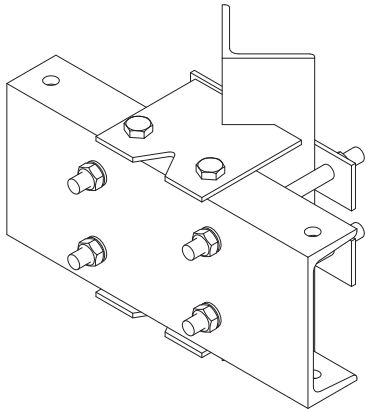
**gord Telecom** GORD Telecom Towers  
 129 Delta Park Blvd., Brampton  
 Ontario L6T 5M8, Canada  
 Tel. 905-791-5800, Fax. 905-791-3325  
[www.gordtelecom.com](http://www.gordtelecom.com)

TITLE :			
Antenna Mount – Self Support (AMS) Assemblies			
DRAWN BY	S.S.	SCALE:	REV DATE: 2014
CHK'D BY	S.S.	DWG. No.	REV
MANUF,APR	S.S.	AMS-12-Assembly-GENERIC & COST	
SALES,APR	J.S.		00

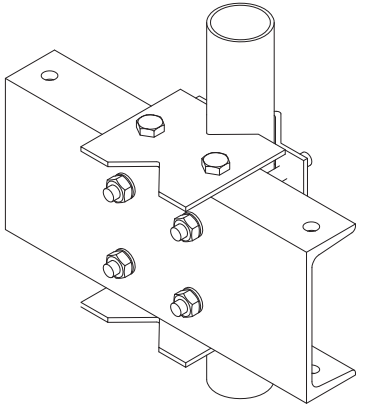
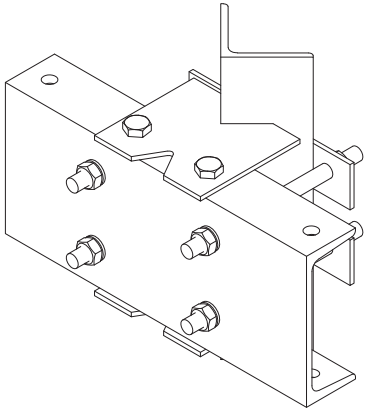
**Strut Support (STRUT121 & STRUT122)**

Strut supports are designed to attach to tower legs (Round or V Shaped). They have 5/8" holes at the top and bottom to connect to MW strut arms. They allow a MW to use the tower leg as a tie-back and provide extra stability.

All hardware included.



**STRUT121**  
**FITS HSS 2 1/2" to 4 1/2"**  
**FITS V2 1/2" to 4"**



**STRUT122**  
**HSS 4 5/8" to 6"**  
**V5" to 6"**

- NOTES :
- 1- MATERIAL: MIN. 300 MPa PER CAN/CSA-G4-021-92.
  - 2- ALL MEMBERS ARE HOT DIP GALVANIZED AFTER FABRICATION PER CAN/CSA G164-92.
  - 3- BOLTS ARE A-325 OR Gr 5 AS SPECIFIED.
  - 4- U-BOLTS ARE C-1018, MIN. 66KSI TENSILE STRENGTH, Gr 5 IS AVAILABLE.
  - 5- H.D. GALVANIZED THREADED RODS ARE B7, MIN. 120 KSI.
  - 6- STAINLESS BOLT/THREADED ROD PER ASTM-A193,TENSILE STR. MIN75 KSI.

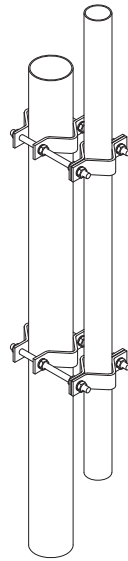
**gord Telecom** **GORD Telecom Towers**  
 129 Delta Park Blvd., Brampton  
 Ontario L6T 5M8, Canada  
 Tel. 905-791-5800, Fax. 905-791-3325  
[www.gordtelecom.com](http://www.gordtelecom.com)

TITLE :			
STRUT SUPPORT (STRUT)			
DRAWN BY	S.S	SCALE:	REV DATE: 2020
CHK'D BY	S.S.	DWG. No.	REV
MANUF,APR	S.S.	STRUT-GENERIC & COST	
SALES,APR	J.S.		00

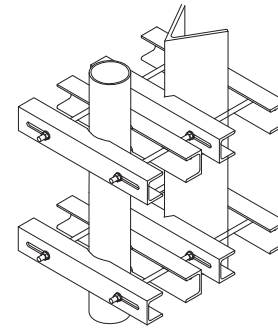
PARTNUMBER	LEG CONNECTIONS
STRUT121	FITS HSS 2 1/2" to 4 1/2" FITS V2 1/2" to 4"
STRUT122	HSS 4 5/8" to 6" V5" to 6"

# Pipe to Pipe Assemblies

## Tower Pipe Mounts

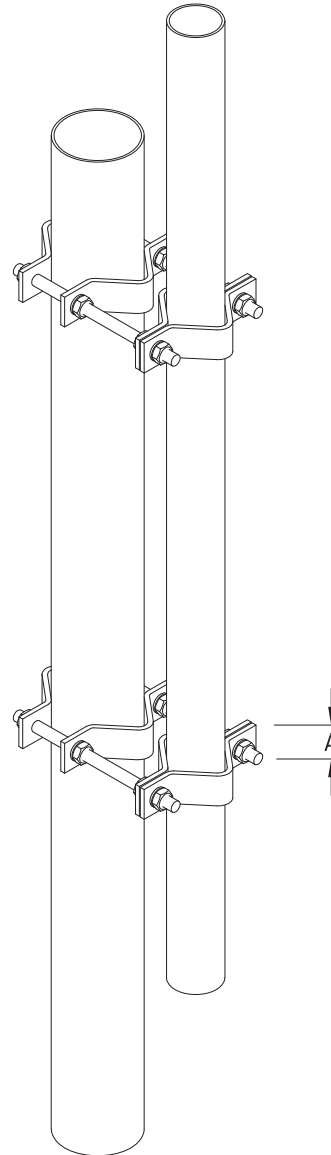
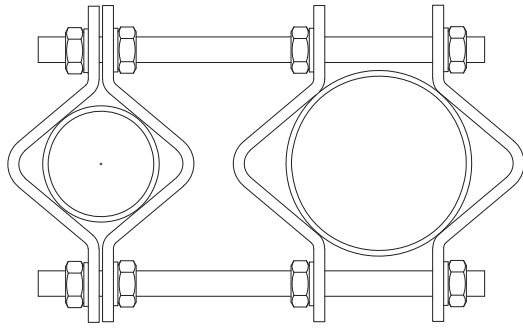


SBAL



UC57-260





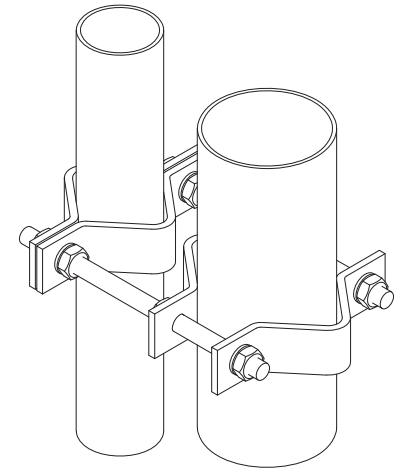
### Saddle Bracket Assembly (SBA)

Saddle Bracket Assemblies are pipe to pipe connections. They are designed to connect pipes to existing pipes. They can either be offset or snug close. This can be useful when installing new Antennas on new pipes.

Each set comes with One Connection. It is recommended to at least order two or more sets per pipe.

Sets come with standard hardware.

Please order Pipes separately.

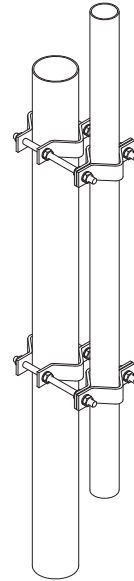
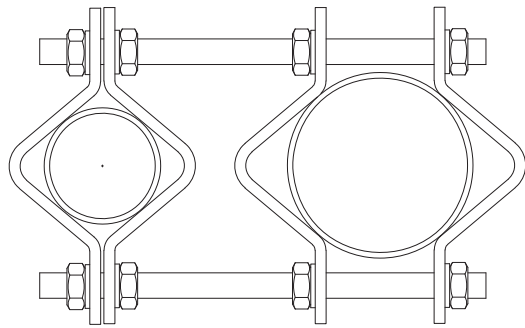


- NOTES:
- 1- MATERIAL: MIN. 300 MPa PER CAN/CSA-G4.0:21-92.
  - 2- ALL MEMBERS ARE HOT DIP GALVANIZED AFTER FABRICATION PER CAN/CSA G164-92.
  - 3- BOLTS ARE A-325 OR Gr.5 AS SPECIFIED.
  - 4- U-BOLTS ARE C-1018, MIN. 66KSI TENSILE STRENGTH, Gr.5 IS AVAILABLE.
  - 5- H.D. GALVANIZED THREADED RODS ARE B7, MIN. 120 KSI.
  - 6- STAINLESS BOLT/THREADED ROD PER ASTM-A193,TENSILE STR. MIN75 KSI.

**gord Telecom** GORD Telecom Towers  
 129 Delta Park Blvd., Brampton  
 Ontario L6T 5M8, Canada  
 Tel. 905-791-5800, Fax. 905-791-3325  
[www.gordtelecom.com](http://www.gordtelecom.com)

TITLE :			
Saddle Bracket Assembly			
DRAWN BY	S.S.	SCALE:	REV DATE: 2016
CHK'D BY	S.S.	DWG. No.	REV.
MANUF,APR	S.S.	Saddle Bracket-Generc & Cost	
SALES,APR	J.S.		00

PART NUMBER	PART DESCRIPTION	A
SBAL	Saddle Assembly - Light Duty	PL 51x9.5
SBAM	Saddle Assembly - Medium Duty	PL 64x6.4
SBAH	Saddle Assembly - Heavy Duty	PL 64x9.5

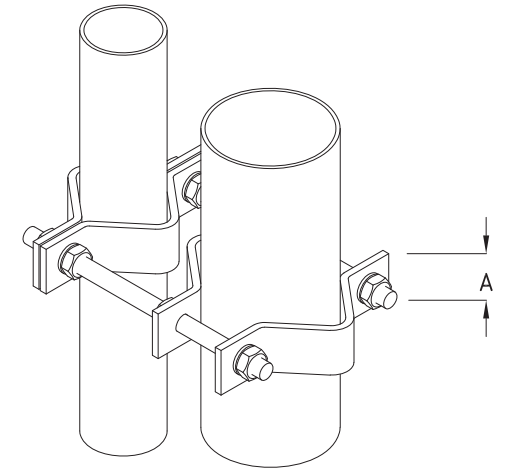


### Saddle Bracket Assembly (SBA) - Pipe Combinations

Saddle Bracket Assemblies are pipe to pipe connections. They are designed to connect pipes to existing pipes. They can either be offset or snug close. This can be useful when installing new Antennas on new pipes.

Each set comes with Two Connections and/or 73mm  $\phi$  Pipe

Sets come with standard hardware.

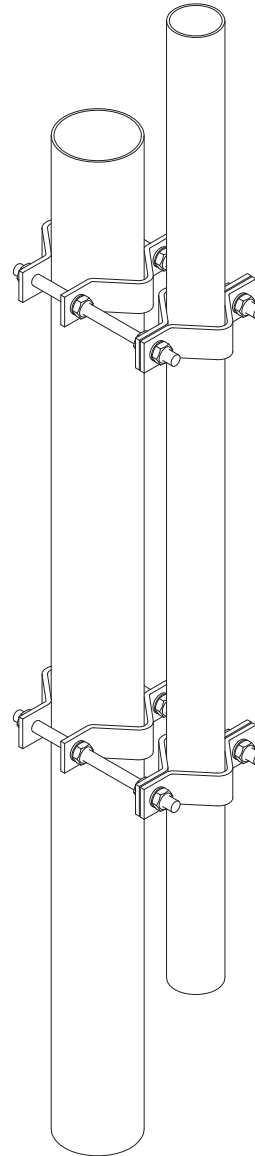
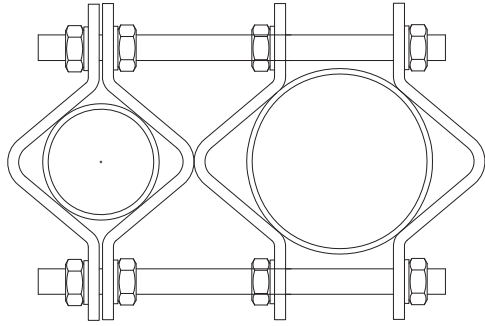


- NOTES:
- 1- MATERIAL: MIN. 300 MPa PER CAN/CSA-G40.21-92.
  - 2- ALL MEMBERS ARE HOT DIP GALVANIZED AFTER FABRICATION PER CAN/CSA G164-92.
  - 3- BOLTS ARE A-325 OR Gr5 AS SPECIFIED.
  - 4- U-BOLTS ARE C-1018, MIN. 66KSI TENSILE STRENGTH, Gr5 IS AVAILABLE.
  - 5- H.D. GALVANIZED THREADED RODS ARE B7, MIN. 120 KSI.
  - 6- STAINLESS BOLT/THREADED ROD PER ASTM-A193, TENSILE STR. MIN75 KSI.

**gord** Telecom Towers  
 129 Delta Park Blvd., Brampton  
 Ontario L6T 5M8, Canada  
 Tel. 905-791-5800, Fax. 905-791-3325  
[www.gordtelecom.com](http://www.gordtelecom.com)

TITLE :			
Saddle Bracket Assembly Pipe Combinations			
DRAWN BY	S.S.	SCALE:	REV DATE: 2016
CHK'D BY	S.S.	DWG. No.	REV.
MANUF, APR	S.S.	Saddle Bracket Assembly- Generic & Cost	
SALES, APR	J.S.		00

PART NUMBER	PART DESCRIPTION	A	PIPE SUPPLIED
SBAL-P	Saddle Assembly - Light Duty	PL 51x9.5	NA
SBAL-4	Saddle Assembly - Light Duty	PL 51x9.5	HSS 73 x 5 x 1.22m Pipe
SBAL-6	Saddle Assembly - Light Duty	PL 51x9.5	HSS 73 x 5 x 1.83m Pipe
SBAL-8	Saddle Assembly - Light Duty	PL 51x9.5	HSS 73 x 5 x 2.44m Pipe
SBAL-10	Saddle Assembly - Light Duty	PL 51x9.5	HSS 73 x 5 x 3.05m Pipe
SBAM-P	Saddle Assembly - Medium Duty	PL 64x6.4	NA
SBAM-4	Saddle Assembly - Medium Duty	PL 64x6.4	HSS 73 x 5 x 1.22m Pipe
SBAM-6	Saddle Assembly - Medium Duty	PL 64x6.4	HSS 73 x 5 x 1.83m Pipe
SBAM-8	Saddle Assembly - Medium Duty	PL 64x6.4	HSS 73 x 5 x 2.44m Pipe
SBAM-10	Saddle Assembly - Medium Duty	PL 64x6.4	HSS 73 x 5 x 3.05m Pipe
SBAH-P	Saddle Assembly - Heavy Duty	PL 64x9.5	NA
SBAH-4	Saddle Assembly - Heavy Duty	PL 64x9.5	HSS 73 x 5 x 1.22m Pipe
SBAH-6	Saddle Assembly - Heavy Duty	PL 64x9.5	HSS 73 x 5 x 1.83m Pipe
SBAH-8	Saddle Assembly - Heavy Duty	PL 64x9.5	HSS 73 x 5 x 2.44m Pipe
SBAH-10	Saddle Assembly - Heavy Duty	PL 64x9.5	HSS 73 x 5 x 3.05m Pipe



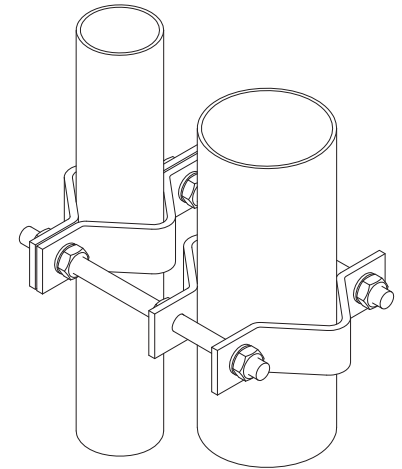
### Welded Saddle Bracket Assembly (WSA)

Welded Saddle Bracket Assemblies are pipe to pipe connections. They are designed to connect pipes to existing pipes. They are welded to one another, providing a sturdy connection.

Each set comes with one connection. It is recommended to atleast order two or more sets per pipe.

Sets come with standard hardware.

Please order Pipes seperately.



- NOTES:
- 1- MATERIAL: MIN. 300 MPa PER CAN/CSA-G40.21-92
  - 2- ALL MEMBERS ARE HOT DIP GALVANIZED AFTER FABRICATION PER CAN/CSA G164-92
  - 3- BOLTS ARE A-325 OR Gr5 AS SPECIFIED
  - 4- U-BOLTS ARE C-1018, MIN. 66KSI TENSILE STRENGTH; Gr5 IS AVAILABLE.
  - 5- H.D. GALVANIZED THREADED RODS ARE B7, MIN. 120 KSI.
  - 6- STAINLESS BOLT/THREADED ROD PER ASTM-A193,TENSILE STR. MIN75 KSI.

**gord Telecom** GORD Telecom Towers  
 129 Delta Park Blvd., Brampton  
 Ontario L6T 5M8, Canada  
 Tel. 905-791-5800, Fax. 905-791-3325  
[www.gordtelecom.com](http://www.gordtelecom.com)

TITLE :			
Welded Saddle Bracket Assembly			
DRAWN BY	S.S.	SCALE:	REV DATE: 2014
CHK'D BY	S.S.	DWG. No.	REV.
MANUF,APR	S.S.	Welded Saddle-Generic & Cost	
SALES,APR	J.S.		00

PART NUMBER	PART DESCRIPTION	A
WSAM	Welded Saddle Assembly - Medium Duty	64mm
WSAH	Welded Saddle Assembly - Heavy Duty	64mm

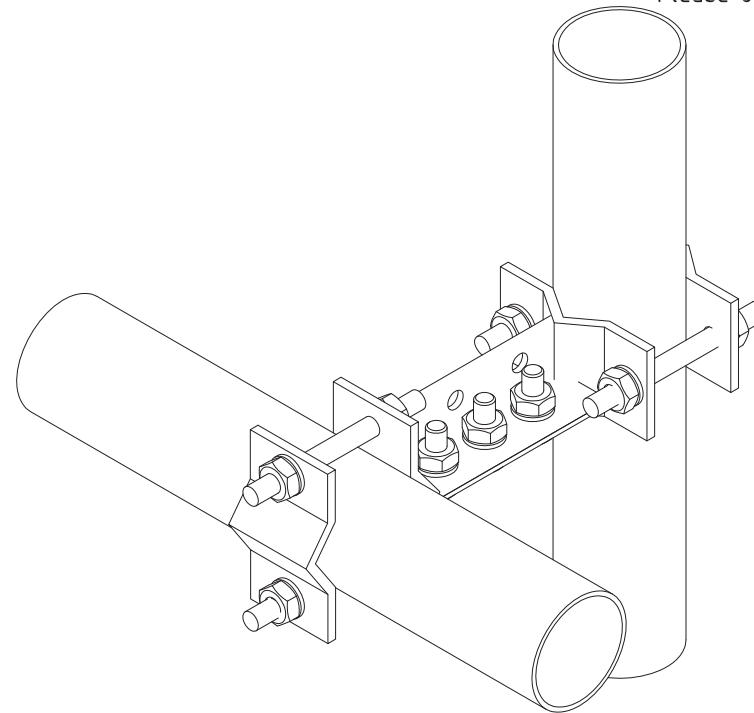
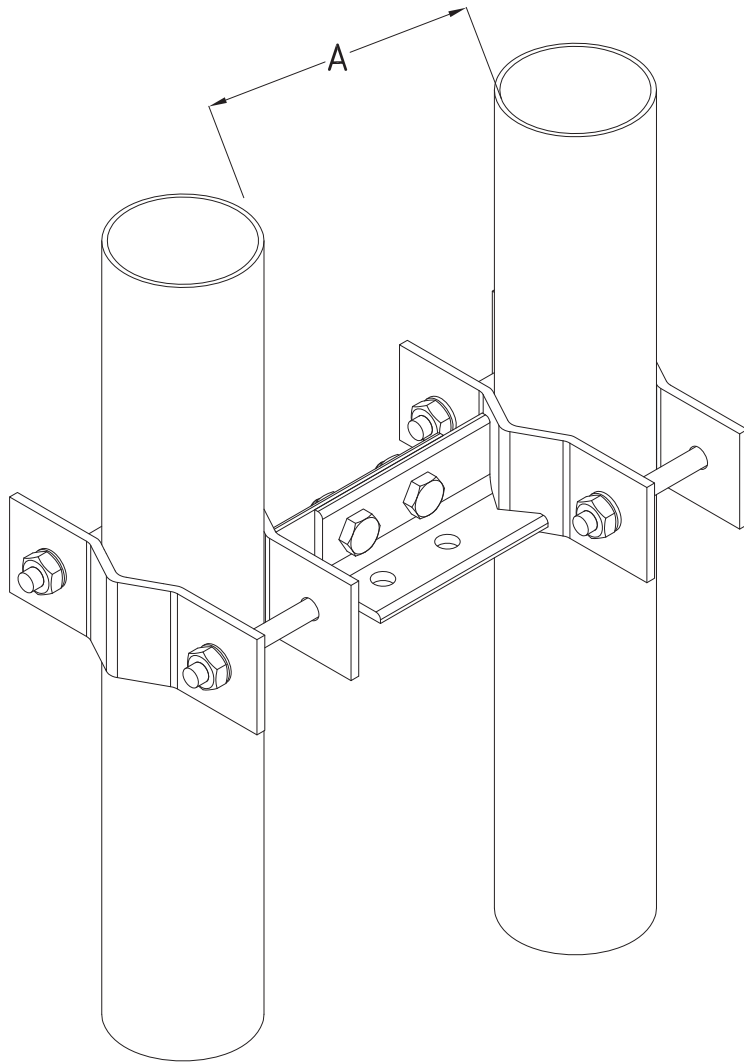
### Transverse Saddle Assembly (TSA)

Transverse Saddle Assemblies are pipe to pipe connections. They are designed to connect pipes to existing pipes. They can be either oriented in 90 or 180 degrees. This can be useful when installing new Antennas on new pipes.

Each set comes with one connection. It is recommended to at least order two or more sets per pipe.

Sets come with standard hardware to fit 73mm (2 7/8") to 114mm (4 1/2") Pipes.

Please order Pipes separately.



- NOTES:
- 1- MATERIAL: MIN. 300 MPa PER CAN/CSA-G40.21-92
  - 2- ALL MEMBERS ARE HOT DIP GALVANIZED AFTER FABRICATION PER CAN/CSA G164-92
  - 3- BOLTS ARE A-325 OR Gr5 AS SPECIFIED
  - 4- U-BOLTS ARE C-1018, MIN. 66KSI TENSILE STRENGTH; Gr5 IS AVAILABLE.
  - 5- H.D. GALVANIZED THREADED RODS ARE B7, MIN. 120 KSI.
  - 6- STAINLESS BOLT/THREADED ROD PER ASTM-A193, TENSILE STR. MIN75 KSI.

**gord** Telecom  
**GORD Telecom Towers**  
 129 Delta Park Blvd., Brampton  
 Ontario L6T 5M8, Canada  
 Tel. 905-791-5800, Fax. 905-791-3325  
[www.gordtelecom.com](http://www.gordtelecom.com)

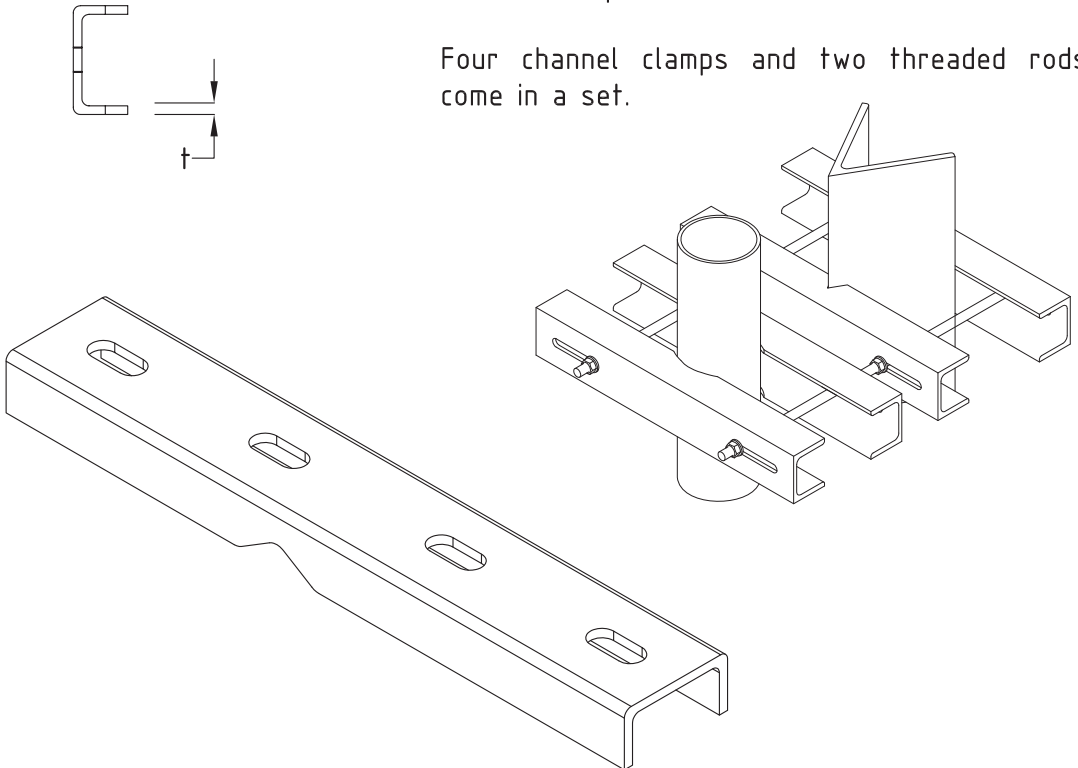
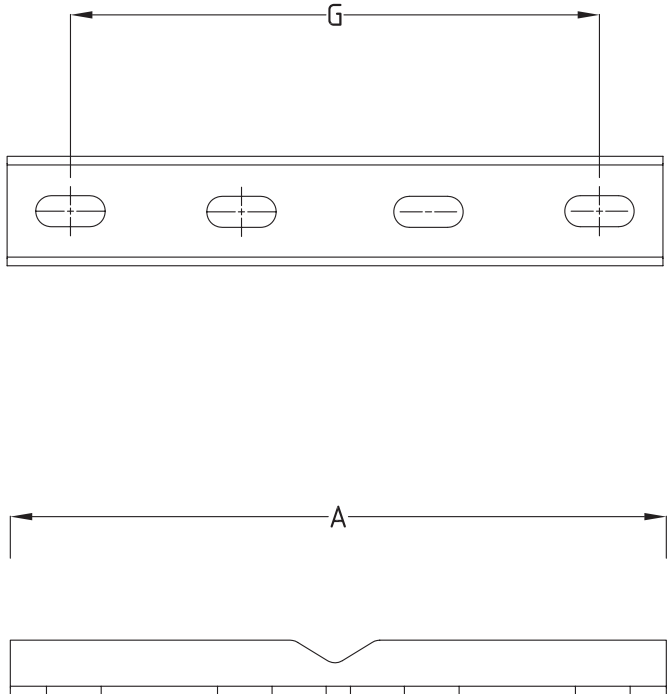
TITLE :			
Transverse Saddle Assembly			
DRAWN BY	S.S.	SCALE:	REV DATE: 2014
CHK'D BY	S.S.	DWG. No.	REV.
MANUF, APR	S.S.	Transverse-Generio & Coast	
SALES, APR	J.S.		00

PART NUMBER	PART DESCRIPTION	A
TSAM	Transverse Saddle Assembly - Medium Duty	200mm
TSAH	Transverse Saddle Assembly - Heavy Duty	180mm

### Universal Clamp (UC)

These single channel clamps can be used to attach to almost any item. Using threaded rods, they can clamp onto a tower leg or pipe and can be attached to either MW Mounts or Cross-Over plates.

Four channel clamps and two threaded rods come in a set.



UNIVERSAL CLAMP	A (mm)	G (mm)	t (mm)	Threaded Rod
UC50-300-XLight-18	300	230	3.2	457mm (18")
UC50-300-Light-18	300	230	4.8	457mm (18")
UC64-300-SR-18	300	230	6.4	457mm (18")
UC64-300-SR-24	300	230	6.4	610mm (24")
UC57-260-Medium-18	260	197	4.8	457mm (18")
UC57-260-Medium-24	260	197	4.8	610mm (24")
UC64-355-Large-18	355	265	4.8	457mm (18")
UC64-355-Large-24	355	265	4.8	610mm (24")

- NOTES :
- 1- MATERIAL: MIN. 300 MPa PER CAN/CSA-G40.21-92.
  - 2- ALL MEMBERS ARE HOT DIP GALVANIZED AFTER FABRICATION PER CAN/CSA G164-92.
  - 3- BOLTS ARE A-325 OR Gr 5 AS SPECIFIED.
  - 4- U-BOLTS ARE C-1018, MIN. 66KSI TENSILE STRENGTH; Gr 5 IS AVAILABLE.
  - 5- H.D. GALVANIZED THREADED RODS ARE B7, MIN. 120 KSI.
  - 6- STAINLESS BOLT/THREADED ROD PER ASTM-A193,TENSILE STR. MIN75 KSI.

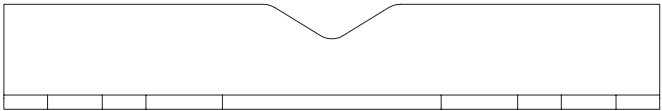
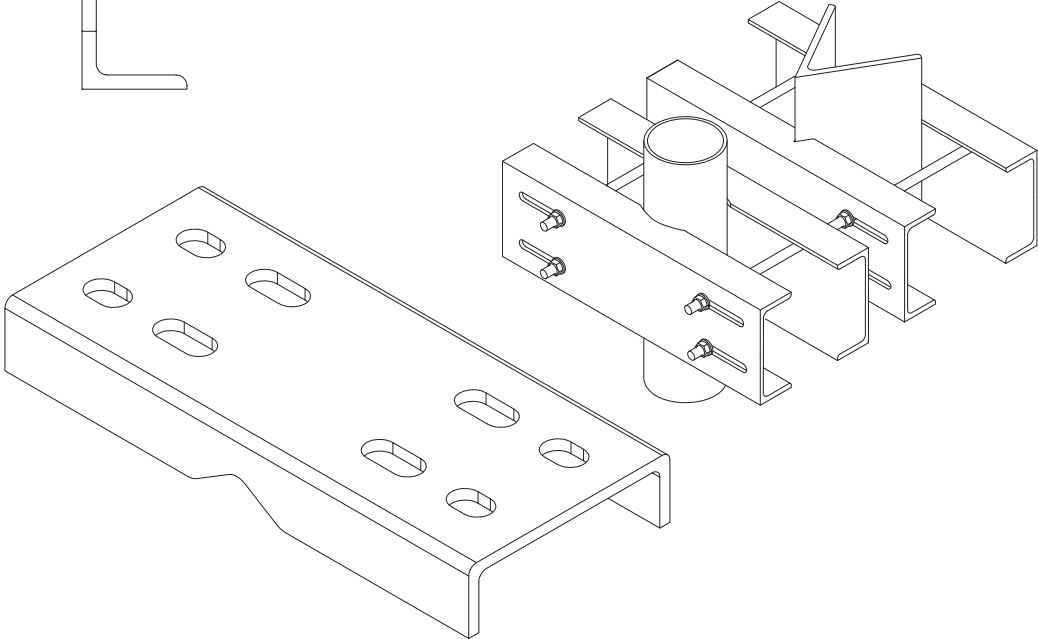
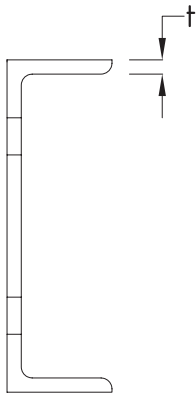
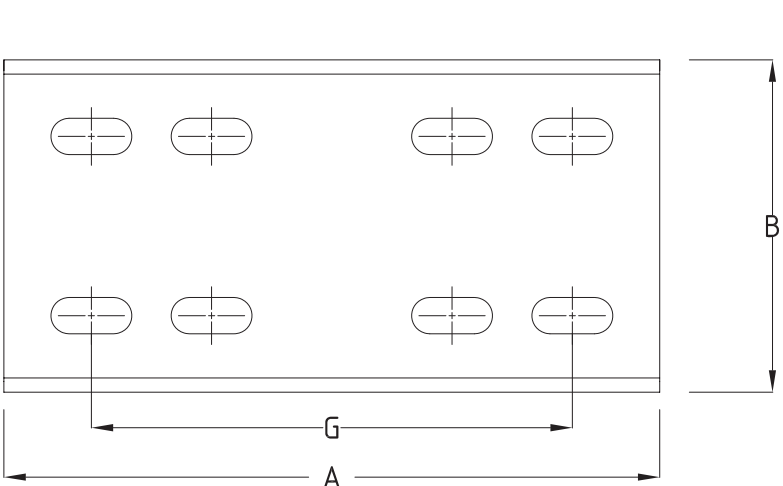
**gord Telecom** **GORD Telecom Towers**  
 129 Delta Park Blvd., Brampton  
 Ontario L6T 5M8, Canada  
 Tel. 905-791-5800, Fax. 905-791-3325  
[www.gordtelecom.com](http://www.gordtelecom.com)

TITLE :			
UNIVERSAL CLAMP			
DRAWN BY	S.S.	SCALE:	REV DATE: 2014
CHK'D BY	S.S.	DWG. No.	REV.
MANUF,APR	S.S.	UC-GENERIC & COST	
SALES,APR	J.S.		00

### Universal Clamp - Double (UCD)

These large channel clamps can be used to attach to almost any item. Using threaded rods, they can clamp onto a tower leg or pipe and can be attached to either MW Mounts or Cross-Over plates.

Each set comes with four channel clamps and four threaded rods.



- NOTES :
- 1- MATERIAL: MIN. 300 MPa PER CAN/CSA-G40.21-92.
  - 2- ALL MEMBERS ARE HOT DIP GALVANIZED AFTER FABRICATION PER CAN/CSA G164-92.
  - 3- BOLTS ARE A-325 OR G-5 AS SPECIFIED.
  - 4- U-BOLTS ARE C-1018, MIN. 66KSI TENSILE STRENGTH, G-5 IS AVAILABLE.
  - 5- H.D. GALVANIZED THREADED RODS ARE B7, MIN. 120 KSI.
  - 6- STAINLESS BOLT/THREADED ROD PER ASTM-A193,TENSILE STR. MIN75 KSI.

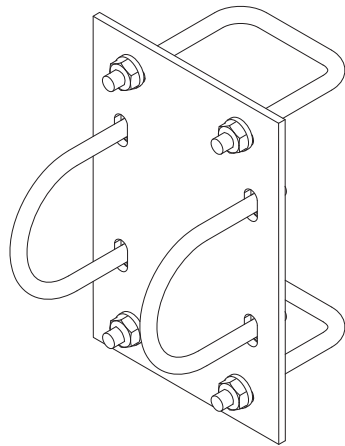
UNIVERSAL CLAMP	A (mm)	B (mm)	C (mm)	G (mm)	t (mm)	Threaded Rod
UCD200-300-10-18	300	203	57	230	10	457mm (18")
UCD200-300-10-24	300	203	57	230	10	610mm (24")
UCD250-300-11-18	300	254	65	230	11	457mm (18")
UCD250-300-11-24	300	254	65	230	11	610mm (24")

**gord** Telecom  
**GORD Telecom Towers**  
 129 Delta Park Blvd., Brampton  
 Ontario L6T 5M8, Canada  
 Tel. 905-791-5800, Fax. 905-791-3325  
[www.gordtelecom.com](http://www.gordtelecom.com)

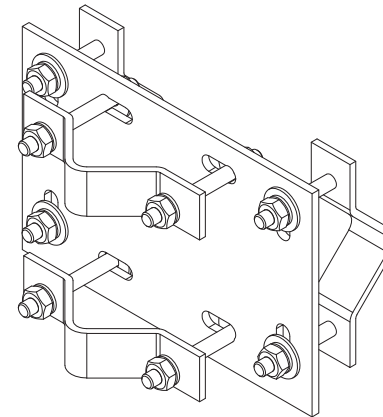
TITLE :			
UNIVERSAL CLAMP - DOUBLE			
DRAWN BY	S.S.	SCALE:	REV DATE: 2016
CHK'D BY	S.S.	DWG. No.	REV.
MANUF,APR	S.S.	UCD - Generic & Cost	
SALES,APR	J.S.	00	

# Cross-Over Plate Assemblies

## Tower Accessory



SBAL



UC57-260

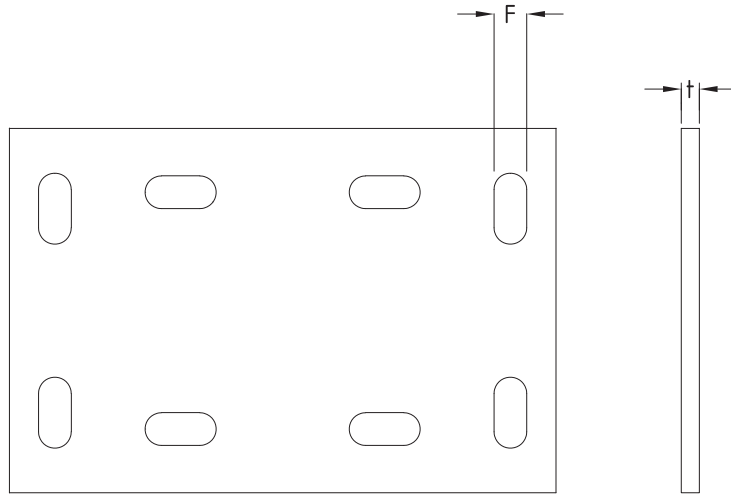
### Fixed Cross-Over Plate (F-COP)

These fixed cross-over plates are designed to connect two square or round HSS pipes. They can also be used to mount a pipe to a boom arm. The holes are all oblong so that each plate can secure a variety of different pipes. The plates come in several different sizes, thickness and can accommodate either 13mm (1/2") or 16mm (5/8") U-Bolts.

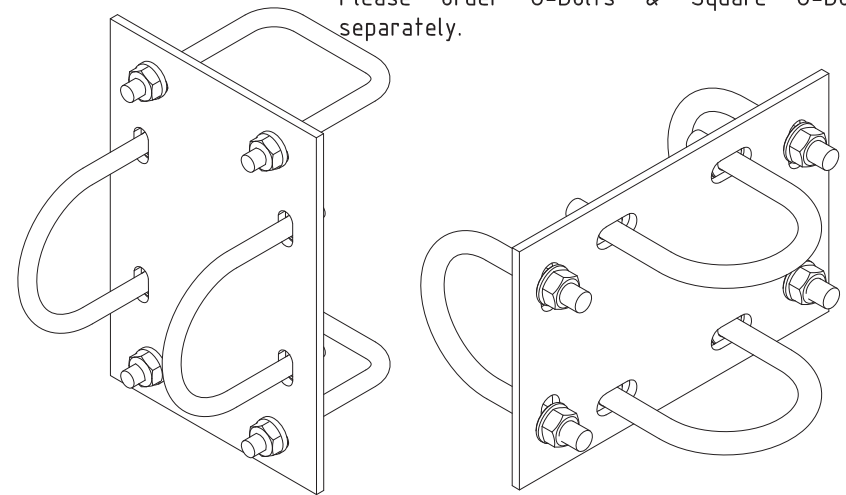
Fits 61mm (2 3/8") to 102 (4") pipe on one face & 73mm (2 7/8") to 114mm (4 1/2") on the other.

Square U-Bolts only available in 16mm (5/8").

Please order U-Bolts & Square U-Bolts separately.



CROSS-OVER PLATE (COP)

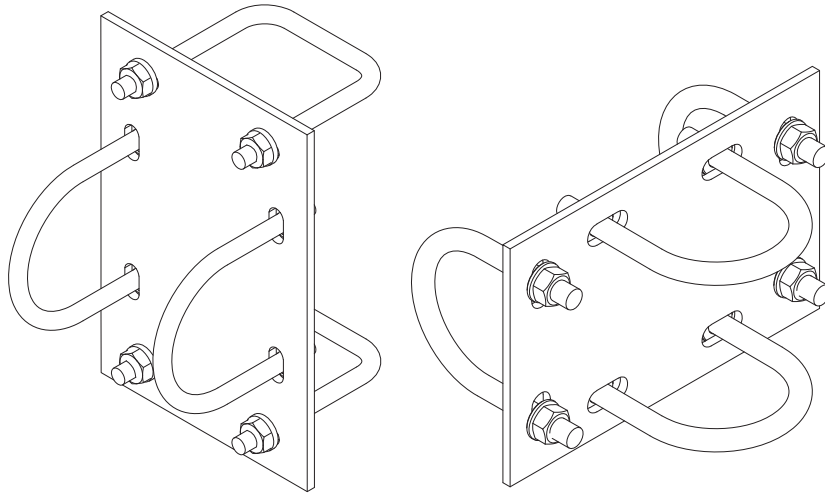


- NOTES:
- 1- MATERIAL: MIN. 300 MPa PER CAN/CSA-G40.21-92.
  - 2- ALL MEMBERS ARE HOT DIP GALVANIZED AFTER FABRICATION PER CAN/CSA G164-92.
  - 3- BOLTS ARE A-325 OR Gr.5 AS SPECIFIED.
  - 4- U-BOLTS ARE C-1018, MIN. 66KSI TENSILE STRENGTH, Gr.5 IS AVAILABLE.
  - 5- H.D. GALVANIZED THREADED RODS ARE B7, MIN. 120 KSI.
  - 6- STAINLESS BOLT/THREADED ROD PER ASTM-A193, TENSILE STR. MIN75 KSI.

PART NAME	F(mm)	t (mm)
F-COP-01	13 (1/2")	6.4
F-COP-02	13 (1/2")	9.5
F-COP-03	16 (5/8")	9.5
F-COP-04	16 (5/8")	13
F-COP-05	13 (1/2")	6.4

		<b>GORD Telecom Towers</b> 129 Delta Park Blvd., Brampton Ontario L6T 5M8, Canada Tel. 905-791-5800, Fax. 905-791-3325 <a href="http://www.gordtelecom.com">www.gordtelecom.com</a>	
TITLE :			
Fixed Cross-Over Plate			
DRAWN BY	S.S.	SCALE:	REV DATE: 2014
CHK'D BY	S.S.	DWG. No.	REV.
MANUF, APR	S.S.	Fixed Cross-Over Plate-GEN	
SALES, APR	J.S.		00



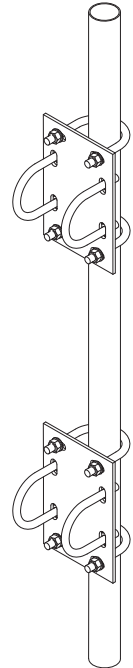


### Fixed Cross-Over Plate (F-COP) Assembly

These fixed cross-over plates are designed to connect two round pipes. They can also be used to mount a pipe to a boom arm.

Fits a 60mm (2 3/8") pipe on one face & 73mm (2 7/8") to 114mm (4 1/2") on the other.

The mounts are sold as a complete assembly, they come with (1) Pipe, (2) Plates and all necessary u-bolts for mounting.



- NOTES:
- 1- MATERIAL: MIN. 300 MPa PER CAN/CSA-G40.21-92.
  - 2- ALL MEMBERS ARE HOT DIP GALVANIZED AFTER FABRICATION PER CAN/CSA G164-92.
  - 3- BOLTS ARE A-325 OR Gr5 AS SPECIFIED.
  - 4- U-BOLTS ARE C-1018, MIN. 66KSI TENSILE STRENGTH, Gr5 IS AVAILABLE.
  - 5- H.D. GALVANIZED THREADED RODS ARE B7, MIN. 120 KSI.
  - 6- STAINLESS BOLT/THREADED ROD PER ASTM-A193,TENSILE STR. MIN75 KSI.

**gord** Telecom Towers  
 129 Delta Park Blvd., Brampton  
 Ontario L6T 5M8, Canada  
 Tel. 905-791-5800, Fax. 905-791-3325  
[www.gordtelecom.com](http://www.gordtelecom.com)

TITLE :			
Fixed Cross-Over Plate Assembly 60mm Vertical Pipe			
DRAWN BY	S.S.	SCALE:	REV DATE: 2016
CHK'D BY	S.S.	DWG. No.	REV.
MANUF,APR	S.S.	Fixed Cross-Over Assembly 60	00
SALES,APR	J.S.		

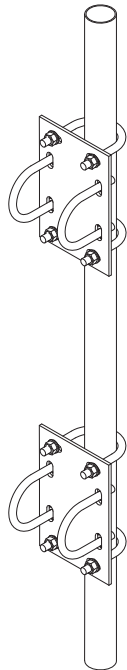
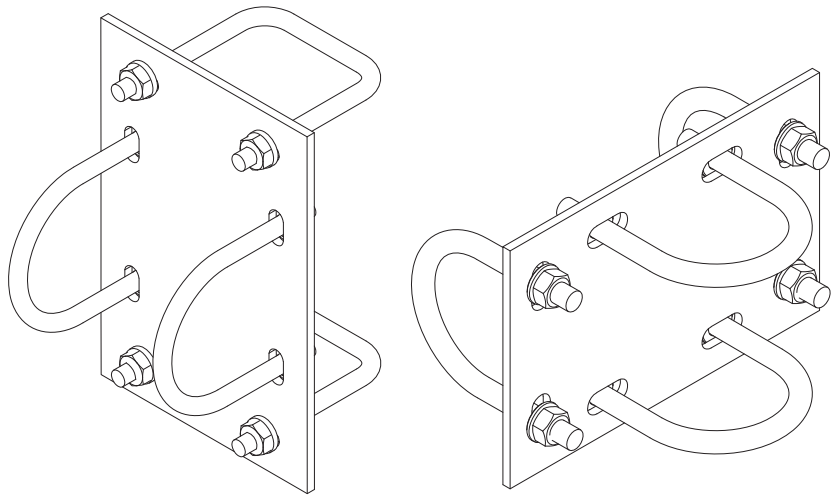
PART NAME	VERTICAL PIPE	EXISTING HORIZONTAL PIPE	CROSS-OVER PLATE	U-BOLT SIZE
F-COP-02-647	60mm x 4' Pipe	73mm Pipe	PL270x200x10	13mm
F-COP-02-667	60mm x 6' Pipe	73mm Pipe	PL270x200x10	13mm
F-COP-02-687	60mm x 8' Pipe	73mm Pipe	PL270x200x10	13mm
F-COP-02-6107	60mm x 10' Pipe	73mm Pipe	PL270x200x10	13mm
F-COP-02-6127	60mm x 12' Pipe	73mm Pipe	PL270x200x10	13mm
F-COP-02-648	60mm x 4' Pipe	89mm Pipe	PL270x200x10	13mm
F-COP-02-668	60mm x 6' Pipe	89mm Pipe	PL270x200x10	13mm
F-COP-02-688	60mm x 8' Pipe	89mm Pipe	PL270x200x10	13mm
F-COP-02-6108	60mm x 10' Pipe	89mm Pipe	PL270x200x10	13mm
F-COP-02-6128	60mm x 12' Pipe	89mm Pipe	PL270x200x10	13mm
F-COP-02-6410	60mm x 4' Pipe	102mm Pipe	PL270x200x10	13mm
F-COP-02-6610	60mm x 6' Pipe	102mm Pipe	PL270x200x10	13mm
F-COP-02-6810	60mm x 8' Pipe	102mm Pipe	PL270x200x10	13mm
F-COP-02-61010	60mm x 10' Pipe	102mm Pipe	PL270x200x10	13mm
F-COP-02-61210	60mm x 12' Pipe	102mm Pipe	PL270x200x10	13mm
F-COP-02-6411	60mm x 4' Pipe	114mm Pipe	PL270x200x10	13mm
F-COP-02-6611	60mm x 6' Pipe	114mm Pipe	PL270x200x10	13mm
F-COP-02-6811	60mm x 8' Pipe	114mm Pipe	PL270x200x10	13mm
F-COP-02-61011	60mm x 10' Pipe	114mm Pipe	PL270x200x10	13mm
F-COP-02-61211	60mm x 12' Pipe	114mm Pipe	PL270x200x10	13mm

**Fixed Cross-Over Plate (F-COP) Assembly**

These fixed cross-over plates are designed to connect two round pipes. They can also be used to mount a pipe to a boom arm.

Fits a 73mm (2 7/8") pipe on one face & 73mm (2 7/8") to 114mm (4 1/2") on the other.

The mounts are sold as a complete assembly, they come with (1) Pipe, (2) Plates and all necessary u-bolts for mounting.



PART NAME	VERTICAL PIPE	EXISTING HORIZONTAL PIPE	CROSS-OVER PLATE	U-BOLT SIZE
F-COP-02-747	73mm x 4' Pipe	73mm Pipe	PL270x200x10	13mm
F-COP-02-767	73mm x 6' Pipe	73mm Pipe	PL270x200x10	13mm
F-COP-02-787	73mm x 8' Pipe	73mm Pipe	PL270x200x10	13mm
F-COP-02-7107	73mm x 10' Pipe	73mm Pipe	PL270x200x10	13mm
F-COP-02-7127	73mm x 12' Pipe	73mm Pipe	PL270x200x10	13mm
F-COP-02-748	73mm x 4' Pipe	89mm Pipe	PL270x200x10	13mm
F-COP-02-768	73mm x 6' Pipe	89mm Pipe	PL270x200x10	13mm
F-COP-02-788	73mm x 8' Pipe	89mm Pipe	PL270x200x10	13mm
F-COP-02-7108	73mm x 10' Pipe	89mm Pipe	PL270x200x10	13mm
F-COP-02-7128	73mm x 12' Pipe	89mm Pipe	PL270x200x10	13mm
F-COP-02-7410	73mm x 4' Pipe	102mm Pipe	PL270x200x10	13mm
F-COP-02-7610	73mm x 6' Pipe	102mm Pipe	PL270x200x10	13mm
F-COP-02-7810	73mm x 8' Pipe	102mm Pipe	PL270x200x10	13mm
F-COP-02-71010	73mm x 10' Pipe	102mm Pipe	PL270x200x10	13mm
F-COP-02-71210	73mm x 12' Pipe	102mm Pipe	PL270x200x10	13mm
F-COP-02-7411	73mm x 4' Pipe	114mm Pipe	PL270x200x10	13mm
F-COP-02-7611	73mm x 6' Pipe	114mm Pipe	PL270x200x10	13mm
F-COP-02-7811	73mm x 8' Pipe	114mm Pipe	PL270x200x10	13mm
F-COP-02-71011	73mm x 10' Pipe	114mm Pipe	PL270x200x10	13mm
F-COP-02-71211	73mm x 12' Pipe	114mm Pipe	PL270x200x10	13mm

- NOTES:
- 1- MATERIAL: MIN. 300 MPa PER CAN/CSA-G40.21-92.
  - 2- ALL MEMBERS ARE HOT DIP GALVANIZED AFTER FABRICATION PER CAN/CSA G164-92.
  - 3- BOLTS ARE A-325 OR Gr5 AS SPECIFIED.
  - 4- U-BOLTS ARE C-1018, MIN. 66KSI TENSILE STRENGTH, Gr5 IS AVAILABLE.
  - 5- H.D. GALVANIZED THREADED RODS ARE B7, MIN. 120 KSI.
  - 6- STAINLESS BOLT/THREADED ROD PER ASTM-A193,TENSILE STR. MIN75 KSI.

**gord Telecom** **GORD Telecom Towers**  
 129 Delta Park Blvd., Brampton  
 Ontario L6T 5M8, Canada  
 Tel. 905-791-5800, Fax. 905-791-3325  
[www.gordtelecom.com](http://www.gordtelecom.com)

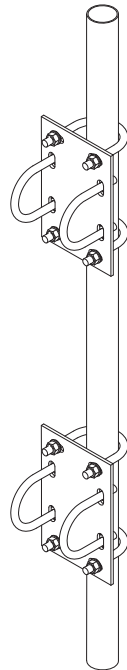
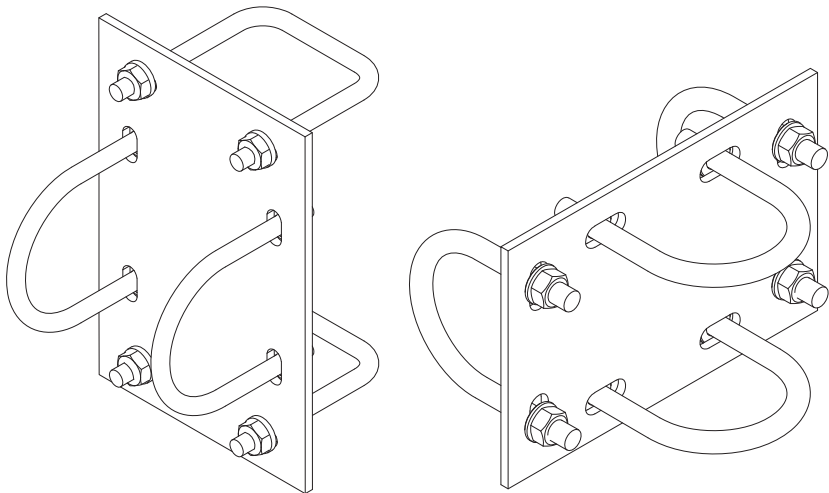
TITLE :			
Fixed Cross-Over Plate Assembly 73mm Vertical Pipe			
DRAWN BY	S.S.	SCALE:	REV DATE: 2016
CHK'D BY	S.S.	DWG. No.	REV.
MANUF,APR	S.S.	Fixed Cross-Over Assembly	73 00
SALES,APR	J.S.		

**Fixed Cross-Over Plate (F-COP) Assembly**

These fixed cross-over plates are designed to connect two round pipes. They can also be used to mount a pipe to a boom arm.

Fits a 89mm (3 1/2") pipe on one face & 73mm (2 7/8") to 114mm (4 1/2") on the other.

The mounts are sold as a complete assembly, they come with (1) Pipe, (2) Plates and all necessary u-bolts for mounting.



PART NAME	VERTICAL PIPE	EXISTING HORIZONTAL PIPE	CROSS-OVER PLATE	U-BOLT SIZE
F-COP-02-847	89mm x 4' Pipe	73mm Pipe	PL270x200x10	13mm
F-COP-02-867	89mm x 6' Pipe	73mm Pipe	PL270x200x10	13mm
F-COP-02-887	89mm x 8' Pipe	73mm Pipe	PL270x200x10	13mm
F-COP-02-8107	89mm x 10' Pipe	73mm Pipe	PL270x200x10	13mm
F-COP-02-8127	89mm x 12' Pipe	73mm Pipe	PL270x200x10	13mm
F-COP-02-848	89mm x 4' Pipe	89mm Pipe	PL270x200x10	13mm
F-COP-02-868	89mm x 6' Pipe	89mm Pipe	PL270x200x10	13mm
F-COP-02-888	89mm x 8' Pipe	89mm Pipe	PL270x200x10	13mm
F-COP-02-8108	89mm x 10' Pipe	89mm Pipe	PL270x200x10	13mm
F-COP-02-8128	89mm x 12' Pipe	89mm Pipe	PL270x200x10	13mm
F-COP-02-8410	89mm x 4' Pipe	102mm Pipe	PL270x200x10	13mm
F-COP-02-8610	89mm x 6' Pipe	102mm Pipe	PL270x200x10	13mm
F-COP-02-8810	89mm x 8' Pipe	102mm Pipe	PL270x200x10	13mm
F-COP-02-81010	89mm x 10' Pipe	102mm Pipe	PL270x200x10	13mm
F-COP-02-81210	89mm x 12' Pipe	102mm Pipe	PL270x200x10	13mm
F-COP-02-8411	89mm x 4' Pipe	114mm Pipe	PL270x200x10	13mm
F-COP-02-8611	89mm x 6' Pipe	114mm Pipe	PL270x200x10	13mm
F-COP-02-8811	89mm x 8' Pipe	114mm Pipe	PL270x200x10	13mm
F-COP-02-81011	89mm x 10' Pipe	114mm Pipe	PL270x200x10	13mm
F-COP-02-81211	89mm x 12' Pipe	114mm Pipe	PL270x200x10	13mm

- NOTES:
- 1- MATERIAL: MIN. 300 MPa PER CAN/CSA-G40.21-92.
  - 2- ALL MEMBERS ARE HOT DIP GALVANIZED AFTER FABRICATION PER CAN/CSA G164-92.
  - 3- BOLTS ARE A-325 OR Gr5 AS SPECIFIED.
  - 4- U-BOLTS ARE C-1018, MIN. 66KSI TENSILE STRENGTH, Gr5 IS AVAILABLE.
  - 5- H.D. GALVANIZED THREADED RODS ARE B7, MIN. 120 KSI.
  - 6- STAINLESS BOLT/THREADED ROD PER ASTM-A193,TENSILE STR. MIN75 KSI.

**gord Telecom** **GORD Telecom Towers**  
 129 Delta Park Blvd., Brampton  
 Ontario L6T 5M8, Canada  
 Tel. 905-791-5800, Fax. 905-791-3325  
[www.gordtelecom.com](http://www.gordtelecom.com)

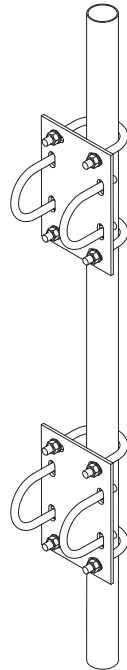
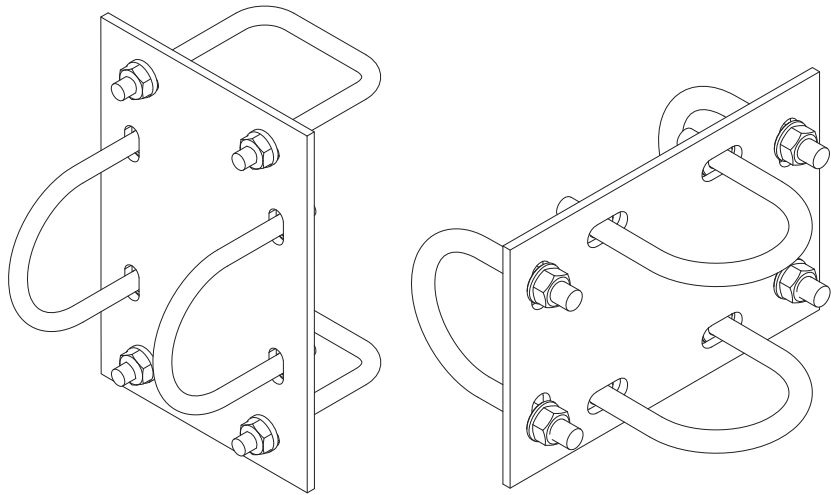
TITLE :			
Fixed Cross-Over Plate Assembly 89mm Vertical Pipe			
DRAWN BY S.S.	SCALE:	REV DATE: 2016	
CHK'D BY S.S.	DWG. No.		REV.
MANUF,APR S.S.	Fixed Cross-Over Assembly 89		00
SALES,APR J.S.			

**Fixed Cross-Over Plate (F-COP) Assembly**

These fixed cross-over plates are designed to connect two round pipes. They can also be used to mount a pipe to a boom arm.

Fits a 102mm (4") pipe on one face & 73mm (2 7/8") to 114mm (4 1/2") on the other.

The mounts are sold as a complete assembly, they come with (1) Pipe, (2) Plates and all necessary u-bolts for mounting.

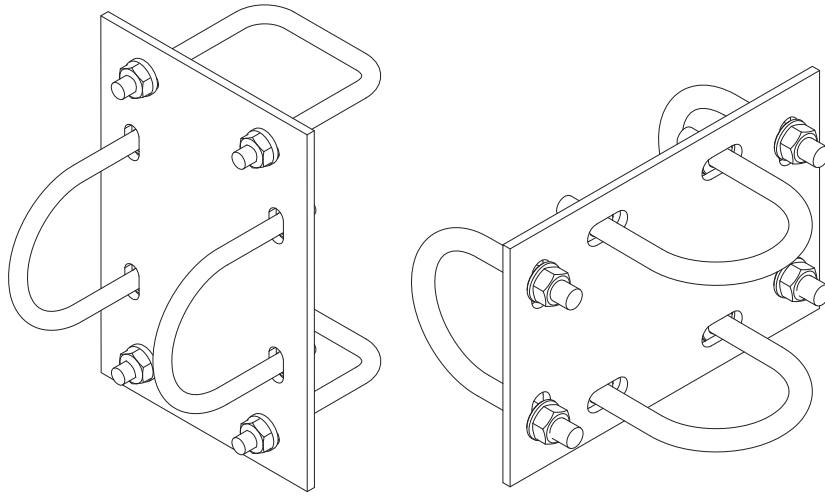


PART NAME	VERTICAL PIPE	EXISTING HORIZONTAL PIPE	CROSS-OVER PLATE	U-BOLT SIZE
F-COP-02-1047	102mm x 4' Pipe	73mm Pipe	PL270x200x10	13mm
F-COP-02-1067	102mm x 6' Pipe	73mm Pipe	PL270x200x10	13mm
F-COP-02-1087	102mm x 8' Pipe	73mm Pipe	PL270x200x10	13mm
F-COP-02-10107	102mm x 10' Pipe	73mm Pipe	PL270x200x10	13mm
F-COP-02-10127	102mm x 12' Pipe	73mm Pipe	PL270x200x10	13mm
F-COP-02-1048	102mm x 4' Pipe	89mm Pipe	PL270x200x10	13mm
F-COP-02-1068	102mm x 6' Pipe	89mm Pipe	PL270x200x10	13mm
F-COP-02-1088	102mm x 8' Pipe	89mm Pipe	PL270x200x10	13mm
F-COP-02-10108	102mm x 10' Pipe	89mm Pipe	PL270x200x10	13mm
F-COP-02-10128	102mm x 12' Pipe	89mm Pipe	PL270x200x10	13mm
F-COP-02-10410	102mm x 4' Pipe	102mm Pipe	PL270x200x10	13mm
F-COP-02-10610	102mm x 6' Pipe	102mm Pipe	PL270x200x10	13mm
F-COP-02-10810	102mm x 8' Pipe	102mm Pipe	PL270x200x10	13mm
F-COP-02-101010	102mm x 10' Pipe	102mm Pipe	PL270x200x10	13mm
F-COP-02-101210	102mm x 12' Pipe	102mm Pipe	PL270x200x10	13mm
F-COP-02-10411	102mm x 4' Pipe	114mm Pipe	PL270x200x10	13mm
F-COP-02-10611	102mm x 6' Pipe	114mm Pipe	PL270x200x10	13mm
F-COP-02-10811	102mm x 8' Pipe	114mm Pipe	PL270x200x10	13mm
F-COP-02-101011	102mm x 10' Pipe	114mm Pipe	PL270x200x10	13mm
F-COP-02-101211	102mm x 12' Pipe	114mm Pipe	PL270x200x10	13mm

- NOTES:
- 1- MATERIAL: MIN. 300 MPa PER CAN/CSA-G40.21-92
  - 2- ALL MEMBERS ARE HOT DIP GALVANIZED AFTER FABRICATION PER CAN/CSA G164-92
  - 3- BOLTS ARE A-325 OR Gr.5 AS SPECIFIED.
  - 4- U-BOLTS ARE C-1018, MIN. 66KSI TENSILE STRENGTH; Gr.5 IS AVAILABLE.
  - 5- H.D. GALVANIZED THREADED RODS ARE B7, MIN. 120 KSI.
  - 6- STAINLESS BOLT/THREADED ROD PER ASTM-A193,TENSILE STR. MIN75 KSI.

**gord Telecom** **GORD Telecom Towers**  
 129 Delta Park Blvd., Brampton  
 Ontario L6T 5M8, Canada  
 Tel. 905-791-5800, Fax. 905-791-3325  
[www.gordtelecom.com](http://www.gordtelecom.com)

TITLE :			
Fixed Cross-Over Plate Assembly 102mm Vertical Pipe			
DRAWN BY	S.S.	SCALE:	REV DATE: 2016
CHK'D BY	S.S.	DWG. No.	REV
MANUF. APR	S.S.	Fixed Cross-Over Assembly 102	00
SALES. APR	J.S.		

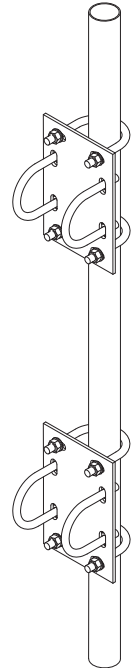


### Fixed Cross-Over Plate (F-COP) Assembly

These fixed cross-over plates are designed to connect two round pipes. They can also be used to mount a pipe to a boom arm.

Fits a 114mm (4 1/2") pipe on one face & 73mm (2 7/8") to 102mm (4") on the other.

The mounts are sold as a complete assembly, they come with (1) Pipe, (2) Plates and all necessary u-bolts for mounting.



- NOTES:
- 1- MATERIAL: MIN. 300 MPa PER CAN/CSA-G40.21-92.
  - 2- ALL MEMBERS ARE HOT DIP GALVANIZED AFTER FABRICATION PER CAN/CSA G164-92.
  - 3- BOLTS ARE A-325 OR Gr5 AS SPECIFIED.
  - 4- U-BOLTS ARE C-1018, MIN. 66KSI TENSILE STRENGTH, Gr5 IS AVAILABLE.
  - 5- H.D. GALVANIZED THREADED RODS ARE B7, MIN. 120 KSI.
  - 6- STAINLESS BOLT/THREADED ROD PER ASTM-A193, TENSILE STR. MIN75 KSI.

**gord** Telecom Towers  
 129 Delta Park Blvd., Brampton  
 Ontario L6T 5M8, Canada  
 Tel. 905-791-5800, Fax. 905-791-3325  
[www.gordtelecom.com](http://www.gordtelecom.com)

TITLE :			
Fixed Cross-Over Plate Assembly 114mm Vertical Pipe			
DRAWN BY	S.S.	SCALE:	REV DATE: 2016
CHK'D BY	S.S.	DWG. No.	REV.
MANUF, APR	S.S.	Fixed Cross-Over Assembly	114
SALES, APR	J.S.		00

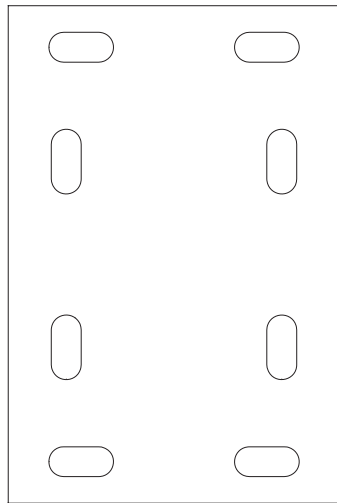
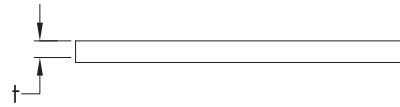
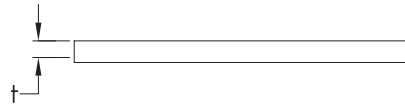
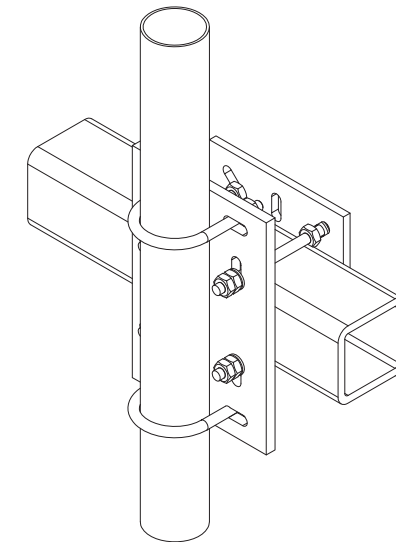
PART NAME	VERTICAL PIPE	EXISTING HORIZONTAL PIPE	CROSS-OVER PLATE	U-BOLT SIZE
F-COP-02-147	114mm x 4' Pipe	73mm Pipe	PL270x200x10	13mm
F-COP-02-167	114mm x 6' Pipe	73mm Pipe	PL270x200x10	13mm
F-COP-02-187	114mm x 8' Pipe	73mm Pipe	PL270x200x10	13mm
F-COP-02-1107	114mm x 10' Pipe	73mm Pipe	PL270x200x10	13mm
F-COP-02-1127	114mm x 12' Pipe	73mm Pipe	PL270x200x10	13mm
F-COP-02-148	114mm x 4' Pipe	89mm Pipe	PL270x200x10	13mm
F-COP-02-168	114mm x 6' Pipe	89mm Pipe	PL270x200x10	13mm
F-COP-02-188	114mm x 8' Pipe	89mm Pipe	PL270x200x10	13mm
F-COP-02-1108	114mm x 10' Pipe	89mm Pipe	PL270x200x10	13mm
F-COP-02-1128	114mm x 12' Pipe	89mm Pipe	PL270x200x10	13mm
F-COP-02-1410	114mm x 4' Pipe	102mm Pipe	PL270x200x10	13mm
F-COP-02-1610	114mm x 6' Pipe	102mm Pipe	PL270x200x10	13mm
F-COP-02-1810	114mm x 8' Pipe	102mm Pipe	PL270x200x10	13mm
F-COP-02-11010	114mm x 10' Pipe	102mm Pipe	PL270x200x10	13mm
F-COP-02-11210	114mm x 12' Pipe	102mm Pipe	PL270x200x10	13mm

### Cross-Over Plate Assemblies

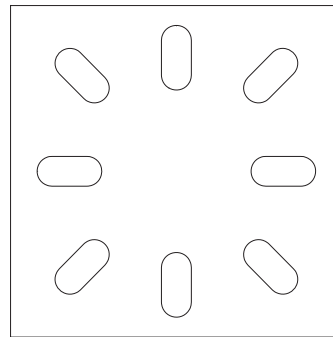
Our Cross-Over Plate assemblies are a perfect way to connect a pipe to an existing tower brace or pinwheel arm. The assemblies use threaded rods and therefore can be adjusted to any length.

The Front Plate (COP) can fit 61mm (2 3/8") pipe up to 102mm (4") pipes due to the oblong holes. The Back Plate (BKP) can accomate any size boom arm up to 102mm (4").

Set prices include Threaded Rods, Please order U-Bolt seperately.



CROSS-OVER PLATE (COP)



BACKER PLATE (BKP)

- NOTES:
- 1- MATERIAL: MIN. 300 MPa PER CAN/CSA-G40.21-92
  - 2- ALL MEMBERS ARE HOT DIP GALVANIZED AFTER FABRICATION PER CAN/CSA G164-92
  - 3- BOLTS ARE A-325 OR Gr5 AS SPECIFIED
  - 4- U-BOLTS ARE C-1018, MIN. 66KSI TENSILE STRENGTH; Gr5 IS AVAILABLE.
  - 5- H.D. GALVANIZED THREADED RODS ARE B7, MIN. 120 KSI.
  - 6- STAINLESS BOLT/THREADED ROD PER ASTM-A193, TENSILE STR. MIN75 KSI.

**gord** Telecom Towers  
 129 Delta Park Blvd., Brampton  
 Ontario L6T 5M8, Canada  
 Tel. 905-791-5800, Fax. 905-791-3325  
[www.gordtelecom.com](http://www.gordtelecom.com)

TITLE :  
 CROSS-OVER & BACKER PLATE ASSEMBLY

DRAWN BY	S.S.	SCALE:	REV DATE:	2014
CHK'D BY	S.S.	DWG. No.		REV.
MANUF. APR	S.S.	PLATES-GENERIC & COST		
SALES. APR	J.S.			00

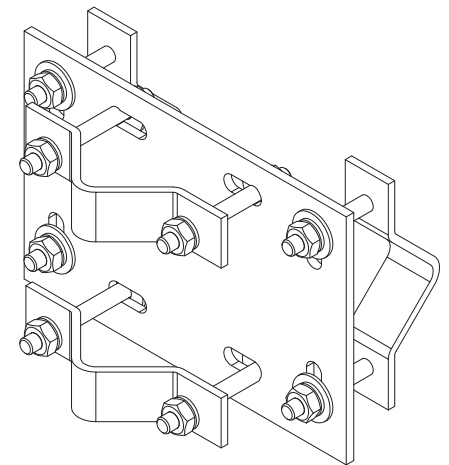
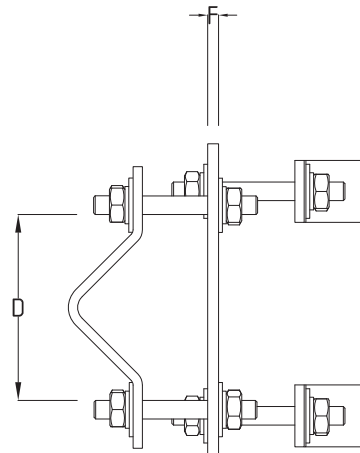
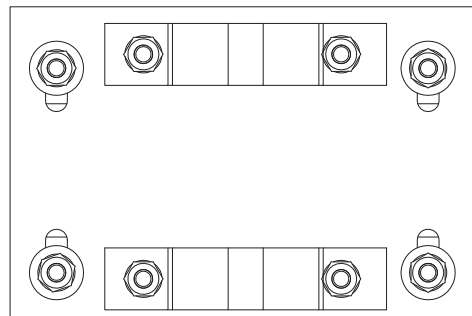
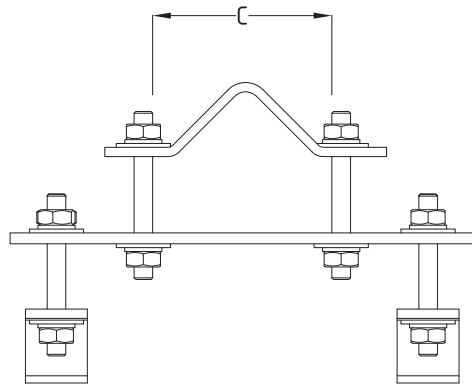
PART NUMBER	PART DESCRIPTION	t (mm)	HOLE SIZE (mm)
CLAMP-0613	FRONT PLATE COP-01	6	13mm (1/2")
	BACK PLATE BKP-01	6	13mm (1/2")
CLAMP-1013	FRONT PLATE COP-02	10	13mm (1/2")
	BACK PLATE BKP-02	10	13mm (1/2")
CLAMP-1016	FRONT PLATE COP-03	10	16mm (5/8")
	BACK PLATE BKP-03	10	16mm (5/8")
CLAMP-1316	FRONT PLATE COP-03	13	16mm (5/8")
	BACK PLATE BKP-03	13	16mm (5/8")

### Adjustable Cross-Over Plate (A-COP)

These adjustable cross-over plates are designed to connect two square or round HSS pipes or can be used to connect to tower legs. They can also be used to mount a pipe to a boom arm. The holes are all oblong so that each plate can secure a variety of different pipes. The saddle clamps allow for a variety of pipe and leg sizes.

Fits 73mm - 114mm on one side, an 60mm - 102mm Pipe on the other side

Order comes with (8) 8" long Threaded Rods



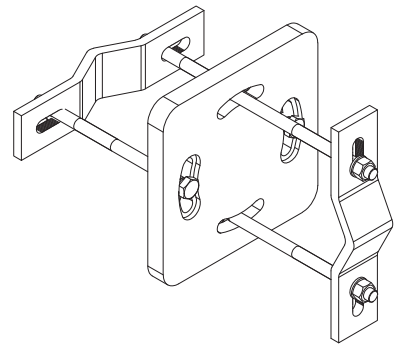
- NOTES:
- 1- MATERIAL: MIN. 300 MPa PER CAN/CSA-G40.21-92
  - 2- ALL MEMBERS ARE HOT DIP GALVANIZED AFTER FABRICATION PER CAN/CSA G164-92
  - 3- BOLTS ARE A-325 OR Gr5 AS SPECIFIED
  - 4- U-BOLTS ARE C-1018, MIN. 66KSI TENSILE STRENGTH; Gr5 IS AVAILABLE
  - 5- H.D. GALVANIZED THREADED RODS ARE B7, MIN. 120 KSI
  - 6- STAINLESS BOLT/THREADED ROD PER ASTM-A193, TENSILE STR. MIN75 KSI

**gord** Telecom  
**GORD Telecom Towers**  
 129 Delta Park Blvd., Brampton  
 Ontario L6T 5M8, Canada  
 Tel. 905-791-5800, Fax. 905-791-3325  
[www.gordtelecom.com](http://www.gordtelecom.com)

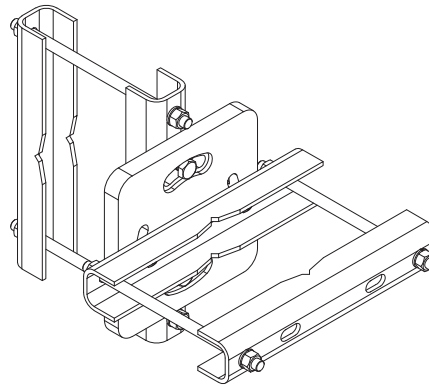
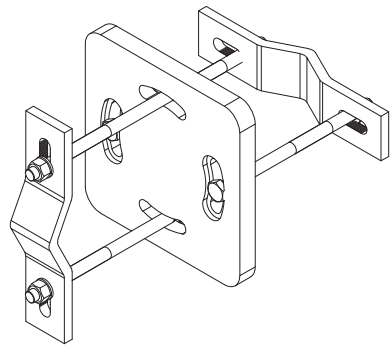
TITLE :			
Adjustable Cross-Over Assembly			
DRAWN BY	S.S.	SCALE:	REV DATE: 2016
CHK'D BY	S.S.	DWG. No.	REV
MANUF, APR	S.S.	Adjustable Cross-Over Plate- Generic & Cost	
SALES, APR	J.S.		00

PART NAME	C (mm)	D (mm)	F(mm)	PRICE
A-COP-01	114mm Pipe (max)	102mm Pipe (max)	6.4mm	\$115
A-COP-02	114mm Pipe (max)	102mm Pipe (max)	9.5mm	\$130

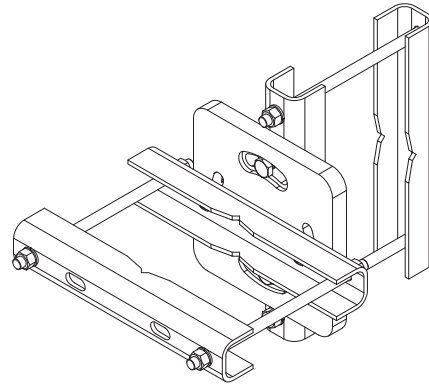




U-COP-L



U-COP-H



### Universal Cross-Over Plate (U-COP)

Universal Cross-Over Plate assemblies are perfect for when you are not sure of the existing pipe sizes. A single kit is able to fit a range of different pipes. They are to be installed instead of traditional cross-over plate assemblies.

Each set is sold in a package of 1 row. Please order 2-3 sets for most applications.

Hardware and Threaded Rods are included.

Please order Pipes separately.

- NOTES :
- 1- MATERIAL: MIN. 300 MPa PER CAN/CSA-G4-0.21-92.
  - 2- ALL MEMBERS ARE HOT DIP GALVANIZED AFTER FABRICATION PER CAN/CSA G164-92.
  - 3- BOLTS ARE A-325 OR Gr 5 AS SPECIFIED.
  - 4- U-BOLTS ARE C-1018, MIN. 66KSI TENSILE STRENGTH, Gr 5 IS AVAILABLE.
  - 5- H.D. GALVANIZED THREADED RODS ARE B7, MIN. 120 KSI.
  - 6- STAINLESS BOLT/THREADED ROD PER ASTM-A193,TENSILE STR. MIN75 KSI.

**gord** Telecom  
**GORD Telecom Towers**  
 129 Delta Park Blvd., Brampton  
 Ontario L6T 5M8, Canada  
 Tel. 905-791-5800, Fax. 905-791-3325  
[www.gordtelecom.com](http://www.gordtelecom.com)

TITLE :			
Universal Cross-Over Plate Assembly U-COP			
DRAWN BY	S.S	SCALE:	REV DATE: 2020
CHK'D BY	S.S.	DWG. No.	REV
MANUF,APR	S.S.	U-COP-GENERIC & COST	
SALES,APR	J.S.	00	

PART NUMBER	MAX. PIPE SIZE	PIPE SIZE RANGE
U-COP-L	HSS 114	HSS 60mm to HSS 114mm
U-COP-H	HSS 178	HSS 60mm to HSS 178mm



# Site Infrastructure

Miscellaneous

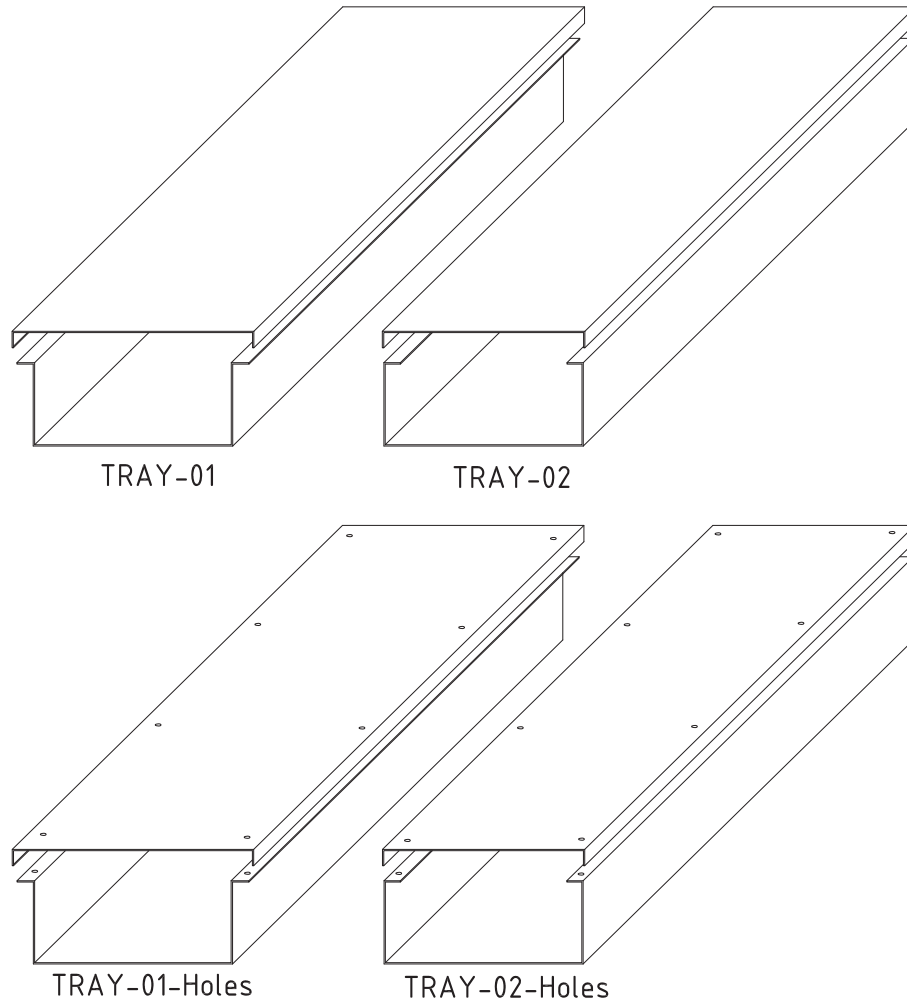
## Cable Tray

Sheet metal cable trays with lids are designed for cable storage for roof. They come galvanized, typically 18 gauge (other gauges are available). The standard length is 2.4m (8').

All cable trays have 25mm (1") lips for attachment of screws or bolts. TRAY-01 & TRAY-02 use self-tapping screws. TRAY-01-Holes & Tray-02-Holes use bolts.

Hardware to attach Tray to Lid included.


Custom Sizes Are Available!



- NOTES :
- 1- MATERIAL: MIN. 300 MPa PER CAN/CSA-G4-0.21-92.
  - 2- ALL MEMBERS ARE HOT DIP GALVANIZED AFTER FABRICATION PER CAN/CSA G164-92.
  - 3- BOLTS ARE A-325 OR Gr 5 AS SPECIFIED.
  - 4- U-BOLTS ARE C-1018, MIN. 66KSI TENSILE STRENGTH, Gr 5 IS AVAILABLE.
  - 5- H.D. GALVANIZED THREADED RODS ARE B7, MIN. 120 KSI.
  - 6- STAINLESS BOLT/THREADED ROD PER ASTM-A193, TENSILE STR. MIN75 KSI.

STANDARD PRICING BASED ON MINIMUM ORDER OF 10

PARTNUMBER	DESCRIPTION (WIDTH x DEPTH)	STANDARD LENGTH	THICKNESS
TRAY-01	305mm x 152mm	2.4m (8')	18ga
TRAY-02	305mm x 152mm	2.4m (8')	18ga
TRAY-01-Holes	305mm x 152mm	2.4m (8')	18ga
TRAY-02-Holes	305mm x 152mm	2.4m (8')	18ga

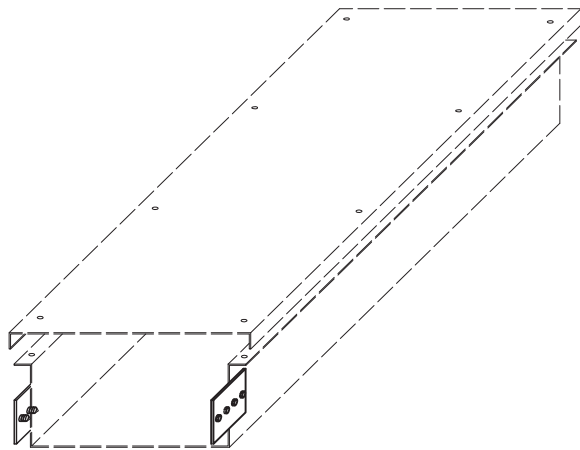
 <b>GORD Telecom Towers</b> 129 Delta Park Blvd., Brampton Ontario L6T 5M8, Canada Tel. 905-791-5800, Fax. 905-791-3325 <a href="http://www.gordtelecom.com">www.gordtelecom.com</a>		
TITLE :		
Cable Tray		
DRAWN BY S.S.	SCALE:	REV DATE: 2020
CHK'D BY S.S.	DWG. No.	REV
MANUF, APR S.S.	Cable Tray-GENERIC & COST	
SALES, APR J.S.	00	

## Cable Tray Accessories

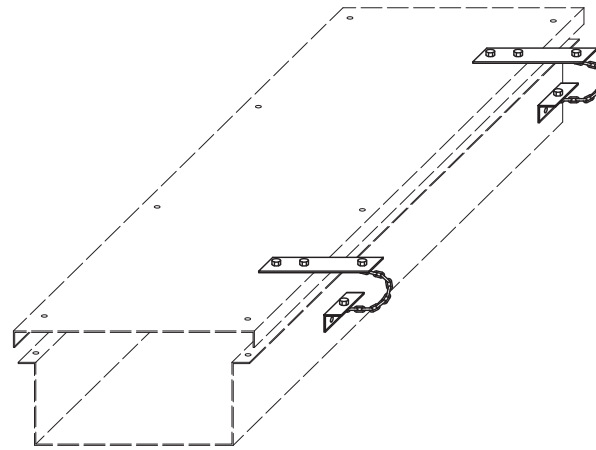
Accessories available for our cable trays.

The T-Connect is used to attach the cable trays in series. They are lightweight and can be bent to help fit around corners. Sold in sets of 2.

T-Chains attach the lid to the tray using 16" chains. This is especially helpful on windy days. Sold in sets of 2.



T-CONNECT



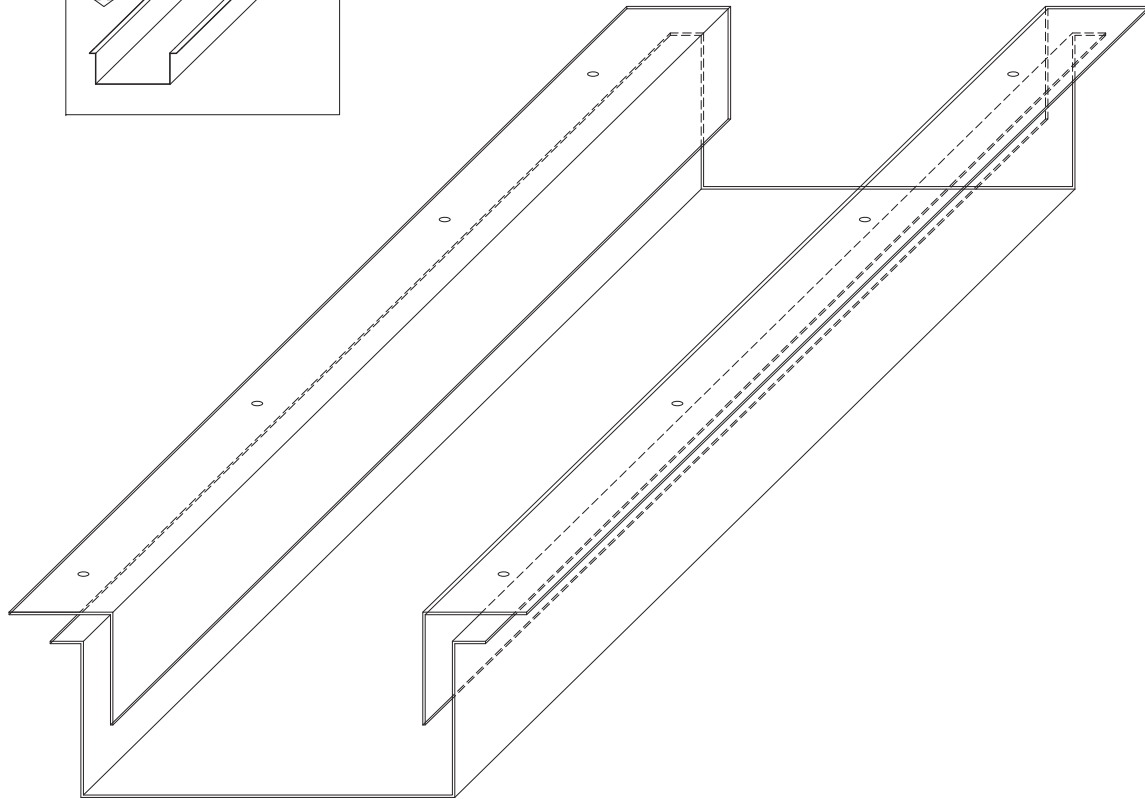
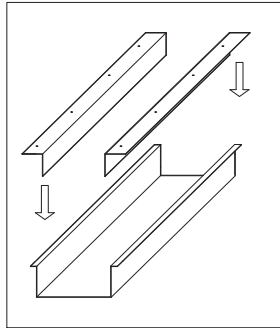
T-CHAIN

- NOTES :
- 1- MATERIAL: MIN. 300 MPa PER CAN/CSA-G4-0.21-92.
  - 2- ALL MEMBERS ARE HOT DIP GALVANIZED AFTER FABRICATION PER CAN/CSA G164-92.
  - 3- BOLTS ARE A-325 OR Gr 5 AS SPECIFIED.
  - 4- U-BOLTS ARE C-1018, MIN. 66KSI TENSILE STRENGTH, Gr 5 IS AVAILABLE.
  - 5- H.D. GALVANIZED THREADED RODS ARE B7, MIN. 120 KSI.
  - 6- STAINLESS BOLT/THREADED ROD PER ASTM-A193, TENSILE STR. MIN 75 KSI.

**gord** Telecom  
**GORD Telecom Towers**  
 129 Delta Park Blvd., Brampton  
 Ontario L6T 5M8, Canada  
 Tel. 905-791-5800, Fax. 905-791-3325  
[www.gordtelecom.com](http://www.gordtelecom.com)

TITLE :			
Cable Tray Accessories			
DRAWN BY	S.S.	SCALE:	REV DATE: 2020
CHK'D BY	S.S.	DWG. No.	REV
MANUF, APR	S.S.	Cable Tray Accessories	
SALES, APR	J.S.	00	

PARTNUMBER	DESCRIPTION	
T-CONNECT	(2) PLATES WITH SELF-TAPPING SCREWS	PL150x51 16 GA
T-CHAIN	(2) PLATES & (2) ANGLES WITH CHAINS AND BOLTS	16" CHAINS



## Flashing

Sheet metal flashing trays with lids are designed for wall mounted cable storage. They come galvanized, typically 18 gauge (other gauges are available). The standard length is 2.4m or 8'.


Hardware to attach Tray to Wall included.

Custom Sizes Are Available!

- NOTES :
- 1- MATERIAL: MIN. 300 MPa PER CAN/CSA-G4-0.21-92.
  - 2- ALL MEMBERS ARE HOT DIP GALVANIZED AFTER FABRICATION PER CAN/CSA G164-92.
  - 3- BOLTS ARE A-325 OR Gr 5 AS SPECIFIED.
  - 4- U-BOLTS ARE C-1018, MIN. 66KSI TENSILE STRENGTH, Gr 5 IS AVAILABLE.
  - 5- H.D. GALVANIZED THREADED RODS ARE B7, MIN. 120 KSI.
  - 6- STAINLESS BOLT/THREADED ROD PER ASTM-A193,TENSILE STR. MIN75 KSI.

STANDARD PRICING BASED ON MINIMUM ORDER OF 10

PART NUMBER	DIMS. (WIDTH x DEPTH)	LENGTH	THICKNESS	WALL
FLASHING-01	305mm x 152mm	2.4m (8')	18ga (Flashing) & 12ga (Wall Connection)	BRICK/CONCRETE WALL
T-Connect	PL150x51 16 gauge - Plate to attach trays or lids			

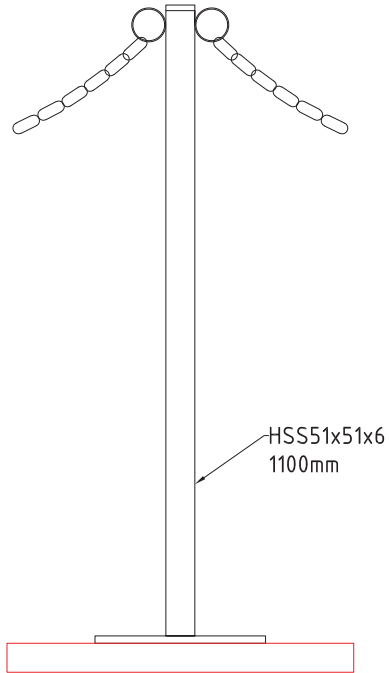
 <b>GORD Telecom Towers</b> 129 Delta Park Blvd., Brampton Ontario L6T 5M8, Canada Tel. 905-791-5800, Fax. 905-791-3325 <a href="http://www.gordtelecom.com">www.gordtelecom.com</a>			
TITLE :			
Flashing			
DRAWN BY	S.S.	SCALE:	REV DATE: 2020
CHK'D BY	S.S.	DWG. No.	REV
MANUF,APR	S.S.	Flashing-GENERIC & COST	
SALES,APR	J.S.		

## Handrail (CHF)

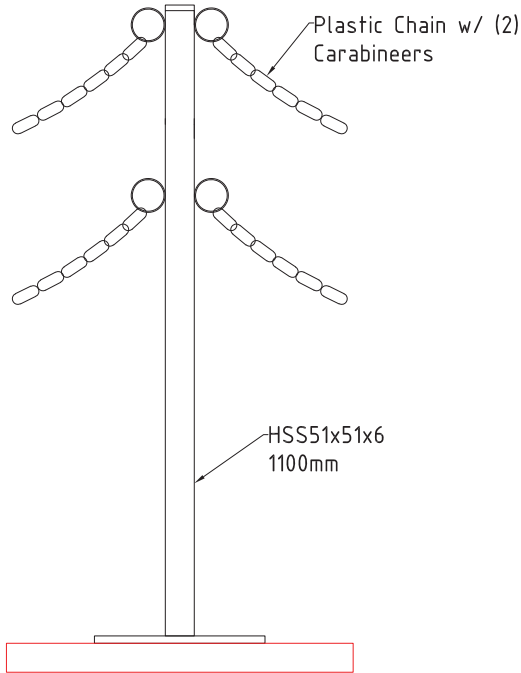
Chain link handrail assemblies are available in two models. One has two chains while the other has one. Both chains are designed to meet NBCC criteria for handrails.

The assemblies are anchored onto patio stones along the base. The chain is made of plastic while the handrail itself is made of steel.

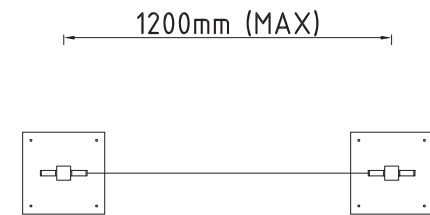
We recommend spacing them out 1200mm max.



CHF-S



CHF-D



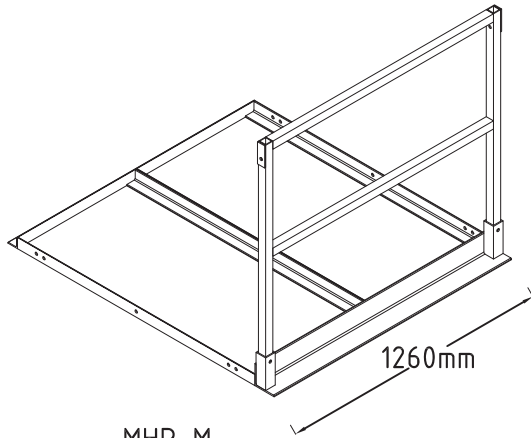
## FENCE LAYOUT

- NOTES :
- 1- MATERIAL: MIN. 300 MPa PER CAN/CSA-G4-0.21-92.
  - 2- ALL MEMBERS ARE HOT DIP GALVANIZED AFTER FABRICATION PER CAN/CSA G164-92.
  - 3- BOLTS ARE A-325 OR Gr 5 AS SPECIFIED.
  - 4- U-BOLTS ARE C-1018, MIN. 66KSI TENSILE STRENGTH, Gr 5 IS AVAILABLE.
  - 5- H.D. GALVANIZED THREADED RODS ARE B7, MIN. 120 KSI.
  - 6- STAINLESS BOLT/THREADED ROD PER ASTM-A193,TENSILE STR. MIN75 KSI.

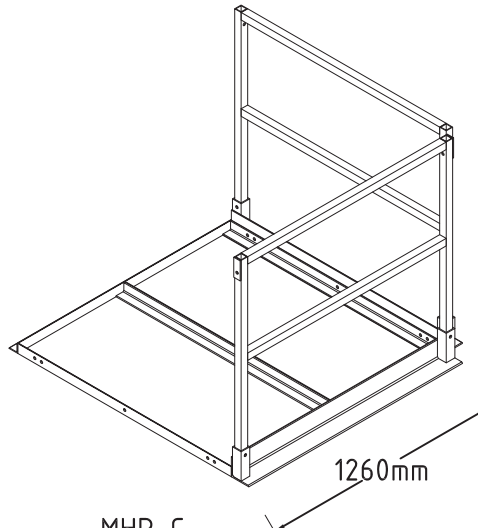
**gord Telecom** GORD Telecom Towers  
 129 Delta Park Blvd., Brampton  
 Ontario L6T 5M8, Canada  
 Tel. 905-791-5800, Fax. 905-791-3325  
[www.gordtelecom.com](http://www.gordtelecom.com)

TITLE :			
Handrail			
DRAWN BY	S.S.	SCALE:	REV DATE: 2020
CHK'D BY	S.S.	DWG. No.	REV
MANUF,APR	S.S.	Handrail-GENERIC & COST	
SALES,APR	J.S.		00

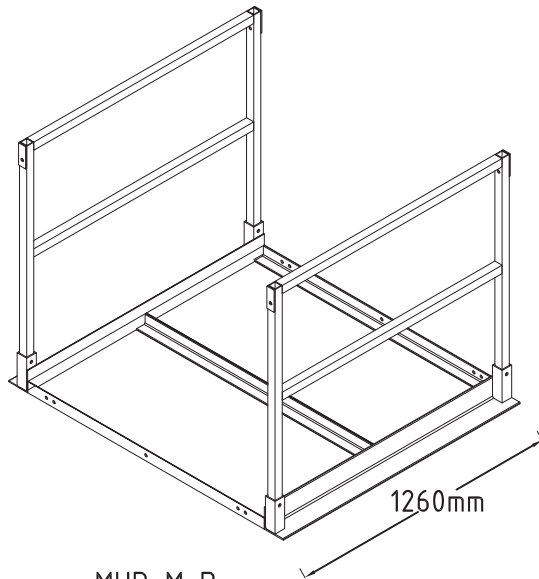
PARTNUMBER	DESCRIPTION
CHF-S	Single Row Chain Fence
CHF-D	Double Row Chain Fence



MHR-M



MHR-C



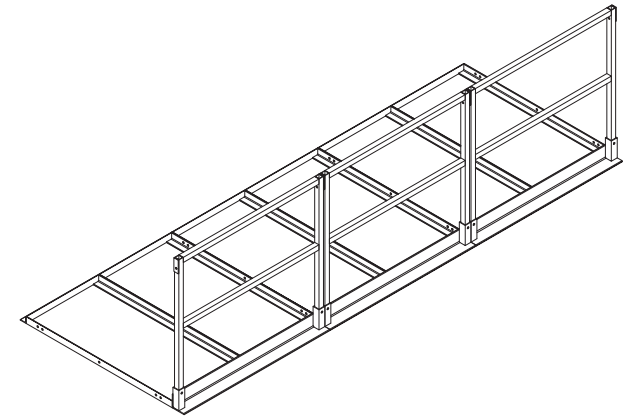
MHR-M-D

### Walkway (MHR)

MHR walkways are designed to roof top sites that require patio stones and handrails to create clearly defined paths.


Each MHR walkways can be attached to another piece. Straight sections (MHR-M) and corner sections (MHR-C) are available. Double handrail sections are also available (MHR-M-D)

Includes Hardware for attachment of sections.



- NOTES :
- 1- MATERIAL: MIN. 300 MPa PER CAN/CSA-G4-0.21-92.
  - 2- ALL MEMBERS ARE HOT DIP GALVANIZED AFTER FABRICATION PER CAN/CSA G164-92.
  - 3- BOLTS ARE A-325 OR Gr 5 AS SPECIFIED.
  - 4- U-BOLTS ARE C-1018, MIN. 66KSI TENSILE STRENGTH, Gr 5 IS AVAILABLE.
  - 5- H.D. GALVANIZED THREADED RODS ARE B7, MIN. 120 KSI.
  - 6- STAINLESS BOLT/THREADED ROD PER ASTM-A193,TENSILE STR. MIN75 KSI.

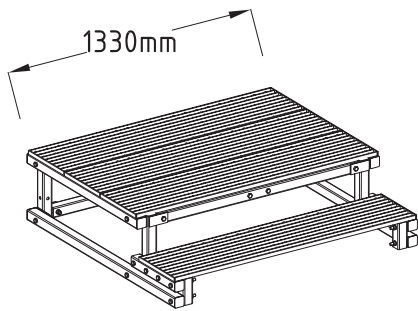
PARTNUMBER	DESCRIPTION (WIDTH x DEPTH)
MHR-M	1260mm x 1413mm
MHR-C	1260mm x 1413mm
MHR-M-D	1260mm x 1413mm

 <b>GORD Telecom Towers</b> 129 Delta Park Blvd., Brampton Ontario L6T 5M8, Canada Tel. 905-791-5800, Fax. 905-791-3325 <a href="http://www.gordtelecom.com">www.gordtelecom.com</a>		
TITLE :		
Walkway (MHR)		
DRAWN BY S.S.	SCALE:	REV DATE: 2020
CHK'D BY S.S.	DWG. No.	REV
MANUF,APR S.S.	Walkway-GENERIC & COST	
SALES,APR J.S.	00	

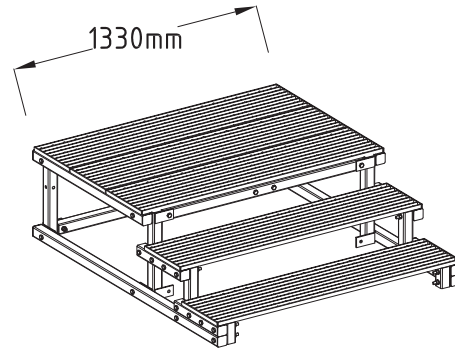
### Platform Step (PLAT-STEP)

These step-overs are designed to be placed over cable trays or other on site hazards such as gas lines. They come in two different clearance heights as well as length.

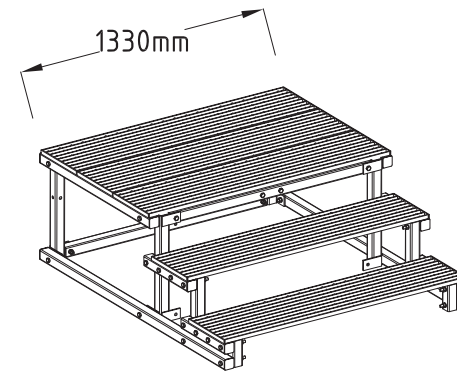
They are anchored onto a 51mm (2") concrete patio stone.



PLAT-STEP-400



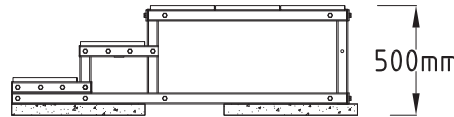
PLAT-STEP-500



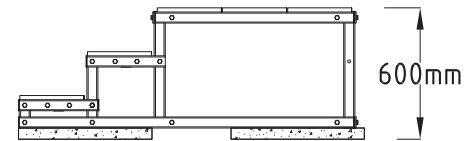
PLAT-STEP-600



FACE VIEW



FACE VIEW



FACE VIEW

- NOTES :
- 1- MATERIAL: MIN. 300 MPa PER CAN/CSA-G4-0.21-92.
  - 2- ALL MEMBERS ARE HOT DIP GALVANIZED AFTER FABRICATION PER CAN/CSA G164-92.
  - 3- BOLTS ARE A-325 OR Gr 5 AS SPECIFIED.
  - 4- U-BOLTS ARE C-1018, MIN. 66KSI TENSILE STRENGTH, Gr 5 IS AVAILABLE.
  - 5- H.D. GALVANIZED THREADED RODS ARE B7, MIN. 120 KSI.
  - 6- STAINLESS BOLT/THREADED ROD PER ASTM-A193,TENSILE STR. MIN75 KSI.

**gord Telecom** GORD Telecom Towers  
 129 Delta Park Blvd., Brampton  
 Ontario L6T 5M8, Canada  
 Tel. 905-791-5800, Fax. 905-791-3325  
[www.gordtelecom.com](http://www.gordtelecom.com)

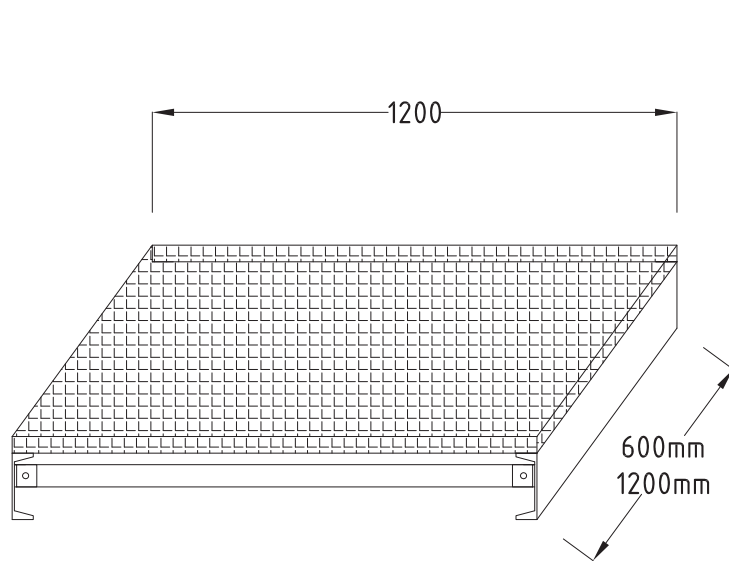
TITLE :			
PLATFORM STEP			
DRAWN BY	S.S.	SCALE:	REV DATE: 2020
CHK'D BY	S.S.	DWG. No.	REV
MANUF,APR	S.S.	Platform Step-GENERIC & COST	
SALES,APR	J.S.		00

PARTNUMBER	DESCRIPTION (WIDTH x LENGTH)	CLEARANCE FROM GROUND
PLAT-STEP-400	1330mm x 1230mm	400mm (INC. 51mm CONCRETE PAD)
PLAT-STEP-500	1330mm x 1535mm	500mm (INC. 51mm CONCRETE PAD)
PLAT-STEP-600	1330mm x 1535mm	600mm (INC. 51mm CONCRETE PAD)

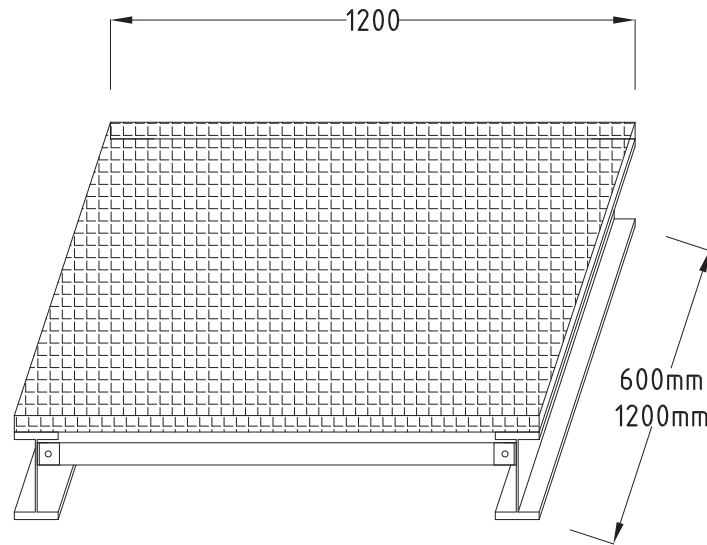
## Step-Over

These step-overs are designed to be placed over cable trays or other on site hazards such as gas lines. They come in two different clearance heights as well as length.

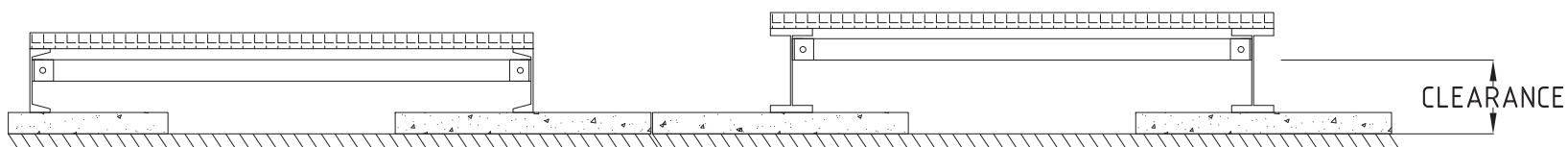
They are anchored onto a 51mm (2") concrete patio stone.



S05-600  
S05-1200



S08-600  
S08-1200



FACE VIEW

FACE VIEW

- NOTES :
- 1- MATERIAL: MIN. 300 MPa PER CAN/CSA-G4-0.21-92.
  - 2- ALL MEMBERS ARE HOT DIP GALVANIZED AFTER FABRICATION PER CAN/CSA G164-92.
  - 3- BOLTS ARE A-325 OR Gr 5 AS SPECIFIED.
  - 4- U-BOLTS ARE C-1018, MIN. 66KSI TENSILE STRENGTH, Gr 5 IS AVAILABLE.
  - 5- H.D. GALVANIZED THREADED RODS ARE B7, MIN. 120 KSI.
  - 6- STAINLESS BOLT/THREADED ROD PER ASTM-A193,TENSILE STR. MIN75 KSI.

<b>gord</b> Telecom		<b>GORD Telecom Towers</b> 129 Delta Park Blvd., Brampton Ontario L6T 5M8, Canada Tel. 905-791-5800, Fax. 905-791-3325 <a href="http://www.gordtelecom.com">www.gordtelecom.com</a>	
TITLE : Stepover			
DRAWN BY	S.S.	SCALE:	REV DATE: 2020
CHK'D BY	S.S.	DWG. No.	REV
MANUF,APR	S.S.	Stepover-GENERIC & COST	
SALES,APR	J.S.	00	

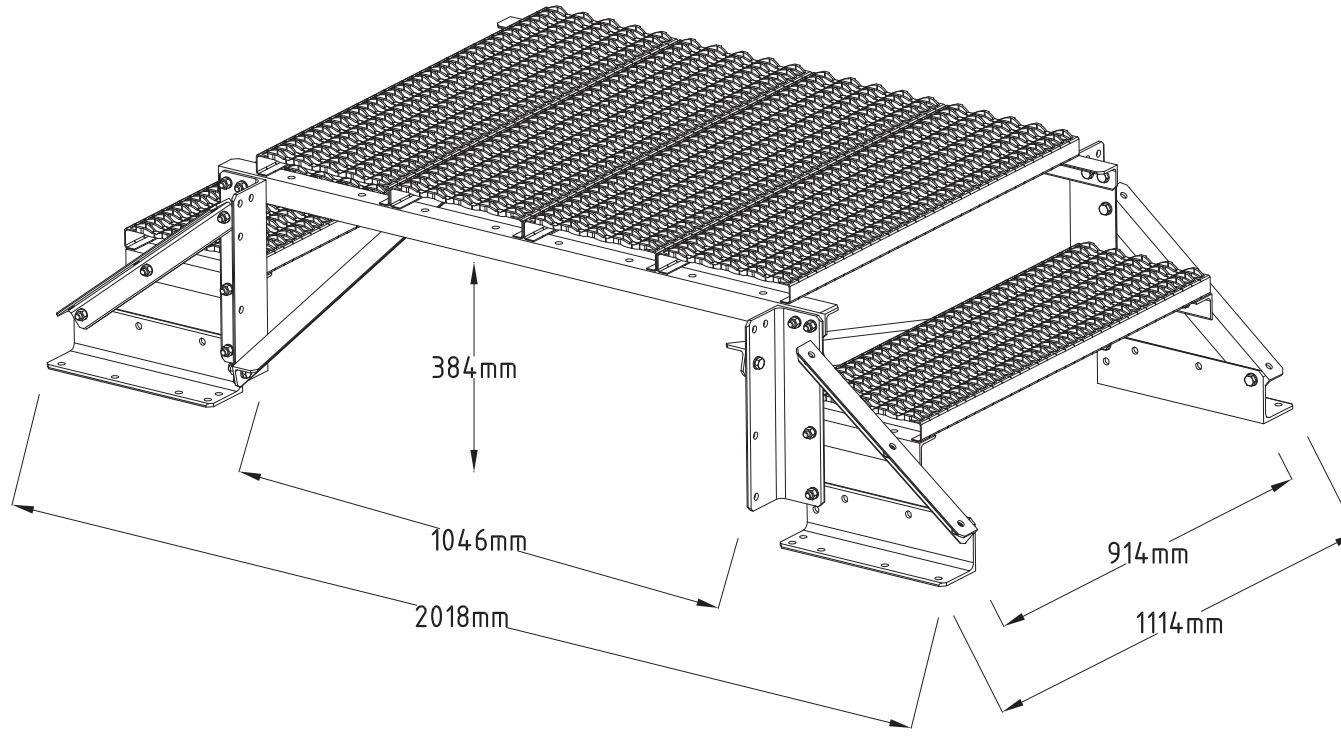
PARTNUMBER	DESCRIPTION (WIDTH x LENGTH)	CLEARANCE FROM GROUND	BASE STYLE
S05-600	1200mm x 600mm	126mm (INC. 51mm CONCRETE PAD)	CHANNEL
S05-1200	1200mm x 1200mm	126mm (INC. 51mm CONCRETE PAD)	CHANNEL
S08-600	1200mm x 600mm	176mm (INC. 51mm CONCRETE PAD)	I-BEAM
S08-1200	1200mm x 1200mm	176mm (INC. 51mm CONCRETE PAD)	I-BEAM



## Step-Over Platform

These step-overs are designed to be placed over cable trays or other on site hazards such as gas lines. They come in two different clearance heights as well as length.


They are anchored onto a 51mm (2") concrete patio stone.



STEP-1T

- NOTES :
- 1- MATERIAL: MIN. 300 MPa PER CAN/CSA-G4-0.21-92.
  - 2- ALL MEMBERS ARE HOT DIP GALVANIZED AFTER FABRICATION PER CAN/CSA G164-92.
  - 3- BOLTS ARE A-325 OR Gr 5 AS SPECIFIED.
  - 4- U-BOLTS ARE C-1018, MIN. 66KSI TENSILE STRENGTH, Gr 5 IS AVAILABLE.
  - 5- H.D. GALVANIZED THREADED RODS ARE B7, MIN. 120 KSI.
  - 6- STAINLESS BOLT/THREADED ROD PER ASTM-A193,TENSILE STR. MIN75 KSI.

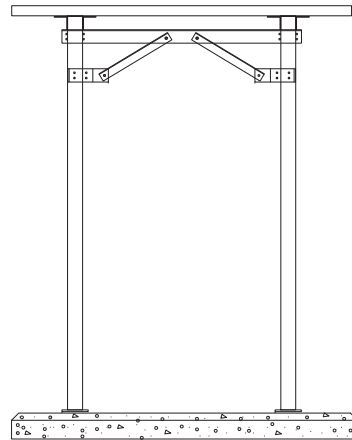
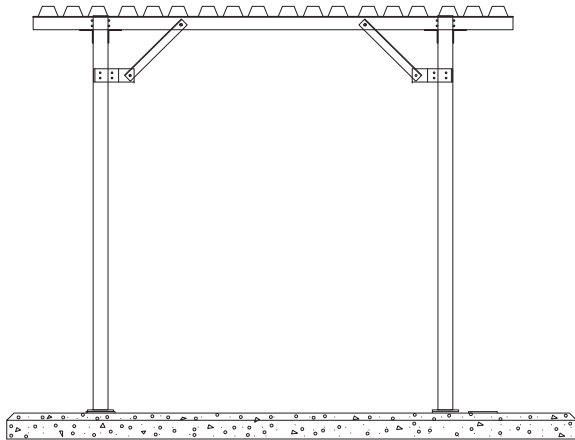
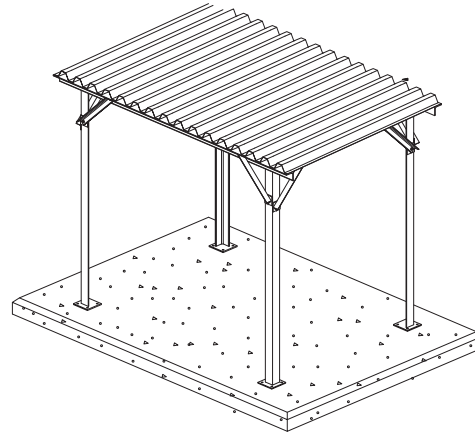
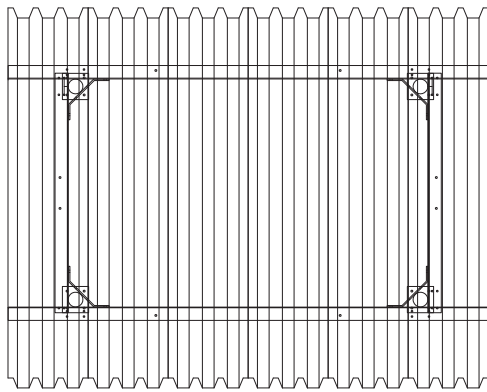
PARTNUMBER	DESCRIPTION (WIDTH x LENGTH)	VERTICAL CLEARANCE
STEP-1T	2018mm x 1114mm	384mm

 <b>GORD Telecom Towers</b> 129 Delta Park Blvd., Brampton Ontario L6T 5M8, Canada Tel. 905-791-5800, Fax. 905-791-3325 <a href="http://www.gordtelecom.com">www.gordtelecom.com</a>			
TITLE :			
Stepover Platform			
DRAWN BY	S.S.	SCALE:	REV DATE: 2020
CHK'D BY	S.S.	DWG. No.	REV
MANUF,APR	S.S.	Stepover Platform-GENERIC & COST	
SALES,APR	J.S.		00

## Shed & Shelter

Steel shelter with roof decking and supports. Ideal for storing cabinet equipment on tower sites. Anchors and material required for installation included.

Custom Sizes Are Available!

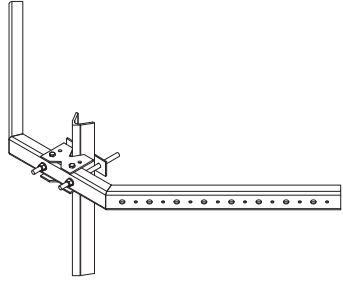


- NOTES :
- 1- MATERIAL: MIN. 300 MPa PER CAN/CSA-G4-0.21-92.
  - 2- ALL MEMBERS ARE HOT DIP GALVANIZED AFTER FABRICATION PER CAN/CSA G164-92.
  - 3- BOLTS ARE A-325 OR Gr 5 AS SPECIFIED.
  - 4- U-BOLTS ARE C-1018, MIN. 66KSI TENSILE STRENGTH, Gr 5 IS AVAILABLE.
  - 5- H.D. GALVANIZED THREADED RODS ARE B7, MIN. 120 KSI.
  - 6- STAINLESS BOLT/THREADED ROD PER ASTM-A193, TENSILE STR. MIN75 KSI.

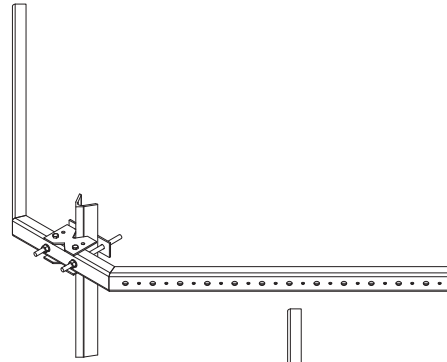
**gord** Telecom  
**GORD Telecom Towers**  
 129 Delta Park Blvd., Brampton  
 Ontario L6T 5M8, Canada  
 Tel. 905-791-5800, Fax. 905-791-3325  
[www.gordtelecom.com](http://www.gordtelecom.com)

TITLE :			
Shelter			
DRAWN BY	S.S.	SCALE:	REV DATE: 2020
CHK'D BY	S.S.	DWG. No.	REV
MANUF,APR	S.S.	Shelter-GENERIC & COST	
SALES,APR	J.S.		

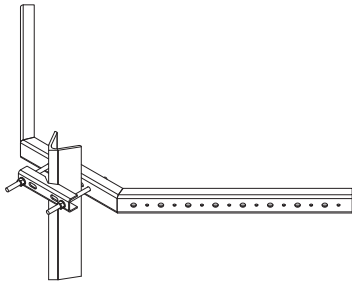
PARTNUMBER	SIZE OF CANOPY	SIZE OF FRAME
SHED2616	3660mm x 2897mm	2629mm x 1625mm



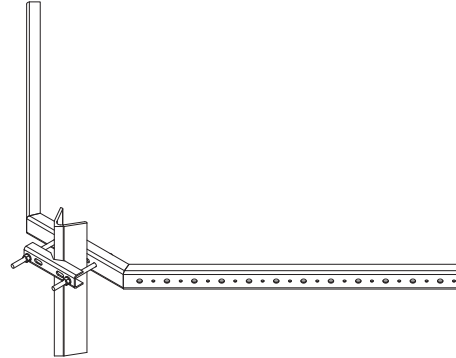
TX16-S  
Small  
16 Hangers



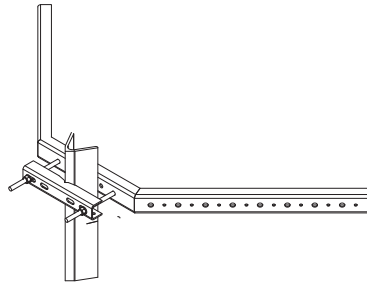
TX24-S  
Small  
24 Hangers



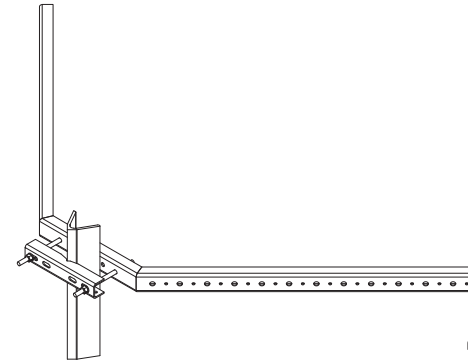
TX16-M  
Medium  
16 Hangers



TX24-M  
Medium  
24 Hangers



TX16-L  
Large  
16 Hangers



TX24-L  
Large  
24 Hangers

## TX Double (TX16-TX24)

TX Double mounts are designed for self-support towers and can carry anywhere from 32 to 48 TX cables total. They are specially designed for 60° tower legs.

They fit the standard 11mm hangers, as well as the larger 20mm hangers. The legs can range anywhere from 114mm-244mm pipe, L89x89-L178x178, and V102x102-V204x204.

All hardware included.

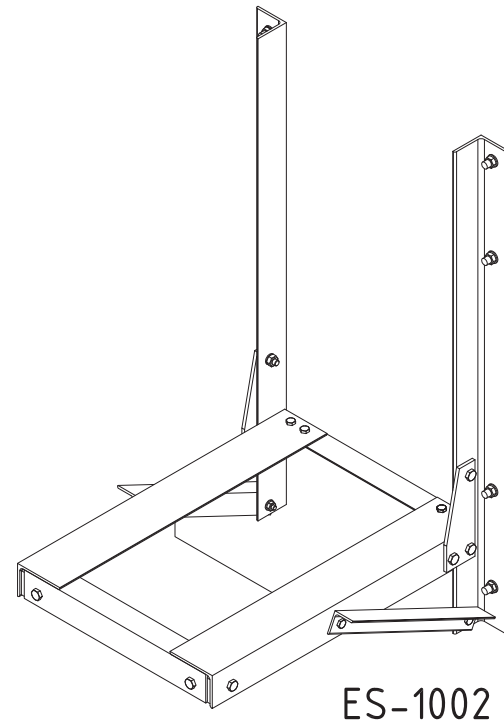
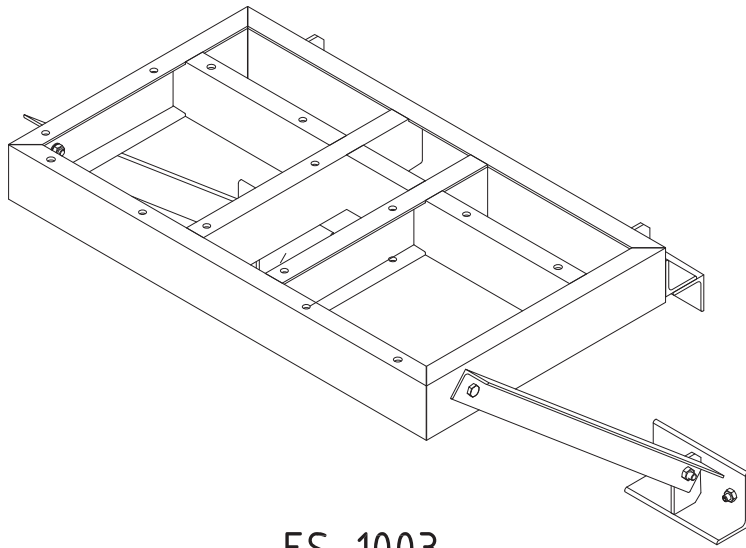
- NOTES :
- 1- MATERIAL: MIN. 300 MPa PER CAN/CSA-G40.21-92.
  - 2- ALL MEMBERS ARE HOT DIP GALVANIZED AFTER FABRICATION PER CAN/CSA G164-92.
  - 3- BOLTS ARE A-325 OR Gr5 AS SPECIFIED.
  - 4- U-BOLTS ARE C-1018, MIN. 66KSI TENSILE STRENGTH, Gr.5 IS AVAILABLE.
  - 5- H.D. GALVANIZED THREADED RODS ARE B7, MIN. 120 KSI.
  - 6- STAINLESS BOLT/THREADED ROD PER ASTM-A193,TENSILE STR. MIN75 KSI.

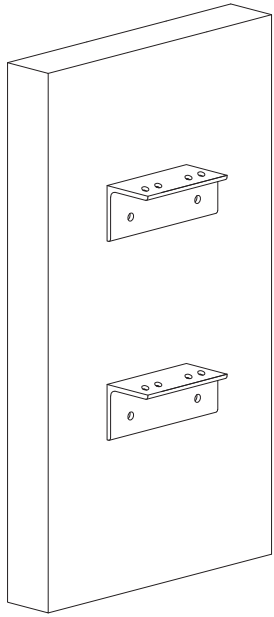
**gord** Telecom Towers  
129 Delta Park Blvd., Brampton  
Ontario L6T 5M8, Canada  
Tel. 905-791-5800, Fax. 905-791-3325  
[www.gordtelecom.com](http://www.gordtelecom.com)

TITLE :			
TX Double Line			
DRAWN BY	S.S	SCALE:	REV DATE: 2020
CHK'D BY	S.S.	DWG. No.	REV
MANUF,APR	S.S.	TX Double-GENERIC & COST	
SALES,APR	J.S.	00	

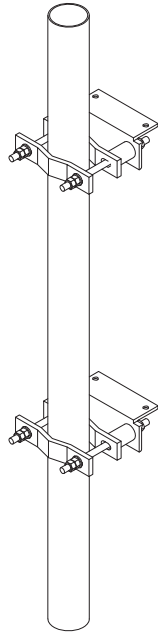
PARTNUMBER	HANGERS (PER SIDE)	LEG ATTACHMENT SIZES (MAX.)
TX16-S	8x 3/4" Hangers, 8x 7/16" Hangers	114mm PIPE, L89x89, V102x102
TX16-M	8x 3/4" Hangers, 8x 7/16" Hangers	168mm PIPE, L127x127, V178x178
TX16-L	8x 3/4" Hangers, 8x 7/16" Hangers	244mm PIPE. L178x178, V204x204
TX24-S	12x 3/4" Hangers, 12x 7/16" Hangers	114mm PIPE, L89x89, V102x102
TX24-M	12x 3/4" Hangers, 12x 7/16" Hangers	168mm PIPE, L127x127, V178x178
TX24-L	12x 3/4" Hangers, 12x 7/16" Hangers	244mm PIPE. L178x178, V204x204

# BBU & Equipment Supports

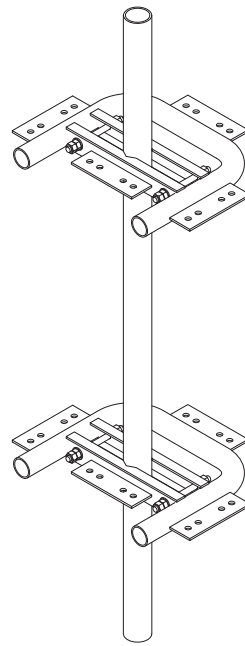




RRU BRACKET - WALL  
(One RRU Max.)



RRU BRACKET - SINGLE  
(One RRU Max.)  
(One RRU Max.)



RRU BRACKET - QUAD  
(Four RRU's Max.)  
(Four RRU's Max.)

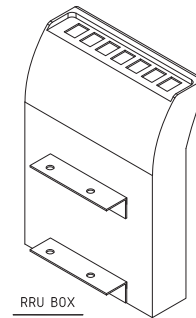
### RRU Bracket

These mounting brackets are designed to support RRU's on either walls or pipes. They are available in single or quad configurations.

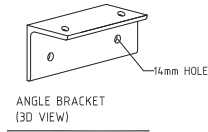
Max pipe size is 114mm (4 1/2").

Included: Hardware to attach brackets to RRU and pipe.

Not Included: Wall Anchors



RRU BOX



ANGLE BRACKET  
(3D VIEW)

RRU BRACKET - UNIVERSAL  
(One RRU Max.)

Adaptor to use RRU Bracket  
(SXX 125 0246/1) instead of  
(SXX 107 2840/1)

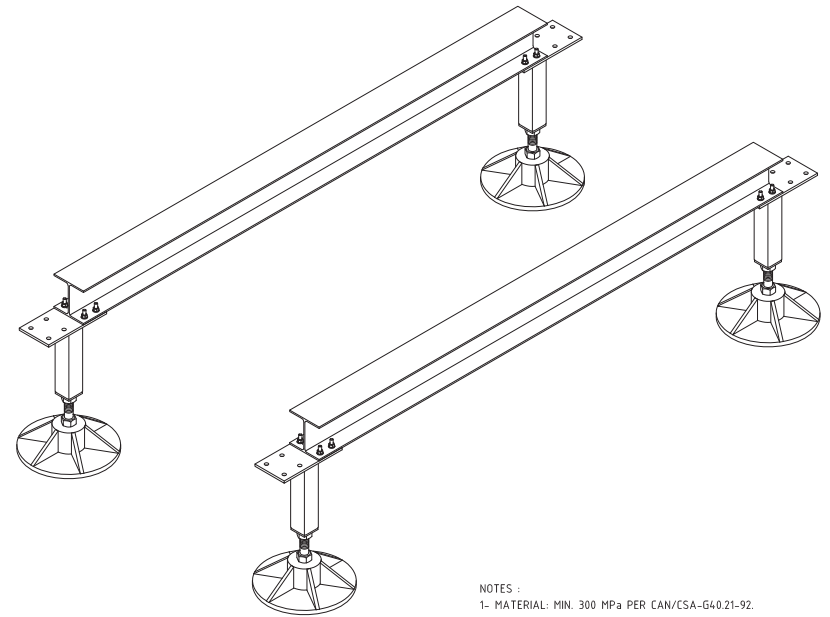
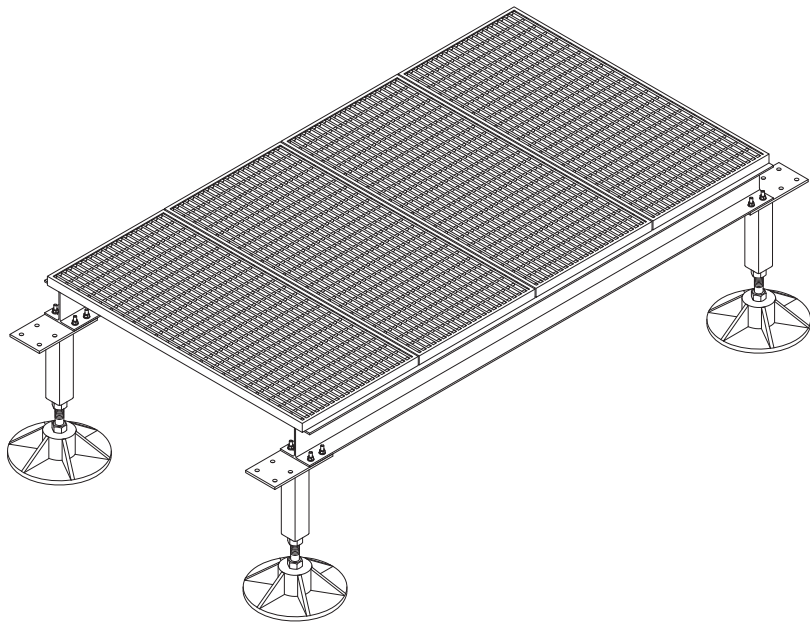
- NOTES :
- 1- MATERIAL: MIN. 300 MPa PER CAN/CSA-G40.21-92.
  - 2- ALL MEMBERS ARE HOT DIP GALVANIZED AFTER FABRICATION PER CAN/CSA G164-92.
  - 3- BOLTS ARE A-325 OR Gr-5 AS SPECIFIED.
  - 4- U-BOLTS ARE C-1018, MIN. 66KSI TENSILE STRENGTH, Gr-5 IS AVAILABLE.
  - 5- H.D. GALVANIZED THREADED RODS ARE B7, MIN. 120 KSI.
  - 6- STAINLESS BOLT/THREADED ROD PER ASTM-A193,TENSILE STR. MIN75 KSI.

PARTNUMBER
RRU BRACKET - WALL
RRU BRACKET - SINGLE
RRU BRACKET - QUAD
RRU BRACKET - UNIVERSAL

		<b>GORD Telecom Towers</b> 129 Delta Park Blvd., Brampton Ontario L6T 5M8, Canada Tel. 905-791-5800, Fax. 905-791-3325 <a href="http://www.gordtelecom.com">www.gordtelecom.com</a>	
TITLE :			
RRU Bracket			
DRAWN BY	S.S.	SCALE:	REV DATE: 2017
CHK'D BY	S.S.	DWG. No.	REV
MANUF,APR	S.S.	RRU BRACKET-GENERIC & COST	
SALES,APR	J.S.		00

## Adjustable Platforms (PLTFRM)

This is a list of our adjustable large size platforms. The platforms have adjustable legs that allow you to move the main platform up and down to the exact height you need. The platform is knock-down so that it is easier to assemble and reassemble on site.



- NOTES :
- 1- MATERIAL: MIN. 300 MPa PER CAN/CSA-G4-0.21-92.
  - 2- ALL MEMBERS ARE HOT DIP GALVANIZED AFTER FABRICATION PER CAN/CSA G164-92.
  - 3- BOLTS ARE A-325 OR Gr.5 AS SPECIFIED.
  - 4- U-BOLTS ARE C-1018, MIN. 66KSI TENSILE STRENGTH, Gr.5 IS AVAILABLE.
  - 5- H.D. GALVANIZED THREADED RODS ARE B7, MIN. 120 KSI.
  - 6- STAINLESS BOLT/THREADED ROD PER ASTM-A193,TENSILE STR. MIN75 KSI.

**gord** Telecom  
**GORD Telecom Towers**  
 129 Delta Park Blvd., Brampton  
 Ontario L6T 5M8, Canada  
 Tel. 905-791-5800, Fax. 905-791-3325  
[www.gordtelecom.com](http://www.gordtelecom.com)

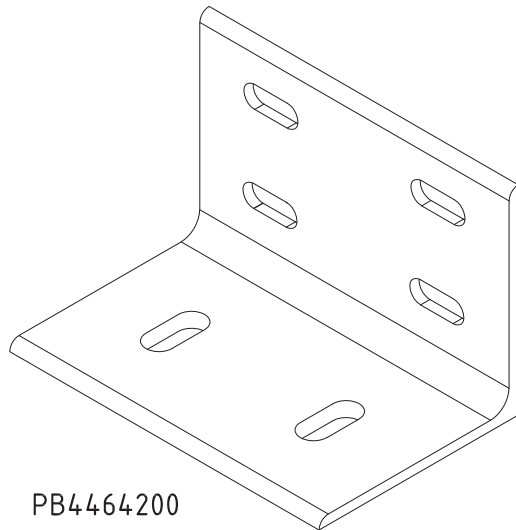
TITLE :  
 Adjustable Platforms (PLTFRM)

DRAWN BY	S.S.	SCALE:	REV DATE:	2017
CHK'D BY	S.S.	DWG. No.		REV
MANUF,APR	S.S.	PLTFRM-Price & Technical		00
SALES,APR	J.S.			

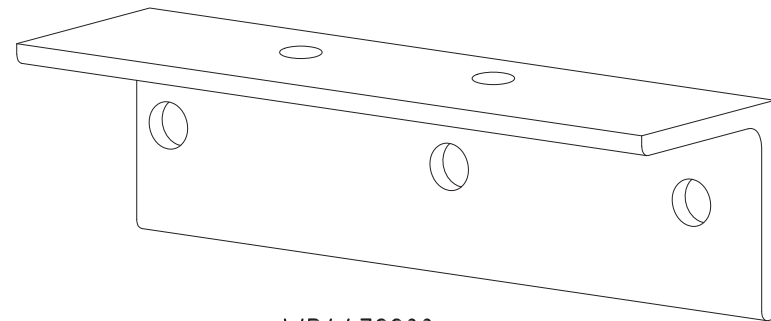
PARTNUMBER	DIMENSIONS	HEIGHT RANGE
PLTFRM-4-8	1220mm x 2440mm (4' x 8')	635mm x 787mm (25" x 31")

# Wall Mounting

## Individual Clip Angles & Accessories



PB4464200



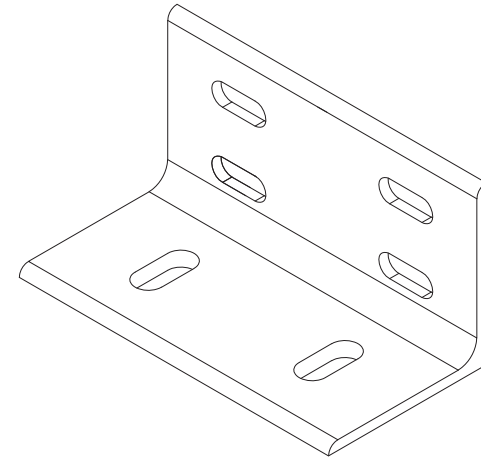
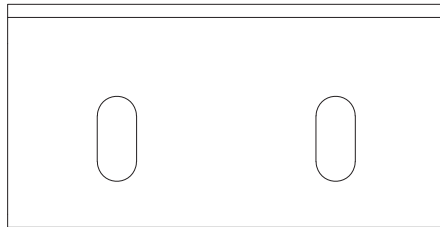
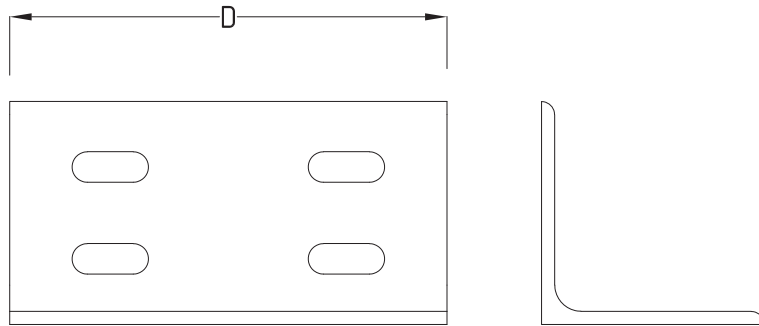
WB4479200

## L102x102 (4") Pipe Brackets (PB)


These 102mmx102mm (4") pipe brackets are used to secure a pipe through the use of two 16mm (5/8") u-bolts. The horizontal holes are oblong to allow for on site adjustments. Most of the pipe brackets are capable of fitting any pipe from 73mm (2 7/8") to 114mm (4 1/2"). We recommend using at least two pipe brackets to secure the pipe.

Mounting Bolts are included.

Please order U-Bolt separately.



- NOTES :
- 1- MATERIAL: MIN. 300 MPa PER CAN/CSA-G4-0.21-92.
  - 2- ALL MEMBERS ARE HOT DIP GALVANIZED AFTER FABRICATION PER CAN/CSA G164-92.
  - 3- BOLTS ARE A-325 OR Gr 5 AS SPECIFIED.
  - 4- U-BOLTS ARE L-1018, MIN. 66KSI TENSILE STRENGTH, Gr 5 IS AVAILABLE.
  - 5- H.D. GALVANIZED THREADED RODS ARE B7, MIN. 120 KSI.
  - 6- STAINLESS BOLT/THREADED ROD PER ASTM-A193,TENSILE STR. MIN75 KSI.

 <b>GORD Telecom Towers</b> 129 Delta Park Blvd., Brampton Ontario L6T 5M8, Canada Tel. 905-791-5800, Fax. 905-791-3325 <a href="http://www.gordtelecom.com">www.gordtelecom.com</a>		TITLE :	
		L102x102 PIPE BRACKET	
DRAWN BY S.S.	SCALE:	REV DATE: 2016	
CHK'D BY S.S.	DWG. No.		REV
MANUF,APR S.S.	PB-102mm-GENERIC & COST		00
SALES,APR J.S.			

PARTNUMBER	ANGLE	D (mm)	DESCRIPTION
PB4479200	L102x102x7.9	200	PIPE BRACKET FITS 73mm TO 114mm PIPE
PB4479250	L102x102x7.9	250	PIPE BRACKET FITS 73mm TO 114mm PIPE
PB4495200A	L102x102x9.5	200	PIPE BRACKET FITS 73mm TO 89mm PIPE
PB4495250A	L102x102x9.5	250	PIPE BRACKET FITS 73mm TO 89mm PIPE
PB4495200B	L102x102x9.5	200	PIPE BRACKET FITS 102mm TO 114mm PIPE
PB4495250B	L102x102x9.5	250	PIPE BRACKET FITS 102mm TO 114mm PIPE

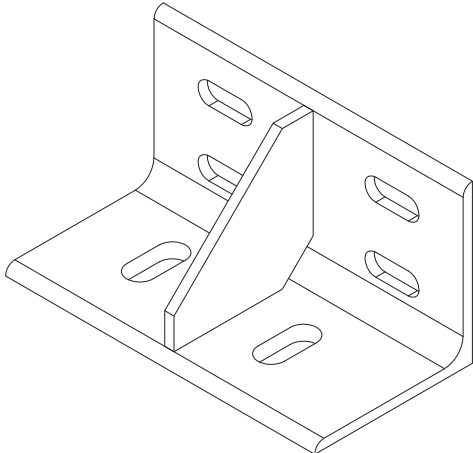
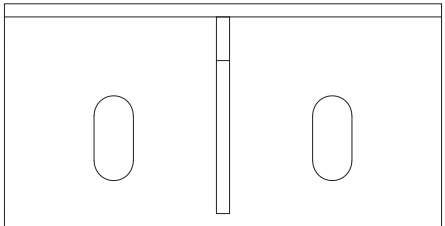
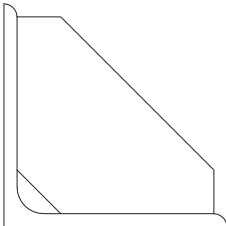
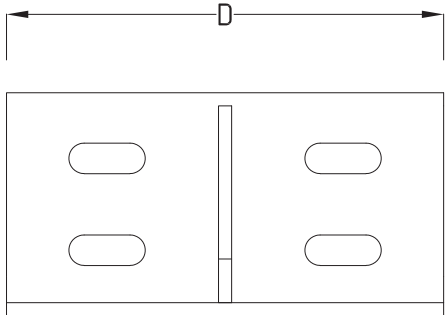


**L102x102 (4") Pipe Brackets with Gusset (PBG)**

These 102mmx102mm (4") pipe brackets are used to secure a pipe through the use of two 16mm (5/8") u-bolts. The added gusset provides extra resistance to bending. The horizontal holes are oblong to allow for on site adjustments. Most of the pipe brackets are capable of fitting any pipe from 73mm (2 7/8") to 114mm (4 1/2"). We recommend using at least two pipe brackets to secure the pipe.

Mounting bolts included.

Please order U-Bolt separately.



- NOTES :
- 1- MATERIAL: MIN. 300 MPa PER CAN/CSA-G4021-92
  - 2- ALL MEMBERS ARE HOT DIP GALVANIZED AFTER FABRICATION PER CAN/CSA G164-92
  - 3- BOLTS ARE A-325 OR Gr.5 AS SPECIFIED.
  - 4- U-BOLTS ARE C-1018, MIN. 66KSI TENSILE STRENGTH, Gr.5 IS AVAILABLE.
  - 5- H.D. GALVANIZED THREADED RODS ARE B7, MIN. 120 KSI
  - 6- STAINLESS BOLT/THREADED ROD PER ASTM-A193,TENSILE STR. MIN75 KSI.

PART NUMBER	ANGLE	D (mm)	DESCRIPTION
PBG4495200A	L102x102x9.5	200	PIPE BRACKET FITS 73mm TO 89mm PIPE
PBG4495250A	L102x102x9.5	250	PIPE BRACKET FITS 73mm TO 89mm PIPE
PBG4495200B	L102x102x9.5	200	PIPE BRACKET FITS 102mm TO 114mm PIPE
PBG4495250B	L102x102x9.5	250	PIPE BRACKET FITS 102mm TO 114mm PIPE

**gord Telecom** GORD Telecom Towers  
 129 Delta Park Blvd., Brampton  
 Ontario L6T 5M8, Canada  
 Tel. 905-791-5800, Fax. 905-791-3325  
[www.gordtelecom.com](http://www.gordtelecom.com)

TITLE :  
 L102x102 PIPE BRACKETS w/ GUSSET

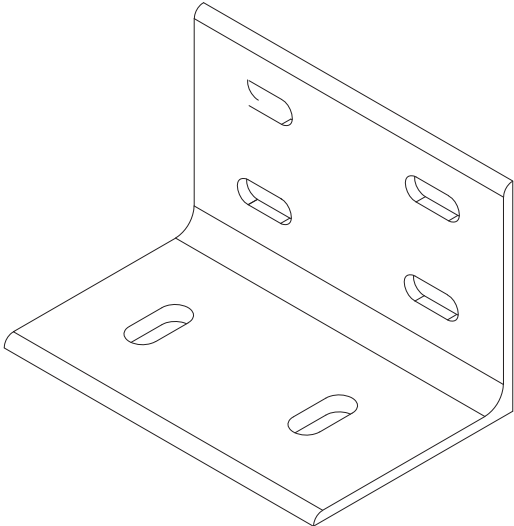
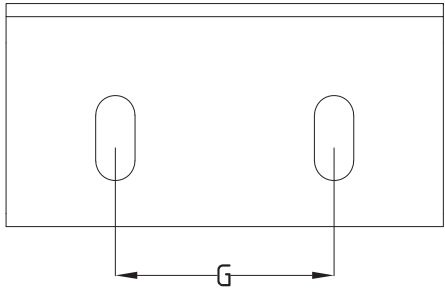
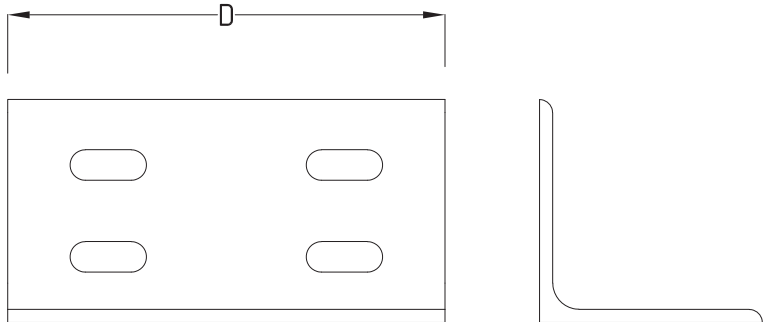
DRAWN BY S.S.	SCALE:	REV DATE: 2016
CHK'D BY S.S.	DWG. No.	REV
MANUF,APR S.S.	PBG-102mm-GENERIC & COST	00
SALES,APR J.S.		

**L127x127 (5") Pipe Brackets (PB)**

These 127mmx127mm (5") pipe brackets are used to secure a pipe through the use of two 16mm (5/8") u-bolts. The horizontal holes are oblong to allow for on site adjustments. All of the pipe brackets are capable of fitting any pipe from 73mm (2 7/8") to 114mm (4 1/2"). We recommend using at least two pipe brackets to secure the pipe.

Mounting bolts included.

Please order U-Bolt separately.



- NOTES :
- 1- MATERIAL: MIN. 300 MPa PER CAN/CSA-G40.21-92.
  - 2- ALL MEMBERS ARE HOT DIP GALVANIZED AFTER FABRICATION PER CAN/CSA G164-92.
  - 3- BOLTS ARE A-325 OR Gr.5 AS SPECIFIED.
  - 4- U-BOLTS ARE C-1018, MIN. 66KSI TENSILE STRENGTH; Gr.5 IS AVAILABLE.
  - 5- H.D. GALVANIZED THREADED RODS ARE B7, MIN. 120 KSI.
  - 6- STAINLESS BOLT/THREADED ROD PER ASTM-A193,TENSILE STR. MIN75 KSI.

PARTNUMBER	ANGLE	D (mm)
PB5595200	L127x127x9.5	200
PB5595250	L127x127x9.5	250
PB5513200	L127x127x13	200
PB5513250	L127x127x13	250

**gord Telecom** GORD Telecom Towers  
 129 Delta Park Blvd., Brampton  
 Ontario L6T 5M8, Canada  
 Tel. 905-791-5800, Fax. 905-791-3325  
[www.gordtelecom.com](http://www.gordtelecom.com)

TITLE :  
 L127x127 PIPE BRACKET

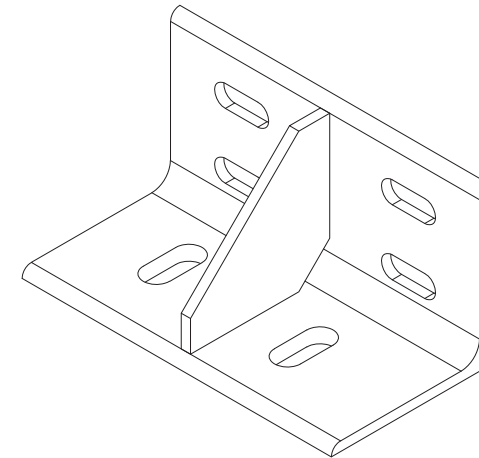
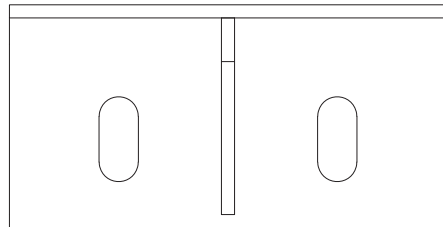
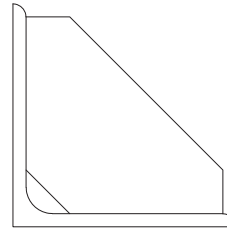
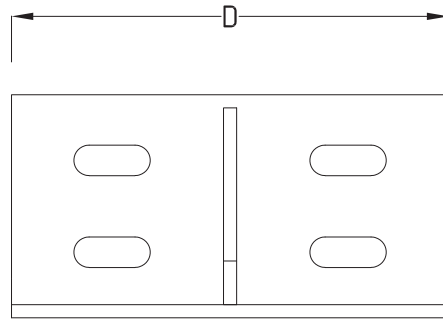
DRAWN BY	S.S.	SCALE:	REV DATE: 2016
CHK'D BY	S.S.	DWG. No.	REV
MANUF,APR	S.S.	PB-127mm-GENERIC & COST	
SALES,APR	J.S.		00

## L127x127 (5") Pipe Brackets with Gusset (PBG)

These 127mmx127mm (5") pipe brackets are used to secure a pipe through the use of two 16mm (5/8") u-bolts. The added gusset provides extra resistance to bending. The horizontal holes are oblong to allow for on site adjustments. All of the pipe brackets are capable of fitting any pipe from 73mm (2 7/8") to 114mm (4 1/2"). We recommend using at least two pipe brackets to secure the pipe.

Mounting bolts are included.

Please order U-Bolts separately.



- NOTES :
- 1- MATERIAL: MIN. 300 MPa PER CAN/CSA-G40.21-92.
  - 2- ALL MEMBERS ARE HOT DIP GALVANIZED AFTER FABRICATION PER CAN/CSA G164-92.
  - 3- BOLTS ARE A-325 OR Gr-5 AS SPECIFIED.
  - 4- U-BOLTS ARE C-1018, MIN 66KSI TENSILE STRENGTH; Gr-5 IS AVAILABLE.
  - 5- H.D. GALVANIZED THREADED RODS ARE B7, MIN. 120 KSI.
  - 6- STAINLESS BOLT/THREADED ROD PER ASTM-A193,TENSILE STR. MIN75 KSI.

**gord** Telecom  
**GORD Telecom Towers**  
 129 Delta Park Blvd., Brampton  
 Ontario L6T 5M8, Canada  
 Tel. 905-791-5800, Fax. 905-791-3325  
[www.gordtelecom.com](http://www.gordtelecom.com)

TITLE :			
L127x127 PIPE BRACKETS w/ GUSSET			
DRAWN BY	S.S.	SCALE:	REV DATE: 2016
CHK'D BY	S.S.	DWG. No.	REV
MANUF,APR	S.S.	PBG-127mm-GENERIC & COST	
SALES,APR	J.S.		00

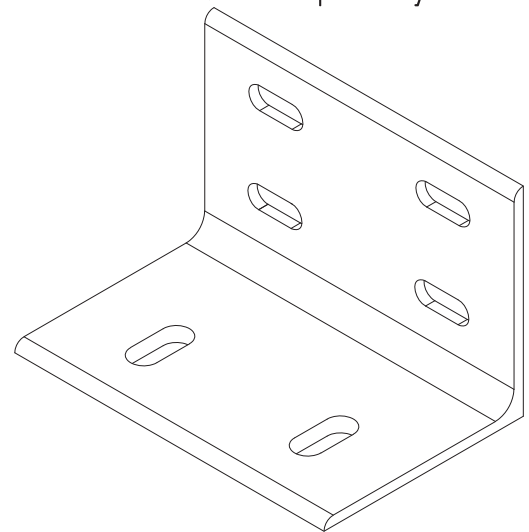
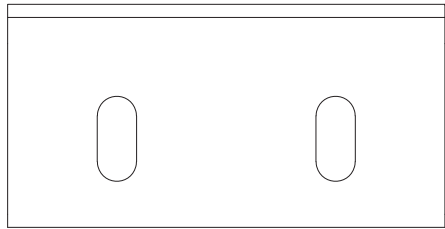
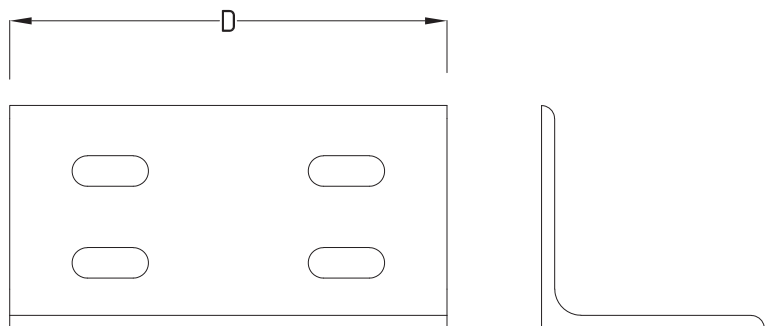
PARTNUMBER	ANGLE	D (mm)
PBG5595200	L127x127x9.5	200
PBG5595250	L127x127x9.5	250
PBG5513200	L127x127x13	200
PBG5513250	L127x127x13	250

**L152x152 (6") Pipe Brackets (PB)**

These 152mmx152mm (6") pipe brackets are used to secure a pipe through the use of two 16mm (5/8") u-bolts. The horizontal holes are oblong to allow for on site adjustments. All of the pipe brackets are capable of fitting any pipe from 73mm (2 7/8") to 114mm (4 1/2"). We recommend using at least two pipe brackets to secure the pipe.

Mounting bolts included.

Please order U-Bolts separately.



- NOTES :
- 1- MATERIAL: MIN. 300 MPa PER CAN/CSA-G40.21-92.
  - 2- ALL MEMBERS ARE HOT DIP GALVANIZED AFTER FABRICATION PER CAN/CSA G164-92.
  - 3- BOLTS ARE A-325 OR Gr.5 AS SPECIFIED.
  - 4- U-BOLTS ARE C-1018, MIN. 66KSI TENSILE STRENGTH, Gr.5 IS AVAILABLE.
  - 5- H.D. GALVANIZED THREADED RODS ARE B7, MIN. 120 KSI.
  - 6- STAINLESS BOLT/THREADED ROD PER ASTM-A193,TENSILE STR. MIN75 KSI.

PARTNUMBER	ANGLE	D (mm)
PB6695200	L152x152x9.5	200
PB6695250	L152x152x9.5	250
PB6695300	L152x152x9.5	300
PB6613200	L152x152x13	200
PB6613250	L152x152x13	250
PB6613300	L152x152x13	300

**gord Telecom** GORD Telecom Towers  
 129 Delta Park Blvd., Brampton  
 Ontario L6T 5M8, Canada  
 Tel. 905-791-5800, Fax. 905-791-3325  
 www.gordtelecom.com

TITLE :  
 L152x152 PIPE BRACKET

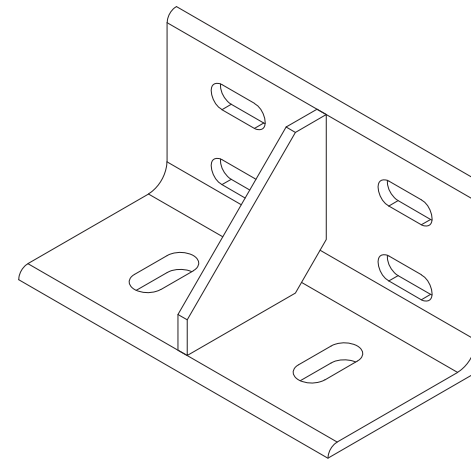
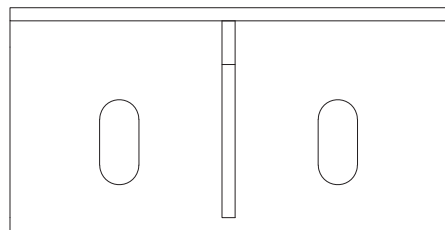
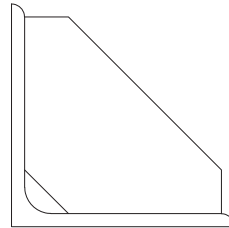
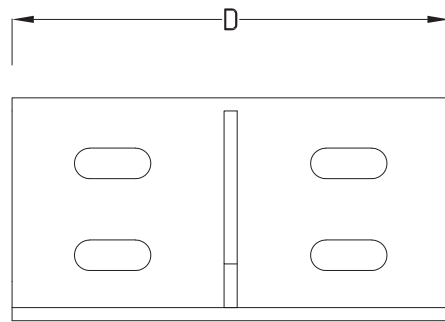
DRAWN BY	S.S.	SCALE:	REV DATE: 2016
CHK'D BY	S.S.	DWG. No.	REV
MANUF,APR	S.S.	PB-152mm-GENERIC & COST	
SALES,APR	J.S.		00

## L152x152 (6") Pipe Brackets with Gusset (PBG)

These 152mmx152mm (6") pipe brackets are used to secure a pipe through the use of two 16mm (5/8") u-bolts. The added gusset provides extra resistance to bending. The horizontal holes are oblong to allow for on site adjustments. All of the pipe brackets are capable of fitting any pipe from 73mm (2 7/8") to 114mm (4 1/2"). We recommend using at least two pipe brackets to secure the pipe.


Mounting bolts are included.

Please order U-Bolts separately.

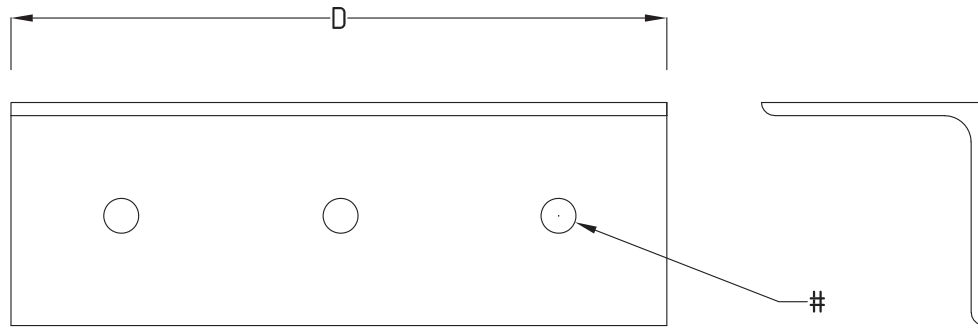


- NOTES :
- 1- MATERIAL: MIN. 300 MPa PER CAN/CSA-G40.21-92.
  - 2- ALL MEMBERS ARE HOT DIP GALVANIZED AFTER FABRICATION PER CAN/CSA G164-92.
  - 3- BOLTS ARE A-325 OR Gr.5 AS SPECIFIED.
  - 4- U-BOLTS ARE C-1018, MIN. 66KSI TENSILE STRENGTH; Gr.5 IS AVAILABLE.
  - 5- H.D. GALVANIZED THREADED RODS ARE B7, MIN. 120 KSI.
  - 6- STAINLESS BOLT/THREADED ROD PER ASTM-A193,TENSILE STR. MIN75 KSI.

PARTNUMBER	ANGLE	D (mm)
PBG6695200	L152x152x9.5	200
PBG6695250	L152x152x9.5	250
PBG6695300	L152x152x9.5	300
PBG6613200	L152x152x13	200
PBG6613250	L152x152x13	250
PBG6613300	L152x152x13	300

 <b>GORD Telecom Towers</b> 129 Delta Park Blvd., Brampton Ontario L6T 5M8, Canada Tel. 905-791-5800, Fax. 905-791-3325 <a href="http://www.gordtelecom.com">www.gordtelecom.com</a>		
TITLE :		
L152x152 PIPE BRACKET w/ GUSSET		
DRAWN BY S.S.	SCALE:	REV DATE: 2016
CHK'D BY S.S.	DWG. No.	REV
MANUF,APR S.S.	PBG-152mm-GENERIC & COST	
SALES,APR J.S.	00	

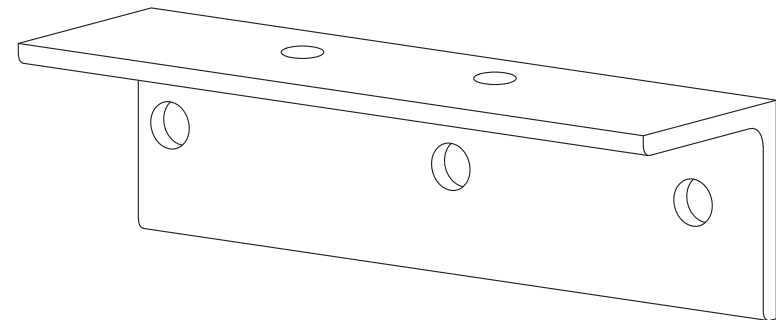
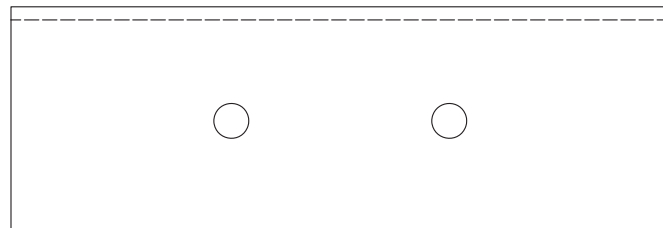
## L102x102 (4") Wall Brackets (WB)



These 102mmx102mm (4") wall brackets are used to secure the pipe bracket to the wall. The horizontal holes are spaced so that any size of pipe bracket may be fastened. All wall brackets come with either two or three holes for threaded rods. Threaded rods can either be chemically bonded to the wall or can be clamped using back plates. We recommend using atleast two wall brackets to secure the pipe.

Wall Brackets are designed for 16mm (5/8") Threaded Rods. Other sizes are available.

Please order Back Plates and Threaded Rods seperately



- NOTES :
- 1- MATERIAL: MIN. 300 MPa PER CAN/CSA-G40.21-92.
  - 2- ALL MEMBERS ARE HOT DIP GALVANIZED AFTER FABRICATION PER CAN/CSA G164-92.
  - 3- BOLTS ARE A-325 OR Gr-5 AS SPECIFIED.
  - 4- U-BOLTS ARE C-1018, MIN. 66KSI TENSILE STRENGTH, Gr-5 IS AVAILABLE.
  - 5- HD. GALVANIZED THREADED RODS ARE B7, MIN. 120 KSI.
  - 6- STAINLESS BOLT/THREADED ROD PER ASTM-A193,TENSILE STR. MIN75 KSI.

**gord** Telecom  
**GORD Telecom Towers**  
 129 Delta Park Blvd., Brampton  
 Ontario L6T 5M8, Canada  
 Tel. 905-791-5800, Fax. 905-791-3325  
[www.gordtelecom.com](http://www.gordtelecom.com)

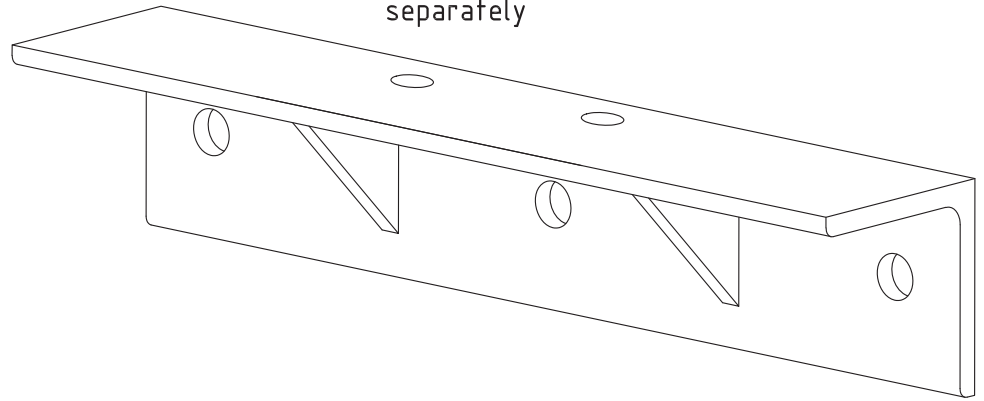
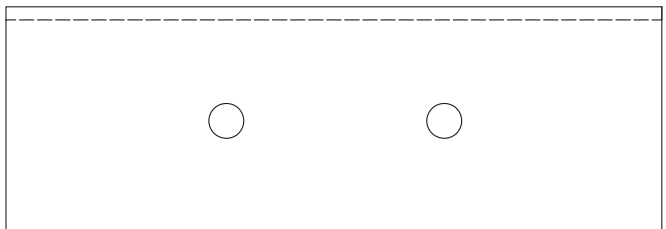
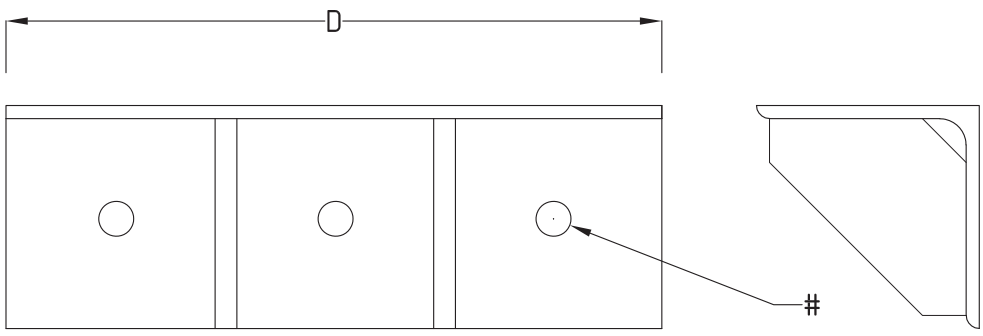
TITLE :			
L102x102 WALL BRACKET			
DRAWN BY	S.S.	SCALE:	REV DATE: 2016
CHK'D BY	S.S.	DWG. No.	REV
MANUF,APR	S.S.	WB-102mm-GENERIC & COST	
SALES,APR	J.S.		00

PARTNUMBER	ANGLE	D (mm)	#
WB4495300	L102x102x9.5	300	3 Holes
WB4495400	L102x102x9.5	400	3 Holes
WB4495500	L102x102x9.5	500	3 Holes

**L102x102 (4") Wall Brackets with Gusset (WBG)**

These 102mmx102mm (4") wall brackets are used to secure the pipe bracket to the wall. Two gussets are used to provide superior resistance against bending. The horizontal holes are spaced so that any size of pipe bracket may be fastened. All wall brackets come with either two or three holes for threaded rods. Threaded rods can either be chemically bonded to the wall or can be clamped using back plates. We recommend using at least two wall brackets to secure the pipe.

Please order Back Plates and Threaded Rods separately



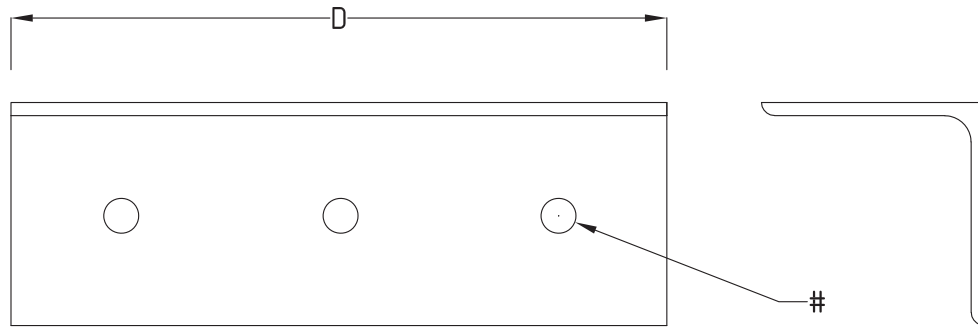
- NOTES :
- 1- MATERIAL: MIN. 300 MPa PER CAN/CSA-G40.21-92.
  - 2- ALL MEMBERS ARE HOT DIP GALVANIZED AFTER FABRICATION PER CAN/CSA G164-92.
  - 3- BOLTS ARE A-325 OR Gr.5 AS SPECIFIED.
  - 4- U-BOLTS ARE C-1018, MIN. 66KSI TENSILE STRENGTH; Gr.5 IS AVAILABLE.
  - 5- H.D. GALVANIZED THREADED RODS ARE B7, MIN. 120 KSI.
  - 6- STAINLESS BOLT/THREADED ROD PER ASTM-A193,TENSILE STR. MIN75 KSI.

PARTNUMBER	ANGLE	D (mm)	#
WBG4495350	L102x102x9.5	350	3 Holes
WBG4495400	L102x102x9.5	400	3 Holes
WBG4495500	L102x102x9.5	500	3 Holes
WBG4495600	L102x102x9.5	600	3 Holes
WBG4413400	L102x102x13	400	3 Holes
WBG4413500	L102x102x13	500	3 Holes
WBG4413600	L102x102x13	600	3 Holes

**gord Telecom** **GORD Telecom Towers**  
 129 Delta Park Blvd., Brampton  
 Ontario L6T 5M8, Canada  
 Tel. 905-791-5800, Fax. 905-791-3325  
[www.gordtelecom.com](http://www.gordtelecom.com)

TITLE :			
L102x102 WALL BRACKET w/ GUSSET			
DRAWN BY	S.S.	SCALE:	REV DATE: 2016
CHK'D BY	S.S.	DWG. No.	REV.
MANUF,APR	S.S.	WBG-102mm-GENERIC & COST	
SALES,APR	J.S.		00

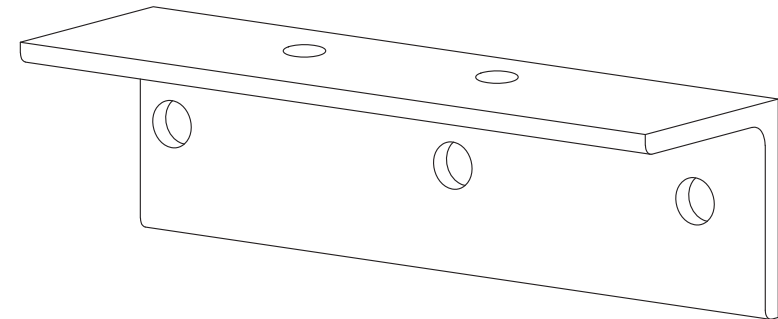
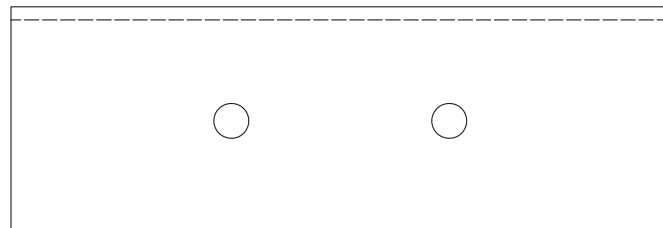
## L127x127 (5") Wall Brackets (WB)



These 127mmx127mm (5") wall brackets are used to secure the pipe bracket to the wall. The horizontal holes are spaced so that any size of pipe bracket may be fastened. All wall brackets come with either two or three holes for threaded rods. Threaded rods can either be chemically bonded to the wall or can be clamped using back plates. We recommend using at least two wall brackets to secure the pipe.

Wall Brackets are designed for 16mm (5/8") Threaded Rods. Other sizes are available.

Please order Back Plates and Threaded Rods separately



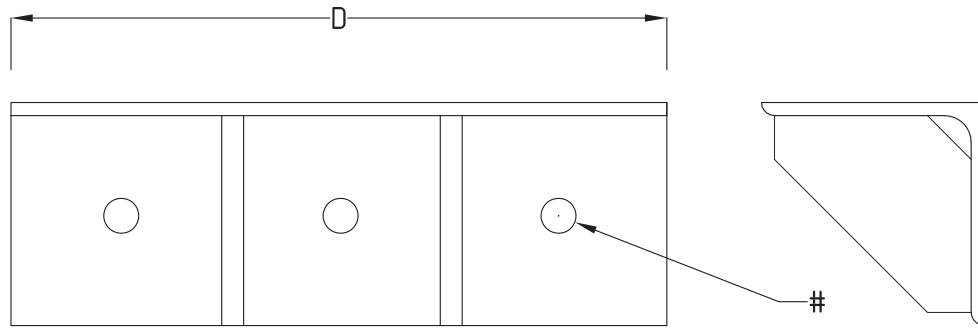
- NOTES :
- 1- MATERIAL: MIN. 300 MPa PER CAN/CSA-G4021-92.
  - 2- ALL MEMBERS ARE HOT DIP GALVANIZED AFTER FABRICATION PER CAN/CSA G164-92.
  - 3- BOLTS ARE A-325 OR Gr-5 AS SPECIFIED.
  - 4- U-BOLTS ARE C-1018, MIN. 66KSI TENSILE STRENGTH, Gr-5 IS AVAILABLE.
  - 5- H.D. GALVANIZED THREADED RODS ARE B7, MIN. 120 KSI.
  - 6- STAINLESS BOLT/THREADED ROD PER ASTM-A193,TENSILE STR. MIN75 KSI.

PARTNUMBER	ANGLE	D (mm)	#
WB5595300	L127x127x9.5	300	3 Holes
WB5595400	L127x127x9.5	400	3 Holes
WB5595500	L127x127x9.5	500	3 Holes
WB5513400	L127x127x13	400	3 Holes
WB5513500	L127x127x13	500	3 Holes
WB5513600	L127x127x13	600	3 Holes

<b>gord</b> Telecom		<b>GORD Telecom Towers</b> 129 Delta Park Blvd., Brampton Ontario L6T 5M8, Canada Tel. 905-791-5800, Fax. 905-791-3325 <a href="http://www.gordtelecom.com">www.gordtelecom.com</a>	
TITLE :			
L127x127 WALL BRACKET			
DRAWN BY	S.S.	SCALE:	REV DATE: 2016
CHK'D BY	S.S.	DWG. No.	REV
MANUF,APR	S.S.	WB-127mm-GENERIC & COST	
SALES,APR	J.S.	00	

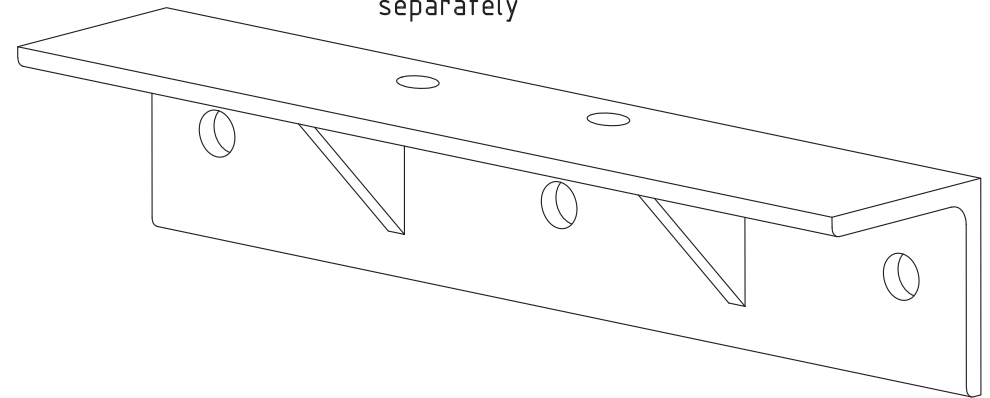
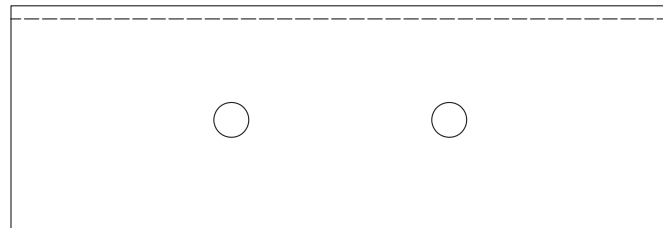


## L127x127 (5") Wall Brackets with Gusset (WBG)



These 127mmx127mm (5") wall brackets are used to secure the pipe bracket to the wall. Two gussets are used to provide superior resistance against bending. The horizontal holes are spaced so that any size of pipe bracket may be fastened. All wall brackets come with either two or three holes for threaded rods. Threaded rods can either be chemically bonded to the wall or can be clamped using back plates. We recommend using at least two wall brackets to secure the pipe.

Please order Back Plates and Threaded Rods separately



- NOTES :
- 1- MATERIAL: MIN. 300 MPa PER CAN/CSA-G40.21-92.
  - 2- ALL MEMBERS ARE HOT DIP GALVANIZED AFTER FABRICATION PER CAN/CSA G164-92.
  - 3- BOLTS ARE A-325 OR Gr.5 AS SPECIFIED.
  - 4- U-BOLTS ARE C-1018, MIN. 66KSI TENSILE STRENGTH; Gr.5 IS AVAILABLE.
  - 5- H.D. GALVANIZED THREADED RODS ARE B7, MIN. 120 KSI.
  - 6- STAINLESS BOLT/THREADED ROD PER ASTM-A193, TENSILE STR. MIN75 KSI.

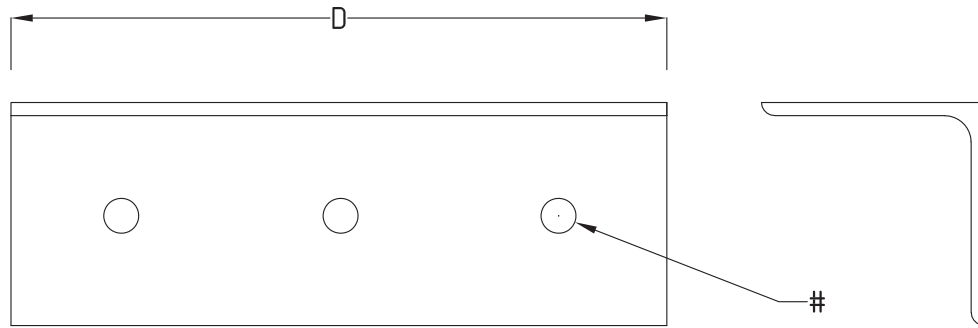
**gord** Telecom  
**GORD Telecom Towers**  
 129 Delta Park Blvd., Brampton  
 Ontario L6T 5M8, Canada  
 Tel. 905-791-5800, Fax. 905-791-3325  
[www.gordtelecom.com](http://www.gordtelecom.com)

TITLE :  
 L127x127 WALL BRACKET w/ Gusset

DRAWN BY	S.S.	SCALE:	REV DATE:	2014
CHK'D BY	S.S.	DWG. No.		REV
MANUF. APR	S.S.	WBG-127mm-GENERIC & COST		00
SALES. APR	J.S.			

PARTNUMBER	ANGLE	D (mm)	#
WBG5595350	L127x127x9.5	350	3 Holes
WBG5595400	L127x127x9.5	400	3 Holes
WBG5595500	L127x127x9.5	500	3 Holes
WBG5595600	L127x127x9.5	600	3 Holes
WBG5513400	L127x127x13	400	3 Holes
WBG5513500	L127x127x13	500	3 Holes
WBG5513600	L127x127x13	600	3 Holes

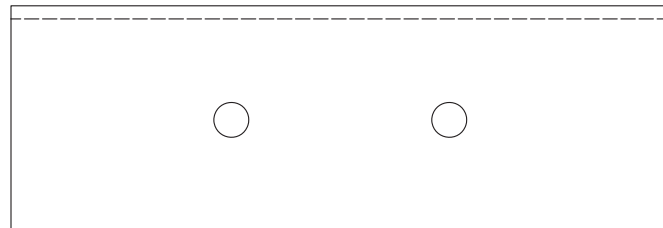
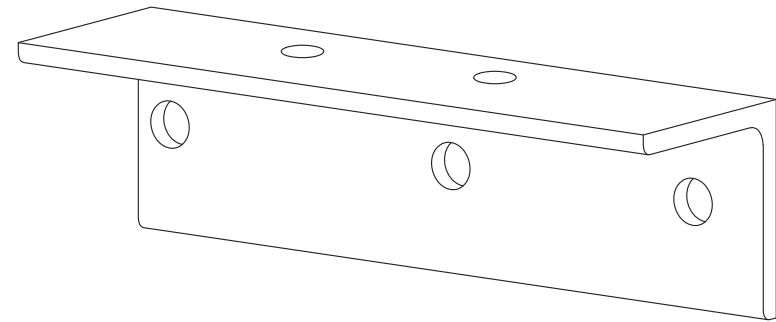
## L152x152 (6") Wall Brackets (WB)




These 152mmx152mm (6") wall brackets are used to secure the pipe bracket to the wall. The horizontal holes are spaced so that any size of pipe bracket may be fastened. All wall brackets come with either two or three holes for threaded rods. Threaded rods can either be chemically bonded to the wall or can be clamped using back plates. We recommend using atleast two wall brackets to secure the pipe.

Wall Brackets are designed for 16mm (5/8") Threaded Rods. Other sizes are available.

Please order Back Plates and Threaded Rods seperately

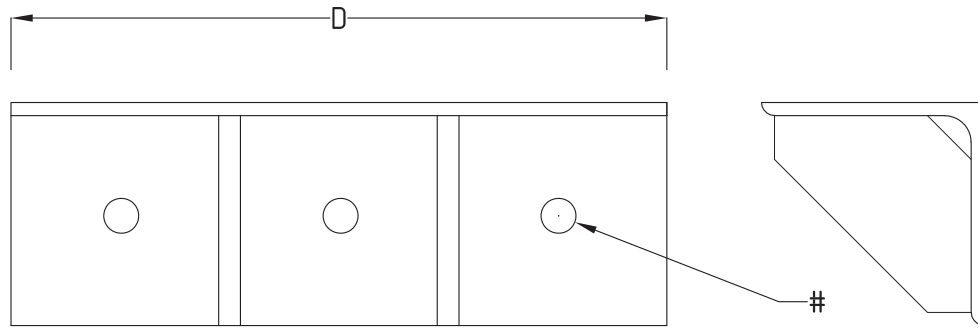


- NOTES :
- 1- MATERIAL: MIN. 300 MPa PER CAN/CSA-G40.21-92.
  - 2- ALL MEMBERS ARE HOT DIP GALVANIZED AFTER FABRICATION PER CAN/CSA G164-92.
  - 3- BOLTS ARE A-325 OR Gr-5 AS SPECIFIED.
  - 4- U-BOLTS ARE C-1018, MIN. 66KSI TENSILE STRENGTH, Gr-5 IS AVAILABLE.
  - 5- H.D. GALVANIZED THREADED RODS ARE B7, MIN. 120 KSI.
  - 6- STAINLESS BOLT/THREADED ROD PER ASTM-A193,TENSILE STR. MIN75 KSI.

 <b>GORD Telecom Towers</b> 129 Delta Park Blvd., Brampton Ontario L6T 5M8, Canada Tel. 905-791-5800, Fax. 905-791-3325 <a href="http://www.gordtelecom.com">www.gordtelecom.com</a>		TITLE :	
		L152x152 WALL BRACKET	
DRAWN BY	S.S.	SCALE:	REV DATE: 2016
CHK'D BY	S.S.	DWG. No.	REV
MANUF,APR	S.S.	WB-152mm-GENERIC & COST	
SALES,APR	J.S.	00	

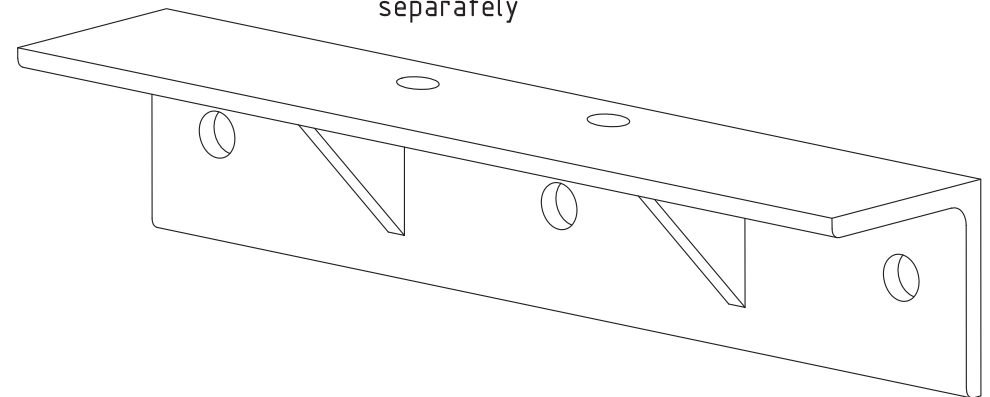
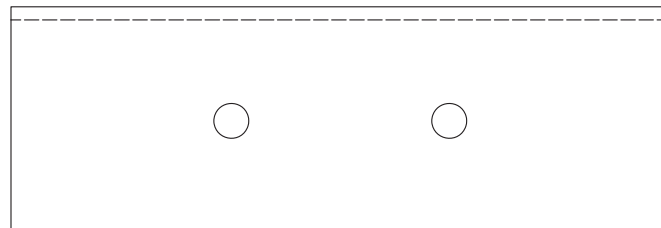
PART NUMBER	ANGLE	D (mm)	#
WB6695300	L152x152x9.5	300	3 Holes
WB6695400	L152x152x9.5	400	3 Holes
WB6695500	L152x152x9.5	500	3 Holes
WB6695600	L152x152x9.5	600	3 Holes
WB6613400	L152x152x13	400	3 Holes
WB6613500	L152x152x13	500	3 Holes
WB6613600	L152x152x13	600	3 Holes

## L152x152 (6") Wall Brackets with Gusset (WBG)



These 152mmx152mm (6") wall brackets are used to secure the pipe bracket to the wall. Two gussets are used to provide superior resistance against bending. The horizontal holes are spaced so that any size of pipe bracket may be fastened. All wall brackets come with either two or three holes for threaded rods. Threaded rods can either be chemically bonded to the wall or can be clamped using back plates. We recommend using at least two wall brackets to secure the pipe.

Please order Back Plates and Threaded Rods separately



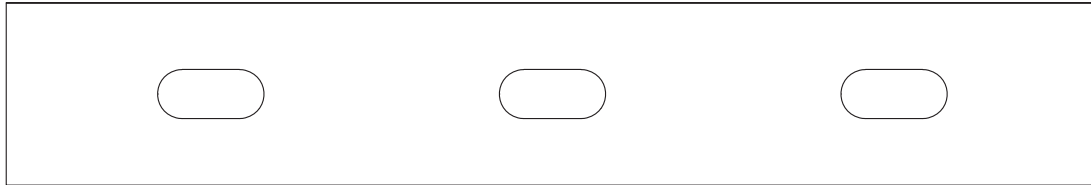
- NOTES :
- 1- MATERIAL: MIN. 300 MPa PER CAN/CSA-G40.21-92.
  - 2- ALL MEMBERS ARE HOT DIP GALVANIZED AFTER FABRICATION PER CAN/CSA G164-92.
  - 3- BOLTS ARE A-325 OR Gr.5 AS SPECIFIED.
  - 4- U-BOLTS ARE C-1018, MIN. 66KSI TENSILE STRENGTH; Gr.5 IS AVAILABLE.
  - 5- H.D. GALVANIZED THREADED RODS ARE B7, MIN. 120 KSI.
  - 6- STAINLESS BOLT/THREADED ROD PER ASTM-A193, TENSILE STR. MIN75 KSI.

**gord** Telecom  
**GORD Telecom Towers**  
 129 Delta Park Blvd., Brampton  
 Ontario L6T 5M8, Canada  
 Tel. 905-791-5800, Fax. 905-791-3325  
[www.gordtelecom.com](http://www.gordtelecom.com)

TITLE :  
 L152x152 WALL BRACKET w/ Gusset

DRAWN BY	S.S.	SCALE:	REV DATE:	2014
CHK'D BY	S.S.	DWG. No.		REV
MANUF, APR	S.S.	WBG-152mm-GENERIC & COST		00
SALES, APR	J.S.			

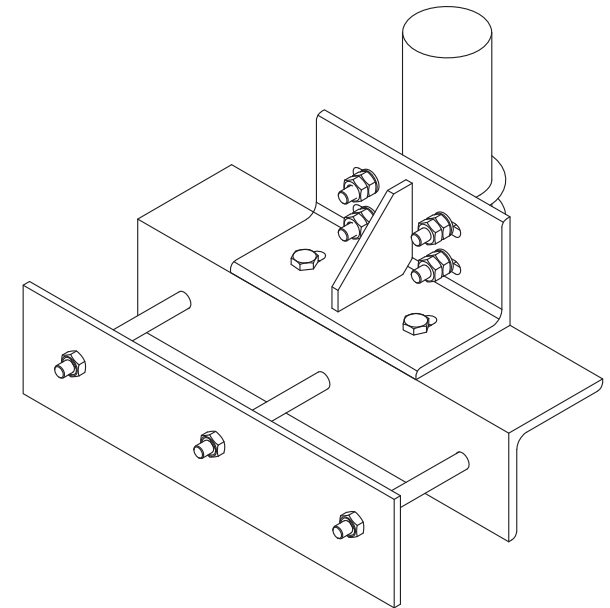
PART NUMBER	ANGLE	D (mm)	#
WBG6695350	L152x152x9.5	350	3 Holes
WBG6695400	L152x152x9.5	400	3 Holes
WBG6695500	L152x152x9.5	500	3 Holes
WBG6695600	L152x152x9.5	600	3 Holes
WBG6613400	L152x152x13	400	3 Holes
WBG6613500	L152x152x13	500	3 Holes
WBG6613600	L152x152x13	600	3 Holes



### Back Plate (BP)

These back plates (BP) are paired with our wall brackets (WB) to offer a secure connection to the wall. This is a great option when there is access behind the wall. The back plates come with oblong holes to allow for easier fitting.

Please order different Threaded Rods from the Hardware Section separately.



- NOTES:
- 1- MATERIAL: MIN. 300 MPa PER CAN/CSA-G40.21-92.
  - 2- ALL MEMBERS ARE HOT DIP GALVANIZED AFTER FABRICATION PER CAN/CSA G164-92.
  - 3- BOLTS ARE A-325 OR Gr.5 AS SPECIFIED.
  - 4- U-BOLTS ARE C-1018, MIN. 66KSI TENSILE STRENGTH, Gr.5 IS AVAILABLE.
  - 5- H.D. GALVANIZED THREADED RODS ARE B7, MIN. 120 KSI.
  - 6- STAINLESS BOLT/THREADED ROD PER ASTM-A193, TENSILE STR. MIN75 KSI.

**gord** Telecom  
**GORD Telecom Towers**  
 129 Delta Park Blvd., Brampton  
 Ontario L6T 5M8, Canada  
 Tel. 905-791-5800, Fax. 905-791-3325  
[www.gordtelecom.com](http://www.gordtelecom.com)

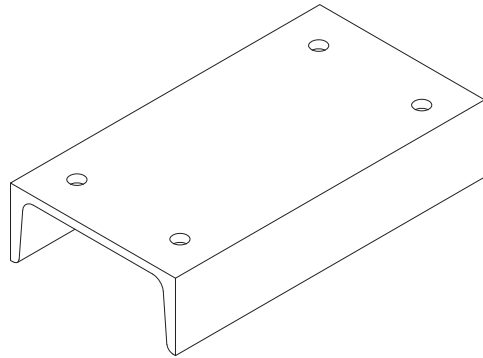
TITLE :			
Back Plate			
DRAWN BY	S.S.	SCALE:	REV DATE: 2016
CHK'D BY	S.S.	DWG. No.	REV
MANUF,APR	S.S.	Back Plate-Generic & Cost	
SALES,APR	J.S.		00

PART NUMBER	DESCRIPTION	THREADED ROD
BP152300	300mm Backer with Holes at 210mm c-c	N/A
BP152300-A	300mm Backer with Holes at 210mm c-c	5/8" x 18" Gr. B7
BP152300-B	300mm Backer with Holes at 210mm c-c	5/8" x 26" Gr. B7
BP152350	350mm Backer with Holes at 275mm c-c	N/A
BP152350-A	350mm Backer with Holes at 275mm c-c	5/8" x 18" Gr. B7
BP152350-B	350mm Backer with Holes at 275mm c-c	5/8" x 26" Gr. B7
BP152400	400mm Backer with Holes at 310mm c-c	N/A
BP152400-A	400mm Backer with Holes at 310mm c-c	5/8" x 18" Gr. B7
BP152400-B	400mm Backer with Holes at 310mm c-c	5/8" x 26" Gr. B7
BP152500	500mm Backer with Holes at 400mm c-c	N/A
BP152500-A	500mm Backer with Holes at 400mm c-c	5/8" x 18" Gr. B7
BP152500-B	500mm Backer with Holes at 400mm c-c	5/8" x 26" Gr. B7
BP152600	600mm Backer with Holes at 500mm c-c	N/A
BP152600-A	600mm Backer with Holes at 500mm c-c	5/8" x 18" Gr. B7
BP152600-B	600mm Backer with Holes at 500mm c-c	5/8" x 26" Gr. B7

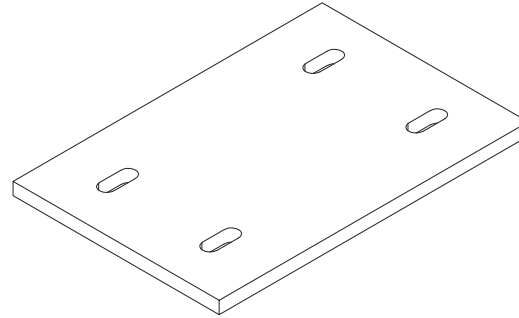
### Extension Plate or Channel

Extension plates provide an enhanced offset from the wall to the mounting pipe. This is helpful when mounting extra material on the pipe, or when obstructions such as over hanging ceilings are to be avoided.

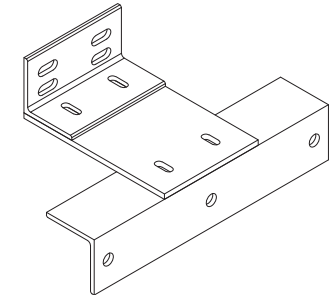
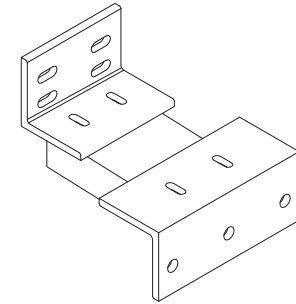
Bolting hardware is included.



EXCH200  
EXCH300




EXP200L  
EXP300L  
EXPLT200  
EXPLT300



- NOTES:
- 1- MATERIAL: MIN. 300 MPa PER CAN/CSA-G4.021-92.
  - 2- ALL MEMBERS ARE HOT DIP GALVANIZED AFTER FABRICATION PER CAN/CSA G164-92.
  - 3- BOLTS ARE A-325 OR Gr.5 AS SPECIFIED.
  - 4- U-BOLTS ARE C-1018, MIN. 66KSI TENSILE STRENGTH, Gr.5 IS AVAILABLE.
  - 5- H.D. GALVANIZED THREADED RODS ARE B7, MIN. 120 KSI.
  - 6- STAINLESS BOLT/THREADED ROD PER ASTM-A193, TENSILE STR. MIN75 KSI.

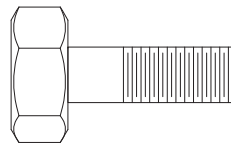
PART NUMBER	DESCRIPTION	EXTENSION FROM WALL(mm)
EXPL200L	200mm Extension Plate, 9.5mm Thick	200
EXPL300L	300mm Extension Plate, 9.5mm Thick	300
EXPLT200	200mm Extension Plate, 13mm Thick	200
EXPLT300	300mm Extension Plate, 13mm Thick	300
EXCH200	200mm Extension Channel	200
EXCH300	300mm Extension Channel	300

 <b>GORD Telecom Towers</b> 129 Delta Park Blvd., Brampton Ontario L6T 5M8, Canada Tel. 905-791-5800, Fax. 905-791-3325 <a href="http://www.gordtelecom.com">www.gordtelecom.com</a>	
TITLE :	
Extension Plate	
DRAWN BY S.S.	SCALE: REV DATE: 2014
CHK'D BY S.S.	DWG. No. REV
MANUF, APR S.S.	Extensions-Generic & Cost 00
SALES, APR J.S.	

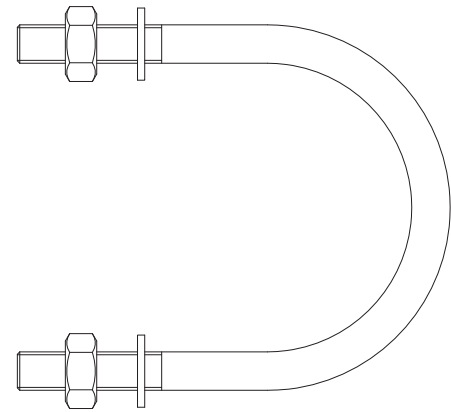
# Hardware



89510  
Pipe Cap  
Stop Bolt



12134

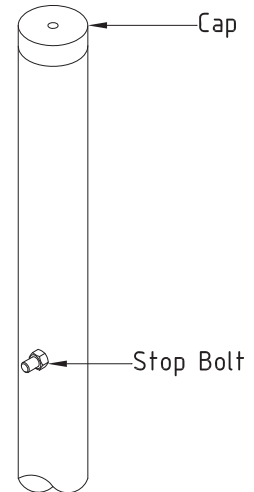


110257

# Galvanized Steel Pipe

## Galvanized Steel Pipe

Galvanized steel pipes come in A500 Grade C or 350W. Caps, Flanges and Stop Bolts can also be included.



PART #	PART DESCRIPTION
7351	HSS 73 x 5 x 1'
7352	HSS 73 x 5 x 2'
7353	HSS 73 x 5 x 3'
7354	HSS 73 x 5 x 4'
7355	HSS 73 x 5 x 5'
7356	HSS 73 x 5 x 6'
7357	HSS 73 x 5 x 7'
7358	HSS 73 x 5 x 8'
7359	HSS 73 x 5 x 9'
73510	HSS 73 x 5 x 10'
73511	HSS 73 x 5 x 11'
73512	HSS 73 x 5 x 12'
73513	HSS 73 x 5 x 13'
73514	HSS 73 x 5 x 14'
73515	HSS 73 x 5 x 15'
73516	HSS 73 x 5 x 16'
73517	HSS 73 x 5 x 17'
73518	HSS 73 x 5 x 18'
73519	HSS 73 x 5 x 19'
73520	HSS 73 x 5 x 20'
73521	HSS 73 x 5 x 21'

PART #	PART DESCRIPTION
8951	HSS 89 x 5 x 1'
8952	HSS 89 x 5 x 2'
8953	HSS 89 x 5 x 3'
8954	HSS 89 x 5 x 4'
8955	HSS 89 x 5 x 5'
8956	HSS 89 x 5 x 6'
8957	HSS 89 x 5 x 7'
8958	HSS 89 x 5 x 8'
8959	HSS 89 x 5 x 9'
89510	HSS 89 x 5 x 10'
89511	HSS 89 x 5 x 11'
89512	HSS 89 x 5 x 12'
89513	HSS 89 x 5 x 13'
89514	HSS 89 x 5 x 14'
89515	HSS 89 x 5 x 15'
89516	HSS 89 x 5 x 16'
89517	HSS 89 x 5 x 17'
89518	HSS 89 x 5 x 18'
89519	HSS 89 x 5 x 19'
89520	HSS 89 x 5 x 20'
89521	HSS 89 x 5 x 21'

PART #	PART DESCRIPTION
10251	HSS 102 x 5 x 1'
10252	HSS 102 x 5 x 2'
10253	HSS 102 x 5 x 3'
10254	HSS 102 x 5 x 4'
10255	HSS 102 x 5 x 5'
10256	HSS 102 x 5 x 6'
10257	HSS 102 x 5 x 7'
10258	HSS 102 x 5 x 8'
10259	HSS 102 x 5 x 9'
102510	HSS 102 x 5 x 10'
102511	HSS 102 x 5 x 11'
102512	HSS 102 x 5 x 12'
102513	HSS 102 x 5 x 13'
102514	HSS 102 x 5 x 14'
102515	HSS 102 x 5 x 15'
102516	HSS 102 x 5 x 16'
102517	HSS 102 x 5 x 17'
102518	HSS 102 x 5 x 18'
102519	HSS 102 x 5 x 19'
102520	HSS 102 x 5 x 20'
102521	HSS 102 x 5 x 21'

PART #	PART DESCRIPTION
11451	HSS 114 x 5 x 1'
11452	HSS 114 x 5 x 2'
11453	HSS 114 x 5 x 3'
11454	HSS 114 x 5 x 4'
11455	HSS 114 x 5 x 5'
11456	HSS 114 x 5 x 6'
11457	HSS 114 x 5 x 7'
11458	HSS 114 x 5 x 8'
11459	HSS 114 x 5 x 9'
114510	HSS 114 x 5 x 10'
114511	HSS 114 x 5 x 11'
114512	HSS 114 x 5 x 12'
114513	HSS 114 x 5 x 13'
114514	HSS 114 x 5 x 14'
114515	HSS 114 x 5 x 15'
114516	HSS 114 x 5 x 16'
114517	HSS 114 x 5 x 17'
114518	HSS 114 x 5 x 18'
114519	HSS 114 x 5 x 19'
114520	HSS 114 x 5 x 20'
114521	HSS 114 x 5 x 21'


PART #	PART DESCRIPTION
7361	HSS 73 x 6 x 1'
7362	HSS 73 x 6 x 2'
7363	HSS 73 x 6 x 3'
7364	HSS 73 x 6 x 4'
7365	HSS 73 x 6 x 5'
7366	HSS 73 x 6 x 6'
7367	HSS 73 x 6 x 7'
7368	HSS 73 x 6 x 8'
7369	HSS 73 x 6 x 9'
73610	HSS 73 x 6 x 10'
73611	HSS 73 x 6 x 11'
73612	HSS 73 x 6 x 12'
73613	HSS 73 x 6 x 13'
73614	HSS 73 x 6 x 14'
73615	HSS 73 x 6 x 15'
73616	HSS 73 x 6 x 16'
73617	HSS 73 x 6 x 17'
73618	HSS 73 x 6 x 18'
73619	HSS 73 x 6 x 19'
73620	HSS 73 x 6 x 20'
73621	HSS 73 x 6 x 21'

PART #	PART DESCRIPTION
8961	HSS 89 x 6 x 1'
8962	HSS 89 x 6 x 2'
8963	HSS 89 x 6 x 3'
8964	HSS 89 x 6 x 4'
8965	HSS 89 x 6 x 5'
8966	HSS 89 x 6 x 6'
8967	HSS 89 x 6 x 7'
8968	HSS 89 x 6 x 8'
8969	HSS 89 x 6 x 9'
89610	HSS 89 x 6 x 10'
89611	HSS 89 x 6 x 11'
89612	HSS 89 x 6 x 12'
89613	HSS 89 x 6 x 13'
89614	HSS 89 x 6 x 14'
89615	HSS 89 x 6 x 15'
89616	HSS 89 x 6 x 16'
89617	HSS 89 x 6 x 17'
89618	HSS 89 x 6 x 18'
89619	HSS 89 x 6 x 19'
89620	HSS 89 x 6 x 20'
89621	HSS 89 x 6 x 21'

PART #	PART DESCRIPTION
10261	HSS 102 x 6 x 1'
10262	HSS 102 x 6 x 2'
10263	HSS 102 x 6 x 3'
10264	HSS 102 x 6 x 4'
10265	HSS 102 x 6 x 5'
10266	HSS 102 x 6 x 6'
10267	HSS 102 x 6 x 7'
10268	HSS 102 x 6 x 8'
10269	HSS 102 x 6 x 9'
102610	HSS 102 x 6 x 10'
102611	HSS 102 x 6 x 11'
102612	HSS 102 x 6 x 12'
102613	HSS 102 x 6 x 13'
102614	HSS 102 x 6 x 14'
102615	HSS 102 x 6 x 15'
102616	HSS 102 x 6 x 16'
102617	HSS 102 x 6 x 17'
102618	HSS 102 x 6 x 18'
102619	HSS 102 x 6 x 19'
102620	HSS 102 x 6 x 20'
102621	HSS 102 x 6 x 21'

PART #	PART DESCRIPTION
11461	HSS 114 x 6 x 1'
11462	HSS 114 x 6 x 2'
11463	HSS 114 x 6 x 3'
11464	HSS 114 x 6 x 4'
11465	HSS 114 x 6 x 5'
11466	HSS 114 x 6 x 6'
11467	HSS 114 x 6 x 7'
11468	HSS 114 x 6 x 8'
11469	HSS 114 x 6 x 9'
114610	HSS 114 x 6 x 10'
114611	HSS 114 x 6 x 11'
114612	HSS 114 x 6 x 12'
114613	HSS 114 x 6 x 13'
114614	HSS 114 x 6 x 14'
114615	HSS 114 x 6 x 15'
114616	HSS 114 x 6 x 16'
114617	HSS 114 x 6 x 17'
114618	HSS 114 x 6 x 18'
114619	HSS 114 x 6 x 19'
114620	HSS 114 x 6 x 20'
114621	HSS 114 x 6 x 21'

PART #	PART DESCRIPTION
PIPECAP	PIPE CAP
STOPBOLT	STOP BOLT

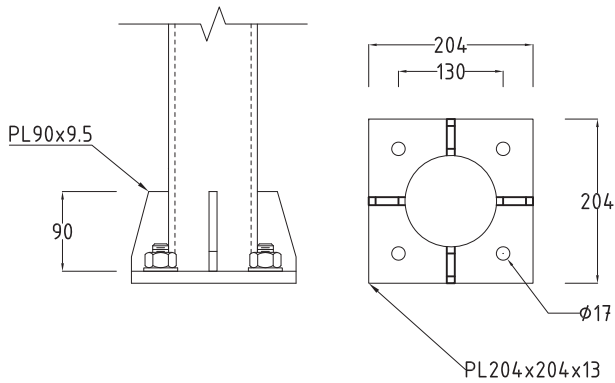
 <b>GORD Telecom Towers</b> 129 Delta Park Blvd., Brampton Ontario L6T 5M8, Canada Tel. 905-791-5800, Fax. 905-791-3325 www.gordtelecom.com			
CUSTOMER: -			
TITLE :  Steel Pipe			
DRAWN BY	S.S.	SCALE:	REV DATE: 2014
CHK'D BY	S.S.	DWG. No.	REV
MANUF. APR	J.SH.	Pipe-Generic & Cost	
SALES. APR			00

# Flanged Steel Pipe

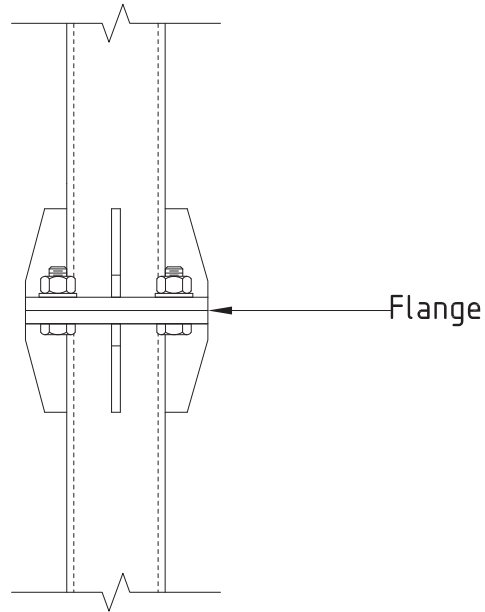
## Flanged Steel Pipe

Flanged steel pipes come in A500 Grade C or 350W. Flanges allow the pipe to fit in tight spaces such as service elevators, allowing you to avoid the use of cranes. Pipe caps and stop bolts also available.

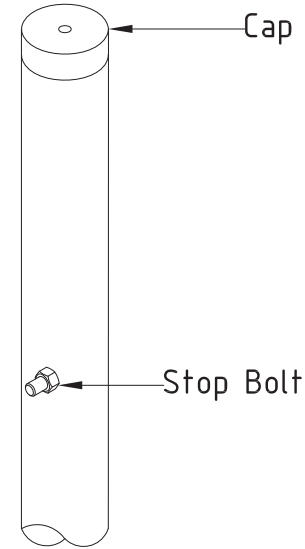
Flanges are typically PL204x204x13 with 9.5mm gussets and are able to support 5/8" A325 Bolts.



Flange Details



Flanged Pipe



Stopper & Cap


PART #	PART DESCRIPTION
7366F	HSS 73 x 6 x 6'
7367F	HSS 73 x 6 x 7'
7368F	HSS 73 x 6 x 8'
7369F	HSS 73 x 6 x 9'
73610F	HSS 73 x 6 x 10'

PART #	PART DESCRIPTION
8966F	HSS 89 x 6 x 6'
8967F	HSS 89 x 6 x 7'
8968F	HSS 89 x 6 x 8'
8969F	HSS 89 x 6 x 9'
89610F	HSS 89 x 6 x 10'

PART #	PART DESCRIPTION
10266F	HSS 102 x 6 x 6'
10267F	HSS 102 x 6 x 7'
10268F	HSS 102 x 6 x 8'
10269F	HSS 102 x 6 x 9'
102610F	HSS 102 x 6 x 10'

PART #	PART DESCRIPTION
11466F	HSS 114 x 6 x 6'
11467F	HSS 114 x 6 x 7'
11468F	HSS 114 x 6 x 8'
11469F	HSS 114 x 6 x 9'
114610F	HSS 114 x 6 x 10'

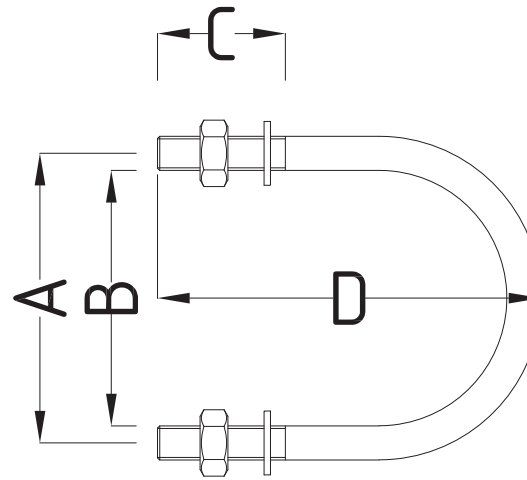
PART #	PART DESCRIPTION
PIPECAP	PIPE CAP
STOPBOLT	STOP BOLT

 <b>GORD Telecom Towers</b> 129 Delta Park Blvd., Brampton Ontario L6T 5M8, Canada Tel. 905-791-5800, Fax. 905-791-3325 www.gordtelecom.com			
CUSTOMER: -			
TITLE :  Flanged Steel Pipe			
DRAWN BY	S.S.	SCALE:	REV DATE: 2020
CHK'D BY	S.S.	DWG. No.	REV
MANUF. APR	J.SH.	Flange Pipe—Generic & Cost	
SALES. APR			00



## 3/8" U-Bolt Assemblies

Part Number	U-Bolt Description	Pipe Size (Metric)	A (mm)	B (mm)	C (mm)	D (mm)
110247	3/8" x 19mm U-Bolt	19mm (3/4")	32	22	32	51
111115	3/8" x 29mm U-Bolt	29mm (1 1/4")	38	29	32	49
110249	3/8" x 43mm U-Bolt	43mm (1 11/16")	52	43	51	76
110251	3/8" x 51mm U-Bolt	51mm (2")	60	51	64	100
110252	3/8" x 61mm U-Bolt	61mm (2 3/8")	72	62	64	113



## U-Bolt Assembly

U-Bolt Assemblies come with (2) Nuts, (2) Lock Washers and (2) Flat Washers OR (4) Nuts, (2) Flat Washers.


Sold in sets of 10

## 1/2" U-Bolt Assemblies

Part Number	U-Bolt Description	Pipe Size (Metric)	A (mm)	B (mm)	C (mm)	D (mm)
110465	1/2" x 25mm U-Bolt	25mm (1")	40	27	55	75
110623	1/2" x 31mm U-Bolt	31mm (1 1/4")	44	31	35	65
110520	1/2" x 38mm U-Bolt	38mm (1 1/2")	51	38	55	90
110254	1/2" x 43mm U-Bolt	43mm (1 11/16")	56	43	60	95
111140	1/2" x 45mm U-Bolt	45mm (1 3/4")	58	45	60	95
110680	1/2" x 47mm U-Bolt	47mm (1 7/8")	60	47	65	100
110255	1/2" x 51mm U-Bolt	51mm (2")	70	57	60	108
110256	1/2" x 64mm U-Bolt	64mm (2 3/8")	76	64	64	121
110257	1/2" x 73mm U-Bolt	73mm (2 7/8")	87	75	75	132
110258	1/2" x 89mm U-Bolt	89mm (3 1/2")	103	90	75	146
110259	1/2" x 102mm U-Bolt	102mm (4")	116	105	80	146
110260	1/2" x 114mm U-Bolt	114mm (4 1/2")	128	116	75	172

## 5/8" U-Bolt Assemblies

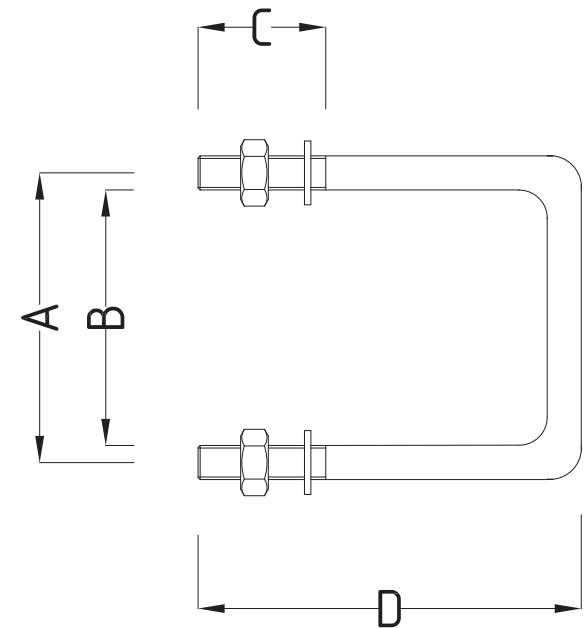
Part Number	U-Bolt Description	Pipe Size (Metric)	A (mm)	B (mm)	C (mm)	D (mm)
111020	5/8" x 38mm U-Bolt	38mm (1 1/2")	58	42	65	90
1110407	5/8" x 44mm U-Bolt	44mm (1 3/4")	64	48	65	98
110991	5/8" x 51mm U-Bolt	51mm (2")	70	54	65	104
110992	5/8" x 57mm U-Bolt	57mm (2 1/4")	76	60	65	110
110993	5/8" x 64mm U-Bolt	64mm (2 3/8")	84	68	65	118
111175	5/8" x 73mm U-Bolt	73mm (2 7/8")	91	75	65	126
110592	5/8" x 89mm U-Bolt	89mm (3 1/2")	108	92	65	142
110266	5/8" x 102mm U-Bolt	102mm (4")	122	106	65	155
110268	5/8" x 114mm U-Bolt	114mm (4 1/2")	132	116	75	165
110270	5/8" x 127mm U-Bolt	127mm (5")	146	130	65	180
110272	5/8" x 140mm U-Bolt	140mm (5 1/2")	160	144	65	194
110274	5/8" x 152mm U-Bolt	152mm (6")	172	156	65	205
110276	5/8" x 165mm U-Bolt	165mm (6 1/2")	184	168	65	218

 GORD Telecom Towers 129 Delta Park Blvd., Brampton Ontario L6T 5M8, Canada Tel. 905-791-5800, Fax. 905-791-3325 www.gordtelecom.com			
CUSTOMER: -			
TITLE : U-BOLT TABLE			
DRAWN BY	S.S.	SCALE:	REV DATE: 2016
CHK'D BY	S.S.	DWG. No.	REV
MANUF. APR	J.SH.	U-Bolt Table	
SALES. APR			00

## Square U-Bolt Assembly


Square U-Bolt Assemblies come with (2) Nuts, (2) Lock Washers and (2) Flat Washers OR (4) Nuts, (2) Flat Washers.

Sold in sets of 10



## 1/2" Square U-Bolt Assemblies

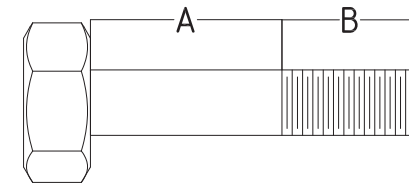
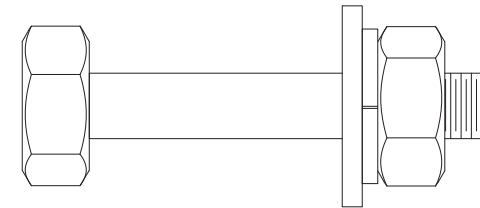
Part Number	Pipe Size (Metric)	Pipe Size (Imperial)	A (mm)	B (mm)	C (mm)	D (mm)	Square U-Bolt Description
SQ76	76	3"	91	78	76	164	1/2" x 76mm Square U-Bolt
SQ89	89	3 1/2"	104	91	76	177	1/2" x 89mm Square U-Bolt
SQ102	102	4"	117	104	76	190	1/2" x 102mm Square U-Bolt
SQ114	114	4 1/2"	129	116	76	202	1/2" x 114mm Square U-Bolt

		GORD Telecom Towers 129 Delta Park Blvd., Brampton Ontario L6T 5M8, Canada Tel. 905-791-5800, Fax. 905-791-3325 www.gordtelecom.com	
		CUSTOMER: -	
TITLE : SQUARE U-BOLT TABLE			
DRAWN BY	S.S.	SCALE:	REV DATE: 2020
CHK'D BY	S.S.	DWG. No.	REV
MANUF. APR	J.SH.	U-Bolt-Square	
SALES. APR			00

## A325 Bolt Assembly

A325 Bolts Assemblies come with (1) Nut, (1) Lock Washer, (1) Flat Washer. All material is Hot Dip Galvanized.


Sold in bags of 10.



PART NUMBER	PART DESCRIPTION	A	B
12114	1/2" x 1 1/4" A325 Bolt	6	25
12112	1/2" x 1 1/2" A325 Bolt	13	25
12134	1/2" x 1 3/4" A325 Bolt	19	25
12200	1/2" x 2" A325 Bolt	25	25
12212	1/2" x 2 1/2" A325 Bolt	38	25
12300	1/2" x 3" A325 Bolt	51	25
12312	1/2" x 3 1/2" A325 Bolt	63	25

PART NUMBER	PART DESCRIPTION	A	B
58134	5/8" x 1 3/4" A325 Bolt	13	31
58200	5/8" x 2" A325 Bolt	20	31
58214	5/8" x 2 1/4" A325 Bolt	26	31
58212	5/8" x 2 1/2" A325 Bolt	32	31
58234	5/8" x 2 3/4" A325 Bolt	38	31
58300	5/8" x 3" A325 Bolt	45	31
58314	5/8" x 3 1/4" A325 Bolt	51	31
58312	5/8" x 3 1/2" A325 Bolt	63	31

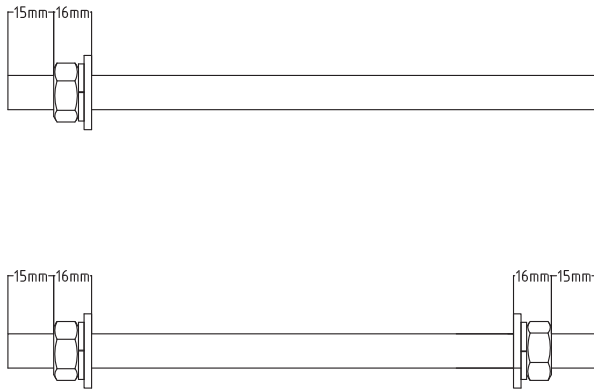
PART NUMBER	PART DESCRIPTION	A	B
34214	3/4" x 2 1/4" A325 Bolt	19	38
34212	3/4" x 2 1/2" A325 Bolt	25	38
34234	3/4" x 2 3/4" A325 Bolt	31	38
34300	3/4" x 3" A325 Bolt	38	38
34314	3/4" x 3 1/4" A325 Bolt	44	38

 <b>GORD Telecom Towers</b> 129 Delta Park Blvd., Brampton Ontario L6T 5M8, Canada Tel. 905-791-5800, Fax. 905-791-3325 www.gordtelecom.com			
CUSTOMER: -			
TITLE : A325 Bolt Assembly			
DRAWN BY	S.A	SCALE:	REV DATE: 2014
CHK'D BY	S.S.	DWG. No.	REV
MANUF. APR	J.SH.	A325 Bolt-Generic & Cost	
SALES. APR			00

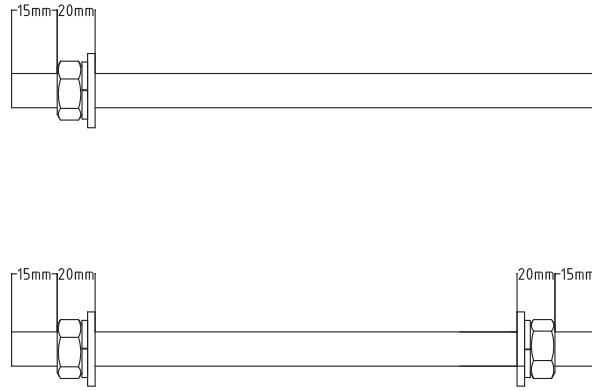
### Threaded Rod

Galvanized Threaded Rods are available in Grade B7 (125min Tensile KSI). Stainless Steel Threaded Rods are available in Grade B8 Class 2 (125min Tensile KSI)

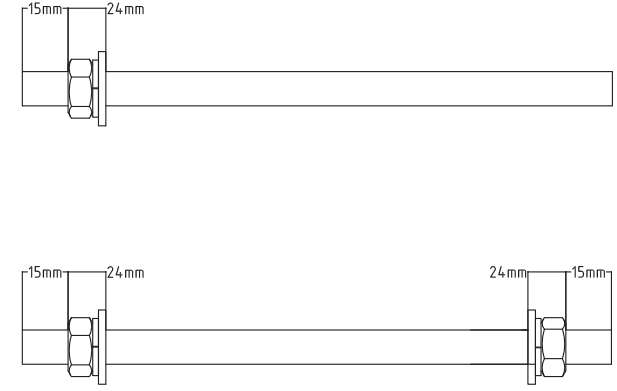
1/2" Threaded Rod



5/8" Threaded Rod




3/4" Threaded Rod



PART NUMBER	PART DESCRIPTION
12200TG	1/2" x 8" (200mm) Galvanized Threaded Rod
12330TG	1/2" x 13" (330mm) Galvanized Threaded Rod
12460TG	1/2" x 18" (460mm) Galvanized Threaded Rod
12610TG	1/2" x 24" (610mm) Galvanized Threaded Rod
12760TG	1/2" x 30" (760mm) Galvanized Threaded Rod
12915TG	1/2" x 36" (915mm) Galvanized Threaded Rod
121070TG	1/2" x 42" (1070mm) Galvanized Threaded Rod
58200TG	5/8" x 8" (200mm) Galvanized Threaded Rod
58330TG	5/8" x 13" (330mm) Galvanized Threaded Rod
58460TG	5/8" x 18" (460mm) Galvanized Threaded Rod
58610TG	5/8" x 24" (610mm) Galvanized Threaded Rod
58760TG	5/8" x 30" (760mm) Galvanized Threaded Rod
58915TG	5/8" x 36" (915mm) Galvanized Threaded Rod
581070TG	5/8" x 42" (1070mm) Galvanized Threaded Rod
34610TG	3/4" x 24" (610mm) Galvanized Threaded Rod
34760TG	3/4" x 30" (760mm) Galvanized Threaded Rod
34915TG	3/4" x 36" (915mm) Galvanized Threaded Rod
341070TG	3/4" x 42" (1070mm) Galvanized Threaded Rod

PART NUMBER	PART DESCRIPTION
12200TS	1/2" x 8" (200mm) Stainless Steel Threaded Rod
12330TS	1/2" x 13" (330mm) Stainless Steel Threaded Rod
12460TS	1/2" x 18" (460mm) Stainless Steel Threaded Rod
12610TS	1/2" x 24" (610mm) Stainless Steel Threaded Rod
12760TS	1/2" x 30" (760mm) Stainless Steel Threaded Rod
12915TS	1/2" x 36" (915mm) Stainless Steel Threaded Rod
121070TS	1/2" x 42" (1070mm) Stainless Steel Threaded Rod
58200TS	5/8" x 8" (200mm) Stainless Steel Threaded Rod
58330TS	5/8" x 13" (330mm) Stainless Steel Threaded Rod
58460TS	5/8" x 18" (460mm) Stainless Steel Threaded Rod
58610TS	5/8" x 24" (610mm) Stainless Steel Threaded Rod
58760TS	5/8" x 30" (760mm) Stainless Steel Threaded Rod
58915TS	5/8" x 36" (915mm) Stainless Steel Threaded Rod
581070TS	5/8" x 42" (1070mm) Stainless Steel Threaded Rod
34610TS	3/4" x 24" (610mm) Stainless Steel Threaded Rod
34760TS	3/4" x 30" (760mm) Stainless Steel Threaded Rod
34915TS	3/4" x 36" (915mm) Stainless Steel Threaded Rod
341070TS	3/4" x 42" (1070mm) Stainless Steel Threaded Rod

 <b>GORD Telecom Towers</b> 129 Delta Park Blvd., Brampton Ontario L6T 5M8, Canada Tel. 905-791-5800, Fax. 905-791-3325 www.gordtelecom.com			
CUSTOMER: -			
TITLE :  Threaded Rod			
DRAWN BY	S.S.	SCALE:	REV DATE: 2014
CHK'D BY	S.S.	DWG. No.	REV
MANUF. APR	J.SH.	Threaded Rod-Generic & Cost	
SALES. APR			00

# Information

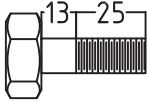
# A325 Bolt Information

A325 Bolts are partially threaded and have a 120 min. ksi tensile strength. All bolts are Hot-Dip Galvanized and come with nut, lock washer, flat washer.

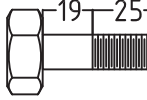
Please order bolts in the Hardware section.

## 1/2" A325 Bolt

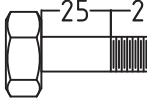
1/2" x 1 1/2"



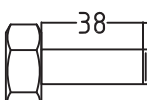
1/2" x 1 3/4"



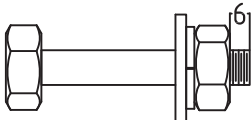
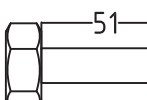
1/2" x 2"



1/2" x 2 1/2"



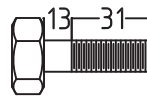
1/2" x 3"



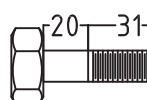
12mm Nut  
4mm Lock Washer  
3mm Flat Washer

## 5/8" A325 Bolt

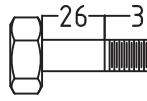
5/8" x 1 3/4"



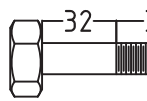
5/8" x 2"



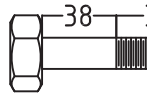
5/8" x 2 1/4"



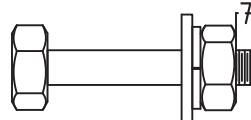
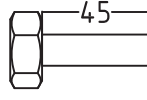
5/8" x 2 1/2"



5/8" x 2 3/4"



5/8" x 3"



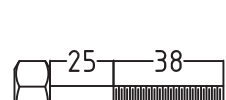
16mm Nut  
4mm Lock Washer  
3mm Flat Washer

## 3/4" A325 Bolt

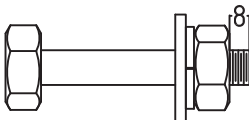
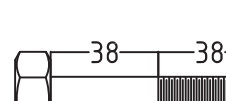
3/4" x 2 1/4"



3/4" x 2 1/2"



3/4" x 3"



18mm Nut  
5mm Lock Washer  
3mm Flat Washer

- NOTES :
- 1- MATERIAL: MIN. 300 MPa PER CAN/CSA-G4021-92
  - 2- ALL MEMBERS ARE HOT DIP GALVANIZED AFTER FABRICATION PER CAN/CSA G164-92.
  - 3- BOLTS ARE A-325 OR Gr.5 AS SPECIFIED.
  - 4- U-BOLTS ARE C-1018, MIN. 66KSI TENSILE STRENGTH; Gr.5 IS AVAILABLE.
  - 5- H.D. GALVANIZED THREADED RODS ARE B7, MIN. 120 KSI.
  - 6- STAINLESS BOLT/THREADED ROD PER ASTM-A193,TENSILE STR. MIN75 KSI.

**gord Telecom** GORD Telecom Towers  
129 Delta Park Blvd., Brampton  
Ontario L6T 5M8, Canada  
Tel. 905-791-5800, Fax. 905-791-3325  
www.gordtelecom.com

TITLE :			
A325 Bolt Information			
DRAWN BY	S.S.	SCALE:	REV DATE: 2014
CHK'D BY	S.S.	DWG. No.	REV
MANUF,APR	S.S.	A325 Info-GENERIC & COST	
SALES,APR	J.S.		00

## 1/2" A325 Bolt - Flat Washer, Lock Washer, Nut Combination

	3.2	4.8	6.4	7.9	9.5	11	13	16	19	22	25
3.2	1 1/2"	1 1/2"	1 1/2"	1 3/4"	1 3/4"	1 3/4"	1 3/4"	2"	2"	2" <sup>1</sup>	2 1/2" <sup>2</sup>
4.8	1 1/2"	1 1/2"	1 3/4"	1 3/4"	1 3/4"	1 3/4"	1 3/4"	2"	2"	2"	2 1/2"
6.4	1 1/2"	1 3/4"	1 3/4"	1 3/4"	1 3/4"	1 3/4"	2"	2"	2"	2 1/2" <sup>2</sup>	2 1/2"
7.9	1 3/4"	1 3/4"	1 3/4"	1 3/4"	1 3/4"	2"	2"	2"	2 1/2" <sup>2</sup>	2 1/2"	2 1/2"
9.5	1 3/4"	1 3/4"	1 3/4"	1 3/4"	2"	2"	2"	2" <sup>1</sup>	2 1/2" <sup>2</sup>	2 1/2"	2 1/2"
11	1 3/4"	1 3/4"	1 3/4"	2"	2"	2"	2"	2 1/2" <sup>2</sup>	2 1/2"	2 1/2"	2 1/2"
13	1 3/4"	1 3/4"	2"	2"	2"	2"	2" <sup>1</sup>	2 1/2" <sup>2</sup>	2 1/2"	2 1/2"	2 1/2"
16	2"	2"	2"	2"	2" <sup>1</sup>	2 1/2" <sup>2</sup>	2 1/2" <sup>2</sup>	2 1/2"	2 1/2"	2 1/2"	3"
19	2"	2"	2"	2 1/2" <sup>2</sup>	2 1/2" <sup>2</sup>	2 1/2"	2 1/2"	2 1/2"	2 1/2"	3"	3"
22	2" <sup>1</sup>	2"	2 1/2" <sup>2</sup>	2 1/2"	2 1/2"	2 1/2"	2 1/2"	2 1/2"	3"	3"	3"
25	2 1/2" <sup>2</sup>	2 1/2"	2 1/2"	2 1/2"	2 1/2"	2 1/2"	2 1/2"	3"	3"	3"	3"

1. Slightly Too Short
2. Add Extra (1) Flat Washer (Min. 3mm Thickness)
3. Use Threaded Rod

## 5/8" A325 Bolt - Flat Washer, Lock Washer, Nut Combination

	3.2	4.8	6.4	7.9	9.5	11	13	16	19	22	25
3.2	1 3/4"	1 3/4"	1 3/4"	1 3/4"	1 3/4"	2"	2"	2"	2 1/4"	2 1/2"	2 1/2"
4.8	1 3/4"	1 3/4"	1 3/4"	1 3/4"	2"	2"	2"	2 1/4"	2 1/4"	2 1/2"	2 1/2"
6.4	1 3/4"	1 3/4"	1 3/4"	2"	2"	2"	2"	2 1/4"	2 1/4"	2 1/2"	2 1/2"
7.9	1 3/4"	1 3/4"	2"	2"	2"	2"	2 1/4"	2 1/4"	2 1/2"	2 1/2"	2 3/4"
9.5	1 3/4"	2"	2"	2"	2"	2 1/4"	2 1/4"	2 1/4"	2 1/2"	2 1/2"	2 3/4"
11	2"	2"	2"	2"	2 1/4"	2 1/4"	2 1/4"	2 1/2"	2 1/2"	2 3/4"	2 3/4"
13	2"	2"	2"	2 1/4"	2 1/4"	2 1/4"	2 1/2"	2 1/2"	2 1/2"	2 3/4"	2 3/4"
16	2"	2 1/4"	2 1/4"	2 1/4"	2 1/4"	2 1/2"	2 1/2"	2 1/2"	2 3/4"	2 3/4"	3"
19	2 1/4"	2 1/4"	2 1/4"	2 1/2"	2 1/2"	2 1/2"	2 1/2"	2 3/4"	2 3/4"	3"	3"
22	2 1/2"	2 1/2"	2 1/2"	2 1/2"	2 1/2"	2 3/4"	2 3/4"	2 3/4"	3"	3"	3" <sup>1</sup>
25	2 1/2"	2 1/2"	2 1/2"	2 3/4"	2 3/4"	2 3/4"	2 3/4"	3"	3"	3" <sup>1</sup>	None <sup>3</sup>

1. Slightly Too Short
2. Add Extra (1) Flat Washer (Min. 3mm Thickness)
3. Use Threaded Rod



### 3/4" A325 Bolt - Flat Washer, Lock Washer, Nut Combination

	3.2	4.8	6.4	7.9	9.5	11	13	16	19	22	25
3.2	None	None	2 1/4" <sup>2</sup>	2 1/4" <sup>2</sup>	2 1/4"	2 1/4"	2 1/4"	2 1/4"	2 1/4"	2 1/2"	2 1/2"
4.8	None	2 1/4" <sup>2</sup>	2 1/4" <sup>2</sup>	2 1/4"	2 1/4"	2 1/4"	2 1/4"	2 1/4"	2 1/2"	2 1/2"	3" <sup>2</sup>
6.4	2 1/4" <sup>2</sup>	2 1/4" <sup>2</sup>	2 1/4"	2 1/4"	2 1/4"	2 1/4"	2 1/4"	2 1/4"	2 1/2"	2 1/2"	3"
7.9	2 1/4" <sup>2</sup>	2 1/4"	2 1/4"	2 1/4"	2 1/4"	2 1/4"	2 1/4"	2 1/2"	2 1/2"	3" <sup>2</sup>	3"
9.5	2 1/4"	2 1/4"	2 1/4"	2 1/4"	2 1/4"	2 1/4"	2 1/4"	2 1/2"	2 1/2"	3"	3"
11	2 1/4"	2 1/4"	2 1/4"	2 1/4"	2 1/4"	2 1/4"	2 1/2"	2 1/2"	3" <sup>2</sup>	3"	3"
13	2 1/4"	2 1/4"	2 1/4"	2 1/4"	2 1/4"	2 1/2"	2 1/2"	2 1/2"	3"	3"	3"
16	2 1/4"	2 1/4"	2 1/4"	2 1/2"	2 1/2"	2 1/2"	2 1/2"	3"	3"	3"	3"
19	2 1/4"	2 1/2"	2 1/2"	2 1/2"	2 1/2"	3" <sup>2</sup>	3"	3"	3"	3"	None <sup>3</sup>
22	2 1/2"	2 1/2"	2 1/2"	3" <sup>2</sup>	3"	3"	3"	3"	3"	None <sup>3</sup>	None <sup>3</sup>
25	2 1/2"	3" <sup>2</sup>	3"	3"	3"	3"	3"	3"	None <sup>3</sup>	None <sup>3</sup>	None <sup>3</sup>

1. Slightly Too Short
2. Add Extra (1) Flat Washer (Min. 3mm Thickness)
3. Use Threaded Rod

## 1/2" A325 Bolt - Flat Washer, Double Nut Combination

	3.2	4.8	6.4	7.9	9.5	11	13	16	19	22	25
3.2	1 1/2" <sup>1 2</sup>	1 1/2" <sup>1</sup>	1 1/2" <sup>1</sup>	1 1/2" <sup>1</sup>	1 3/4" <sup>1 2</sup>	1 3/4" <sup>1</sup>	1 3/4" <sup>1</sup>	2" <sup>1 2</sup>	2" <sup>1</sup>	2 1/4" <sup>1 2</sup>	2 1/4" <sup>1</sup>
4.8	1/2" <sup>1 2</sup>	1 1/2" <sup>1</sup>	1 3/4" <sup>1 2</sup>	1 3/4" <sup>1 2</sup>	1 3/4" <sup>1</sup>	1 3/4" <sup>1</sup>	2" <sup>1 2</sup>	2" <sup>1</sup>	2 1/4" <sup>1 2</sup>	2 1/4" <sup>1</sup>	2 1/2" <sup>1 2</sup>
6.4	1/2" <sup>1</sup>	1 3/4" <sup>1 2</sup>	1 3/4" <sup>1 2</sup>	1 3/4" <sup>1 2</sup>	1 3/4" <sup>1</sup>	2" <sup>1 2</sup>	2" <sup>1 2</sup>	2" <sup>1</sup>	2 1/4" <sup>1 2</sup>	2 1/4" <sup>1</sup>	2 1/2" <sup>1 2</sup>
7.9	1 1/2" <sup>1</sup>	1 3/4" <sup>1 2</sup>	1 3/4" <sup>1 2</sup>	1 3/4" <sup>1</sup>	1 3/4" <sup>1</sup>	2" <sup>1 2</sup>	2" <sup>1</sup>	2 1/4" <sup>1 2</sup>	2 1/4" <sup>1</sup>	2 1/4" <sup>1</sup>	2 1/2" <sup>1</sup>
9.5	1 3/4" <sup>1 2</sup>	1 3/4" <sup>1</sup>	1 3/4" <sup>1</sup>	1 3/4" <sup>1</sup>	2" <sup>1 2</sup>	2" <sup>1</sup>	2" <sup>1</sup>	2 1/4" <sup>1 2</sup>	2 1/4" <sup>1</sup>	2 1/4" <sup>1 2</sup>	2 1/2" <sup>1</sup>
11	1 3/4" <sup>1</sup>	1 3/4" <sup>1</sup>	2" <sup>1 2</sup>	2" <sup>1 2</sup>	2" <sup>1</sup>	2" <sup>1</sup>	2 1/4" <sup>1 2</sup>	2 1/4" <sup>1</sup>	2 1/2" <sup>1 2</sup>	2 1/2" <sup>1</sup>	2 3/4" <sup>1 2</sup>
13	1 3/4" <sup>1</sup>	2" <sup>1 2</sup>	2" <sup>1 2</sup>	2" <sup>1</sup>	2" <sup>1</sup>	2 1/4" <sup>1 2</sup>	2 1/4" <sup>1</sup>	2 1/4" <sup>1</sup>	2 1/2" <sup>1 2</sup>	2 1/2" <sup>1</sup>	2 3/4" <sup>1 2</sup>
16	2" <sup>1 2</sup>	2" <sup>1</sup>	2" <sup>1</sup>	2 1/4" <sup>1 2</sup>	2 1/4" <sup>1 2</sup>	2 1/4" <sup>1</sup>	2 1/4" <sup>1</sup>	2 1/2" <sup>1 2</sup>	2 1/2" <sup>1</sup>	2 3/4" <sup>1 2</sup>	2 3/4" <sup>1</sup>
19	2" <sup>1</sup>	2 1/4" <sup>1 2</sup>	2 1/4" <sup>1 2</sup>	2 1/4" <sup>1</sup>	2 1/4" <sup>1</sup>	2 1/2" <sup>1 2</sup>	2 1/2" <sup>1 2</sup>	2 1/2" <sup>1</sup>	2 3/4" <sup>1 2</sup>	2 3/4" <sup>1</sup>	3" <sup>1 2</sup>
22	2 1/4" <sup>1 2</sup>	2 1/4" <sup>1</sup>	2 1/4" <sup>1</sup>	2 1/4" <sup>1</sup>	2 1/4" <sup>1 2</sup>	2 1/2" <sup>1</sup>	2 1/2" <sup>1</sup>	2 3/4" <sup>1 2</sup>	2 3/4" <sup>1</sup>	3" <sup>1 2</sup>	3" <sup>1</sup>
25	2 1/4" <sup>1</sup>	2 1/2" <sup>1 2</sup>	2 1/2" <sup>1 2</sup>	2 1/2" <sup>1</sup>	2 1/2" <sup>1</sup>	2 3/4" <sup>1 2</sup>	2 3/4" <sup>1 2</sup>	2 3/4" <sup>1</sup>	3 1/2" <sup>1</sup>	3" <sup>1</sup>	3 1/4" <sup>1</sup>

1. Slightly Too Short
2. Add Extra (1) Flat Washer (Min. 3mm Thickness)
3. Use Threaded Rod

## 5/8" A325 Bolt - Flat Washer, Double Nut Combination

	3.2	4.8	6.4	7.9	9.5	11	13	16	19	22	25
3.2	1 3/4" <sup>1 2</sup>	1 3/4" <sup>1</sup>	1 3/4" <sup>1</sup>	2" <sup>1 2</sup>	2" <sup>1</sup>	2" <sup>1</sup>	2 1/4" <sup>1 2</sup>	2 1/4" <sup>1</sup>	2 1/4" <sup>1</sup>	2 1/2" <sup>1 2</sup>	2 3/4" <sup>1 2</sup>
4.8	1 3/4" <sup>1</sup>	1 3/4" <sup>1</sup>	2" <sup>1 2</sup>	2" <sup>1</sup>	2" <sup>1</sup>	2 1/4" <sup>1 2</sup>	2 1/4" <sup>1 2</sup>	2 1/4" <sup>1</sup>	2 1/2" <sup>1 2</sup>	2 1/2" <sup>1</sup>	2 3/4" <sup>1 2</sup>
6.4	1 3/4" <sup>1</sup>	2" <sup>1 2</sup>	2" <sup>1</sup>	2" <sup>1</sup>	2 1/4" <sup>1 2</sup>	2 1/4" <sup>1 2</sup>	2 1/4" <sup>1</sup>	2 1/2" <sup>1 2</sup>	2 1/2" <sup>1</sup>	2 3/4" <sup>1 2</sup>	2 3/4" <sup>1</sup>
7.9	2" <sup>1 2</sup>	2" <sup>1</sup>	2" <sup>1</sup>	2 1/4" <sup>1 2</sup>	2 1/4" <sup>1 2</sup>	2 1/4" <sup>1</sup>	2 1/4" <sup>1</sup>	2 1/2" <sup>1 2</sup>	2 1/2" <sup>1</sup>	2 3/4" <sup>1 2</sup>	2 3/4" <sup>1</sup>
9.5	2" <sup>1</sup>	2" <sup>1</sup>	2 1/4" <sup>1 2</sup>	2 1/4" <sup>1 2</sup>	2 1/4" <sup>1</sup>	2 1/4" <sup>1</sup>	2 1/2" <sup>1 2</sup>	2 1/2" <sup>1</sup>	2 3/4" <sup>1 2</sup>	2 3/4" <sup>1</sup>	3" <sup>1 2</sup>
11	2" <sup>1</sup>	2 1/4" <sup>1 2</sup>	2 1/4" <sup>1 2</sup>	2 1/4" <sup>1</sup>	2 1/4" <sup>1</sup>	2 1/2" <sup>1 2</sup>	2 1/2" <sup>1</sup>	2 1/2" <sup>1</sup>	2 3/4" <sup>1 2</sup>	3" <sup>1 2</sup>	3" <sup>1 2</sup>
13	2 1/4" <sup>1 2</sup>	2 1/4" <sup>1 2</sup>	2 1/4" <sup>1</sup>	2 1/4" <sup>1</sup>	2 1/2" <sup>1 2</sup>	2 1/2" <sup>1</sup>	2 1/2" <sup>1</sup>	2 3/4" <sup>1 2</sup>	2 3/4" <sup>1</sup>	3" <sup>1 2</sup>	3" <sup>1</sup>
16	2 1/4" <sup>1</sup>	2 1/4" <sup>1</sup>	2 1/2" <sup>1 2</sup>	2 1/2" <sup>1 2</sup>	2 1/2" <sup>1</sup>	2 1/2" <sup>1</sup>	2 3/4" <sup>1 2</sup>	2 3/4" <sup>1</sup>	3" <sup>1 2</sup>	3" <sup>1</sup>	3 1/4" <sup>1 2</sup>
19	2 1/4" <sup>1</sup>	2 1/2" <sup>1 2</sup>	2 1/2" <sup>1</sup>	2 1/2" <sup>1</sup>	2 3/4" <sup>1 2</sup>	2 3/4" <sup>1 2</sup>	2 3/4" <sup>1</sup>	3" <sup>1 2</sup>	3" <sup>1</sup>	3 1/4" <sup>1 2</sup>	3 1/4" <sup>1</sup>
22	2 1/2" <sup>1 2</sup>	2 1/2" <sup>1</sup>	2 3/4" <sup>1 2</sup>	2 3/4" <sup>1 2</sup>	2 3/4" <sup>1</sup>	3" <sup>1 2</sup>	3" <sup>1 2</sup>	3" <sup>1</sup>	3 1/4" <sup>1 2</sup>	3 1/4" <sup>1</sup>	3 1/2" <sup>1 2</sup>
25	2 3/4" <sup>1 2</sup>	2 3/4" <sup>1 2</sup>	2 3/4" <sup>1</sup>	2 3/4" <sup>1</sup>	3" <sup>1 2</sup>	3" <sup>1 2</sup>	3" <sup>1</sup>	3 1/4" <sup>1 2</sup>	3 1/4" <sup>1</sup>	3 1/2" <sup>1 2</sup>	3 1/2" <sup>1</sup>

1. Slightly Too Short
2. Add Extra (1) Flat Washer (Min. 3mm Thickness)
3. Use Threaded Rod

### 3/4" A325 Bolt - Flat Washer, Double Nut Combination

	3.2	4.8	6.4	7.9	9.5	11	13	16	19	22	25
3.2	None	None	None <sup>3</sup>	None <sup>3</sup>	2 1/4" <sup>1 2</sup>	2 1/4" <sup>1 2</sup>	2 1/4" <sup>1</sup>	2 1/2" <sup>1 2</sup>	2 1/2" <sup>1</sup>	2 1/2" <sup>1</sup>	2 3/4" <sup>1</sup>
4.8	None	None	None	2 1/4" <sup>1 2</sup>	2 1/4" <sup>1 2</sup>	2 1/4" <sup>1</sup>	2 1/4" <sup>1</sup>	2 1/2" <sup>1 2</sup>	2 1/2" <sup>1</sup>	None <sup>3</sup>	2 3/4" <sup>1</sup>
6.4	None	None	2 1/4" <sup>1 2</sup>	2 1/4" <sup>1 2</sup>	2 1/4" <sup>1</sup>	None <sup>3</sup>	2 1/2" <sup>1 2</sup>	2 1/2" <sup>1</sup>	2 3/4" <sup>1 2</sup>	2 3/4" <sup>1</sup>	3" <sup>1 2</sup>
7.9	None	2 1/4" <sup>1 2</sup>	2 1/4" <sup>1 2</sup>	2 1/4" <sup>1</sup>	2 1/4" <sup>1</sup>	2 1/2" <sup>1 2</sup>	None <sup>3</sup>	2 1/2" <sup>1</sup>	None <sup>3</sup>	3" <sup>1 2</sup>	None <sup>3</sup>
9.5	2 1/4" <sup>1 2</sup>	2 1/4" <sup>1 2</sup>	2 1/4" <sup>1</sup>	2 1/4" <sup>1</sup>	2 1/2" <sup>1 2</sup>	None <sup>3</sup>	1 1/2" <sup>1</sup>	2 3/4" <sup>1 2</sup>	2 3/4" <sup>1</sup>	3" <sup>1 2</sup>	3" <sup>1</sup>
11	2 1/4" <sup>1 2</sup>	2 1/4" <sup>1</sup>	None <sup>3</sup>	2 1/2" <sup>1 2</sup>	None <sup>3</sup>	2 1/2" <sup>1</sup>	2 3/4" <sup>1 2</sup>	None <sup>3</sup>	3" <sup>1 2</sup>	None <sup>3</sup>	None <sup>3</sup>
13	2 1/4" <sup>1</sup>	2 1/4" <sup>1</sup>	2 1/2" <sup>1 2</sup>	None <sup>3</sup>	2 1/2" <sup>1</sup>	2 3/4" <sup>1 2</sup>	2 3/4" <sup>1 2</sup>	2 3/4" <sup>1</sup>	3" <sup>1 2</sup>	3" <sup>1</sup>	None <sup>3</sup>
16	2 1/2" <sup>1 2</sup>	2 1/2" <sup>1 2</sup>	2 1/2" <sup>1</sup>	2 1/2" <sup>1</sup>	2 3/4" <sup>1 2</sup>	None <sup>3</sup>	2 3/4" <sup>1</sup>	None <sup>3</sup>	3" <sup>1</sup>	3 1/4" <sup>1 2</sup>	3 1/4" <sup>1</sup>
19	2 1/2" <sup>1</sup>	2 1/2" <sup>1</sup>	2 3/4" <sup>1 2</sup>	None <sup>3</sup>	2 3/4" <sup>1</sup>	3" <sup>1 2</sup>	3" <sup>1 2</sup>	3" <sup>1</sup>	3 1/4" <sup>1 2</sup>	3 1/4" <sup>1 2</sup>	3 1/2" <sup>1 2</sup>
22	2 1/2" <sup>1</sup>	None <sup>3</sup>	2 3/4" <sup>1</sup>	3" <sup>1 2</sup>	3" <sup>1 2</sup>	None <sup>3</sup>	3" <sup>1</sup>	3 1/4" <sup>1 2</sup>	3 1/4" <sup>1 2</sup>	None <sup>3</sup>	None <sup>3</sup>
25	2 3/4" <sup>1</sup>	2 3/4" <sup>1</sup>	3" <sup>1 2</sup>	None <sup>3</sup>	3" <sup>1</sup>	None <sup>3</sup>	None <sup>3</sup>	3 1/4" <sup>1</sup>	3 1/2" <sup>1 2</sup>	None <sup>3</sup>	None <sup>3</sup>

1. Slightly Too Short
2. Add Extra (1) Flat Washer (Min. 3mm Thickness)
3. Use Threaded Rod

## 1/2" A325 Bolt - Flat Washer, Nut Combination (Excluding LW)

	3.2	4.8	6.4	7.9	9.5	11	13	16	19	22	25
3.2	N/A	N/A	N/A	1 1/2"	1 1/2"	1 1/2"	1 3/4"	1 3/4"	2"	2"	2"
4.8	N/A	N/A	1 1/2"	1 1/2"	1 1/2"	1 1/2"	1 3/4"	1 3/4"	2"	2"	2"
6.4	N/A	1 1/2"	1 1/2"	1 1/2"	1 1/2"	1 3/4"	1 3/4"	2"	2"	2"	2 1/4"
7.9	1 1/2"	1 1/2"	1 1/2"	1 1/2"	1 3/4"	1 3/4"	1 3/4"	2"	2"	2"	2 1/4"
9.5	1 1/2"	1 1/2"	1 1/2"	1 3/4"	1 3/4"	1 3/4"	2"	2"	2"	2 1/4"	2 1/4"
11	1 1/2"	1 1/2"	1 3/4"	1 3/4"	1 3/4"	2"	2"	2"	2 1/4"	2 1/4"	2 1/2"
13	1 3/4"	1 3/4"	1 3/4"	1 3/4"	2"	2"	2"	2"	2 1/4"	2 1/2"	2 1/2"
16	1 3/4"	1 3/4"	2"	2"	2"	2"	2"	2 1/4"	2 1/2"	2 1/2"	2 1/2"
19	2"	2"	2"	2"	2"	2"	2 1/4"	2 1/2"	2 1/2"	2 1/2"	2 3/4"
22	2"	2"	2"	2"	2 1/4"	2 1/4"	2 1/2"	2 1/2"	2 1/2"	2 3/4"	3"
25	2"	2"	2 1/4"	2 1/4"	2 1/4"	2 1/2"	2 1/2"	2 1/2"	2 3/4"	3"	3"

1. Slightly Too Short
2. Add Extra (1) Flat Washer (Min. 3mm Thickness)
3. Use Threaded Rod

## 5/8" A325 Bolt - Flat Washer, Nut Combination (Excluding LW)

	3.2	4.8	6.4	7.9	9.5	11	13	16	19	22	25
3.2	N/A	N/A	N/A	1 3/4"	1 3/4"	1 3/4"	1 3/4"	2"	2"	2 1/4"	2 1/2"
4.8	N/A	N/A	1 3/4"	1 3/4"	1 3/4"	1 3/4"	1 3/4"	2"	2 1/4"	2 1/4"	2 1/2"
6.4	N/A	1 3/4"	1 3/4"	1 3/4"	1 3/4"	1 3/4"	2"	2"	2 1/4"	2 1/2"	2 1/2"
7.9	1 3/4"	1 3/4"	1 3/4"	1 3/4"	1 3/4"	2"	2"	2 1/4"	2 1/4"	2 1/2"	2 3/4"
9.5	1 3/4"	1 3/4"	1 3/4"	1 3/4"	2"	2"	2"	2 1/4"	2 1/2"	2 1/2"	2 3/4"
11	1 3/4"	1 3/4"	1 3/4"	2"	2"	2"	2 1/4"	2 1/4"	2 1/2"	2 3/4"	2 3/4"
13	1 3/4"	1 3/4"	2"	2"	2"	2 1/4"	2 1/4"	2 1/2"	2 1/2"	2 3/4"	2 3/4"
16	2"	2"	2"	2 1/4"	2 1/4"	2 1/2"	2 1/2"	2 1/2"	2 3/4"	2 3/4"	3"
19	2"	2 1/4"	2 1/4"	2 1/4"	2 1/2"	2 1/2"	2 1/2"	2 3/4"	2 3/4"	3"	3"
22	2 1/4"	2 1/4"	2 1/2"	2 1/2"	2 1/2"	2 3/4"	2 3/4"	2 3/4"	3"	3"	3"
25	2 1/2"	2 1/2"	2 1/2"	2 3/4"	2 3/4"	2 3/4"	2 3/4"	3"	3"	3"	3"

1. Slightly Too Short
2. Add Extra (1) Flat Washer (Min. 3mm Thickness)
3. Use Threaded Rod

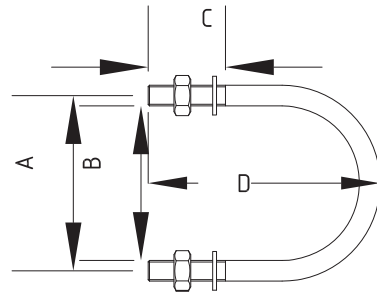
### 3/4" A325 Bolt - Flat Washer, Nut Combination (Excluding LW)

	3.2	4.8	6.4	7.9	9.5	11	13	16	19	22	25
3.2	N/A	N/A	N/A	N/A	N/A	2 1/4"	2 1/4"	2 1/2"	2 1/2"	2 1/2"	2 1/2"
4.8	N/A	N/A	N/A	N/A	2 1/4"	2 1/4"	2 1/4"	2 1/2"	2 1/2"	2 1/2"	2 1/2"
6.4	N/A	N/A	N/A	2 1/4"	2 1/4"	2 1/4"	2 1/2"	2 1/2"	2 1/2"	2 1/2"	2 1/2"
7.9	N/A	N/A	2 1/4"	2 1/4"	2 1/4"	2 1/4"	2 1/2"	2 1/2"	2 1/2"	2 1/2"	3"
9.5	N/A	2 1/4"	2 1/4"	2 1/4"	2 1/4"	2 1/2"	2 1/2"	2 1/2"	2 1/2"	2 1/2"	3"
11	2 1/4"	2 1/4"	2 1/4"	2 1/4"	2 1/2"	2 1/2"	2 1/2"	2 1/2"	2 1/2"	3"	3"
13	2 1/4"	2 1/4"	2 1/2"	2 1/2"	2 1/2"	2 1/2"	2 1/2"	2 1/2"	2 1/2"	3"	3"
16	2 1/2"	2 1/2"	2 1/2"	2 1/2"	2 1/2"	2 1/2"	2 1/2"	2 1/2"	3"	3"	3"
19	2 1/2"	2 1/2"	2 1/2"	2 1/2"	2 1/2"	2 1/2"	2 1/2"	3"	3"	3"	3"
22	2 1/2"	2 1/2"	2 1/2"	2 1/2"	2 1/2"	3"	3"	3"	3"	3"	3"
25	2 1/2"	2 1/2"	2 1/2"	3"	3"	3"	3"	3"	3"	3"	3"

1. Slightly Too Short
2. Add Extra (1) Flat Washer (Min. 3mm Thickness)
3. Use Threaded Rod

### 5/8" U-Bolt Information


This section provides more detailed dimensions for U-Bolts. Please note that stock u-bolts are available in the Hardware section.



LEG SIZE	PART NUMBER	A	B	C	D	ROD LENGHT	IMPERIAL C/C
38	111020	58	42	65	90	230	2 1/4"
44	1110407	64	48	65	98	248	2 1/2"
51	110991	70	54	65	104	264	2 3/4"
57	110992	76	60	65	110	279	3"
64	110993	84	68	65	118	300	3 1/4"
70	110994	88	72	65	122	310	3 1/2"
73	111175	91	75	65	126	320	3 5/8"
76	110263	96	80	65	130	330	3 3/4"
83	110264	102	86	65	136	346	4"
89	110592	108	92	65	142	362	4 1/4"
95	110265	114	98	65	148	377	4 1/2"
102	110266	122	106	65	155	396	4 3/4"
108	110267	128	112	65	160	412	5"
114	110268	132	116	75	165	421	5 3/16"
114	110359	134	118	65	168	428	5 1/4"
121	110269	140	124	65	174	444	5 1/2"
127	110270	146	130	65	180	460	5 3/4"
133	110271	152	136	65	186	475	6"

LEG SIZE	PART NUMBER	A	B	C	D	ROD LENGTH	IMPERIAL C/C
140	110272	160	144	65	194	494	6 1/4"
146	110273	166	150	65	200	510	6 1/2"
152	110274	172	156	65	205	525	6 3/4"
158	110275	178	162	65	212	540	7"
165	110276	184	168	65	218	557	7 1/4"
171	110277	190	174	65	224	572	7 1/2"
178	110278	198	182	65	230	590	7 3/4"
184	110279	204	188	65	238	607	8"
191	110280	210	194	65	244	624	8 1/4"
197	110281	216	200	65	250	640	8 1/2"
203	110282	222	206	65	256	655	8 3/4"
210	110283	230	214	65	264	672	9"
216	110284	236	220	65	270	687	9 1/4"
222	110285	242	226	65	275	705	9 1/2"
229	110286	248	232	65	282	722	9 3/4"
235	110287	256	240	65	290	742	10"
254	111032	273	257	65	310	792	10 3/4"

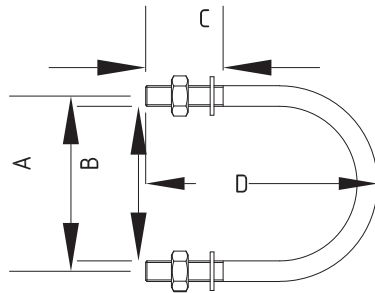
- NOTES:  
 1-ROD TO BE 5/8Ø 300W.  
 2-HEX NUTS CONFORMING TO S.A.E. GRADE 2.  
 3-SPRING LOCK WASHERS TO ANCI STANDARD B27.1.  
 4-FLAT WASHERS TO SAE STANDARDS  
 5-THREADS : UNIFIED STANDARD SERIES UNC CLASS 2A  
 6-ALL MATERIAL TO BE HOT DIPPED GALVANIZED  
 TO ASTM A153 CLASS C OR MECHANICALLY TO ASTM B965 CLASS 50  
 7-U BOLT ARE ASSEMBLID WITH (2) NUTS (2)FLAT WASHERS, (2) SPLIT LOCK WASHERS.  
 8-ROD LENGTHS APPROXIMATE  
 9-ALL THREADS ARE UNC ROLLED.

 GORD Telecom Towers 129 Delta Park Blvd., Brampton Ontario L6T 5M8, Canada Tel. 905-791-5800, Fax. 905-791-3325 www.gordtelecom.com		CUSTOMER: _____	
		TITLE : 5/8" U-BOLT TABLE	
DRAWN BY: S.A.	SCALE:	REV DATE: 2014	
CHK'D BY: S.S.	DWG. No.	REV	
MANUF: APR J.SH.	U-Bolt Information		00
SALES: APR			



### 1/2" U-Bolt Information


This section provides more detailed dimensions for U-Bolts. Please note that stock u-bolts are available in the Hardware section.



LEG SIZE	PART NUMBER	A	B	C	D	ROD LENGTH	IMPERIAL C/C
25	110465	40	27	55	75	186	1 9/16"
31	110623	44	31	35	65	170	1 3/4"
38	110520	51	38	55	90	222	2"
43	110254	56	43	60	95	235	2 3/16"
45	111140	58	45	60	95	236	2 5/16"
47	110680	60	47	65	100	255	2 3/8"
51	110255	70	57	60	108	270	2 3/4"
64	110256	76	64	64	121	300	3"
73	110257	87	75	75	132	327	3 7/16"
89	110258	103	90	75	146	365	4 1/16"
102	110259	116	105	80	146	370	4 9/16"
114	110260	128	116	75	172	430	5 1/16"

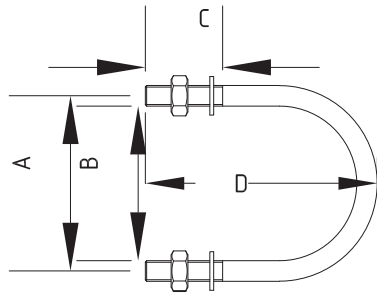
#### NOTES?

- 1-ROD TO BE 5/8Ø 300W.
- 2-HEX NUTS CONFORMING TO S.A.E. GRADE 2.
- 3-SPRING LOCK WASHERS TO ANCI STANDARD B27.1.
- 4-FLAT WASHERS TO SAE STANDARDS
- 5-THREADS : UNIFIED STANDARD SERIES UNC CLASS 2A
- 6-ALL MATERIAL TO BE HOT DIPPED GALVANIZED  
TO ASTM A153 CLASS C OR MECHANICALLY TO ASTM B965 CLASS 50
- 7-U BOLT ARE ASSEMBLID WITH (2) NUTS (2)FLAT WASHERS, (2) SPLIT LOCK WASHERS.
- 8-ROD LENGTHS APPROXIMATE
- 9-ALL THREADS ARE UNC ROLLED.

 <b>GORD Telecom Towers</b> 129 Delta Park Blvd., Brampton Ontario L6T 5M8, Canada Tel. 905-791-5800, Fax. 905-791-3325 www.gordtelecom.com		CUSTOMER:		-
		TITLE :		1/2" U-BOLT TABLE
DRAWN BY	S.A.	SCALE:	REV DATE: 2014	
CHK'D BY	S.S.	DWG. No.	REV.	
MANUF.APR	J.SH.	U-Bolt Information		00
SALES.APR				

### 3/8" U-Bolt Information

This section provides more detailed dimensions for U-Bolts. Please note that stock u-bolts are available in the Hardware section.



#### NOTES?

- 1-ROD TO BE 5/8Ø 300W.
- 2-HEX NUTS CONFORMING TO S.A.E. GRADE 2.
- 3-SPRING LOCK WASHERS TO ANCI STANDARD B27.1.
- 4-FLAT WASHERS TO SAE STANDARDS
- 5-THREADS : UNIFIED STANDARD SERIES UNC CLASS 2A
- 6-ALL MATERIAL TO BE HOT DIPPED GALVANIZED  
TO ASTM A153 CLASS C OR MECHANICALLY TO ASTM B965 CLASS 50
- 7-U BOLT ARE ASSEMBLID WITH (2) NUTS (2)FLAT WASHERS, (2) SPLIT LOCK WASHERS.
- 8-ROD LENGTHS APPROXIMATE
- 9-ALL THREADS ARE UNC ROLLED.



GORD Telecom Towers  
129 Delta Park Blvd., Brampton  
Ontario L6T 5M8, Canada  
Tel. 905-791-5800, Fax. 905-791-3325  
www.gordtelecom.com

CUSTOMER: -

TITLE :

3/8" U-BOLT TABLE

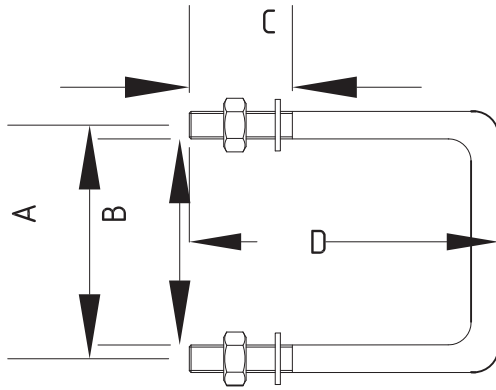
DRAWN BY	S.S.	SCALE:	REV DATE: 2014
CHK'D BY	S.S.	DWG. No.	REV
MANUF.APR	J.SH.	U-Bolt Information	
SALES.APR			00

LEG SIZE	PART NUMBER	A	B	C	D	ROD LENGTH	IMPERIAL C/C
13	110246	25	16	22	38	100	1"
19	110247	32	22	32	51	130	1 1/4"
29	111115	38	29	32	49	129	1 1/2"
31	110248	41	32	44	70	172	1 5/8"
43	110249	52	43	51	76	192	2 1/16"
51	110251	60	51	64	100	244	2 3/8"
61	110252	72	62	64	113	277	2 13/16"
89	110545	102	92	102	148	364	4"

## 1/2" Square U-Bolt Information

This section provides more detailed dimensions for Square U-Bolts. Please note that stock u-bolts are available in the Hardware section.


Square U-Bolts only come in 1/2" thickness.



### NOTES?

- 1-ROD TO BE 1/2Ø 300W.
- 2-HEX NUTS CONFORMING TO S.A.E. GRADE 2.
- 3-SPRING LOCK WASHERS TO ANCI STANDARD B27.1.
- 4-FLAT WASHERS TO SAE STANDARDS
- 5-THREADS : UNIFIED STANDARD SERIES UNC CLASS 2A
- 6-ALL MATERIAL TO BE HOT DIPPED GALVANIZED  
TO ASTM A153 CLASS C OR MECHANICALLY TO ASTM B965 CLASS 50
- 7-U BOLT ARE ASSEMBLID WITH (2) NUTS (2)FLAT WASHERS, (2) SPLIT LOCK WASHERS.
- 8-ROD LENGTHS APPROXIMATE
- 9-ALL THREADS ARE UNC ROLLED.

LEG SIZE	PART NUMBER	A	B	C	D
76	SQ76	91	78	76	164
89	SQ89	104	91	76	177
102	SQ102	117	104	76	190
114	SQ114	129	116	76	202

		GORD Telecom Towers 129 Delta Park Blvd., Brampton Ontario L6T 5M8, Canada Tel. 905-791-5800, Fax. 905-791-3325 www.gordtelecom.com	
		CUSTOMER: -	
TITLE :			
1/2" SQUARE U-BOLT TABLE			
DRAWN BY	S.A	SCALE:	REV DATE: 2014
CHK'D BY	S.S.	DWG. No.	REV
MANUF. APR	J.SH.	U-Bolt Information	
SALES. APR			